

ELKAY® SPECIFICATIONS

Lustertone® Single Bowl Sink Models LR2522, LRQ2522 and LRAD2522, LRADQ2522 - A.D.A. Compliant Series Sink

GENERAL

Highest quality sink seamlessly formed of #18 (1.2mm) gauge, type 304 (18-8) nickel bearing stainless steel. Self-rimming.

DESIGN FEATURES

LR(Q)2522 Bowl Depth: 8-1/8" (203mm).

LRAD(Q)2522 Bowl Depth: 4" (102mm), 4-1/2" (114mm), 5" (127mm), 5-1/2" (140mm), 6" (152mm) or 6-1/2" (165mm).

Coved Corners: 1-3/4" (44mm) vertical and horizontal radius.

Bowl Recess: 3/8" (10mm) drop ledge with a raised faucet deck.

Finish: Exposed surfaces are hand blended to a lustrous highlighted satin finish.

Underside: LR(Q)2522 is fully protected by heavy duty Sound Guard® undercoating to dampen sound and prevent condensation. LRAD(Q)2522 is fully undercoated to dampen sound and prevent condensation.

OTHER

LR(Q)2522 Drain Opening: 3-1/2" (89mm) and centered in bowl as illustrated.

LRAD(Q)2522 Drain Opening: 3-1/2" (89mm) and located centered left-to-right and off-center front-to-back as illustrated.

NOTE: Unless otherwise specified sink is furnished with 4 faucet holes as shown.

OPTIONAL ACCESSORIES

Rinsing Baskets: LKRB1520 or LKERBSS.

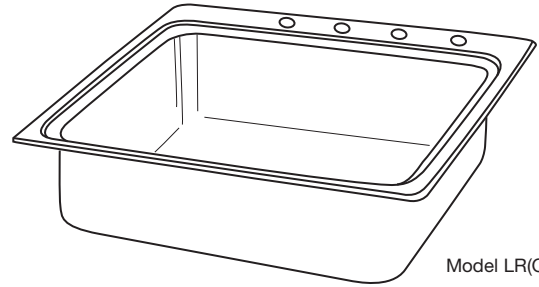
Bottom Grids: LKBG2015 for LR(Q)2522, LKOBG2015 for LRAD(Q)2522.

Cutting Boards: CB1516 or CB1713.

These sinks comply with ASME A112.19.3.

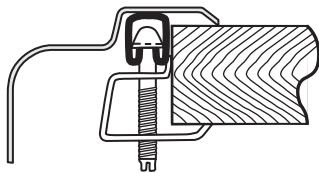


These sinks are listed by the International Association of Plumbing and Mechanical Officials as meeting the requirements of the Uniform Plumbing Code.

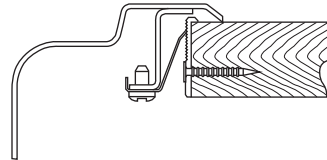


Model LR(Q)25224

U-Channel Type Mounting System



Quick-Clip® Mounting System



SEE OTHER SIDE FOR PRODUCT DIMENSIONS.

THIS PRODUCT, AS CONSTRUCTED IS SUBJECT TO INTERPRETATION OF A.D.A. REQUIREMENTS.
THE UNOBSTRUCTED KNEE SPACE REQUIRED TO SATISFY A.D.A. STANDARDS MAY NOT BE DESIRABLE.

In keeping with our policy of continuing product improvement, Elkay reserves the right to change product specifications without notice. Please visit elkayusa.com for most current version of Elkay product specification sheets.

This specification describes an Elkay product with design, quality and functional benefits to the user. When making a comparison of other producers' offerings, be certain these features are not overlooked.

Elkay

elkayusa.com

2222 Camden Court
Oak Brook, IL 60523

Printed in U.S.A.
©2009 Elkay

(Rev. 12/09) 1-611

Lustertone® Single Bowl Sink
Models LR2522, LRQ2522 and LRAD2522,
LRADQ2522 - A.D.A. Compliant Series Sink

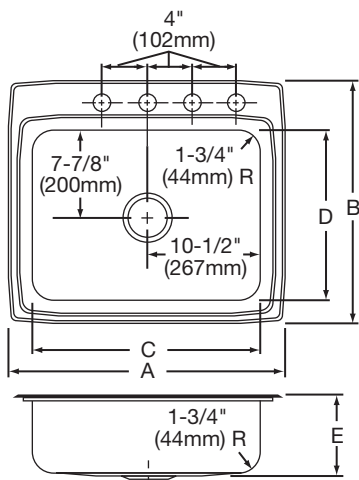
ELKAY®
SPECIFICATIONS

SINK DIMENSIONS*

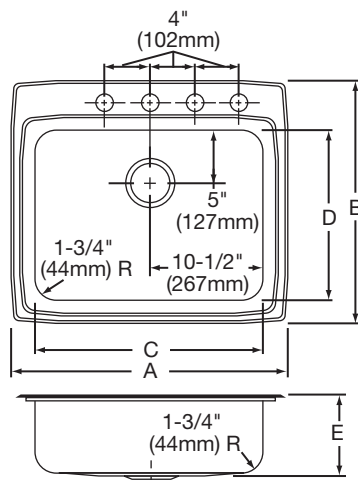
U-Channel Model Number	Quick-Clip® Model Number	Overall		Inside Bowl			Cutout in Countertop (1 1/2" [38mm] Radius Corners)		No. of 1 1/2" (38mm) Dia. Faucet Holes 4" (102mm) Center	3 1/2" (89mm) Drain" Opening (see above for details)	Minimum Cabinet Size
		L	W	L	W	D	L	W			
		A	B	C	D	E	L	W			
LR2522	LRQ2522	25 (635mm)	22 (559mm)	21 (533mm)	15 3/4 (400mm)	8 1/8 (206mm)	24 3/8 (619mm)	21 3/8 (543mm)	1, 2, MR2, 3, 4 or 5	Centered	30 (762mm)
LRAD2522	LRADQ2522	25 (635mm)	22 (559mm)	21 (533mm)	15 3/4 (400mm)	**	24 3/8 (619mm)	21 3/8 (543mm)	1, 2, MR2, 3, 4 or 5	Off-Centered	30 (762mm)

*Length is left to right. Width is front to back.

**Available in 4" (102mm), 4-1/2" (114mm), 5" (127mm), 5-1/2" (140mm), 6" (152mm) and 6-1/2" (165mm) depths. Please consult your sales representative for other depths or modifications.



Model LR(Q)25224 Illustrated



Model LRAD(Q)25224 Illustrated

HOLE DRILLING CONFIGURATIONS

