

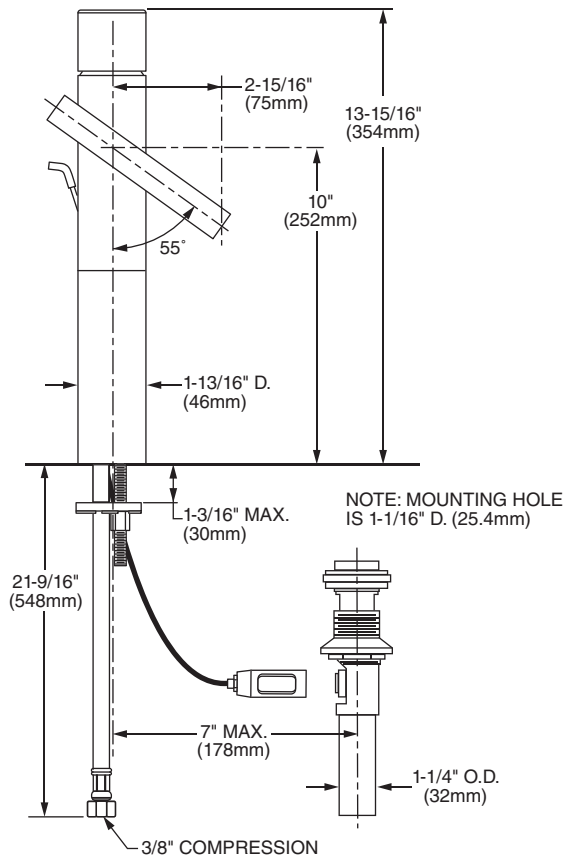


### Features:

- Designed for above counter lavatories less than 6" (152mm) in height
- Available with and without Speed Connect® 1-1/4" drain assembly, and large European-styled drain cap
- Lead Free - Faucet contains ≤ 0.25% total lead content by weighted volume
- Maximum Flow Rate: 1.5 GPM (5.7L/min)

	Product Number
Vessel Faucet	841/701

Available Finishes:	Finish Code
Polished Chrome	100
Brushed Nickel	144
Platinum Nickel	150



**IMPORTANT:** These measurements are subject to change or cancellation. No responsibility is assumed for use of superseded or voided pages.

## CODES & STANDARDS

These products meet and exceed the following codes and standards:

**ASME A112.18.1**

**CSA B125**

**NSF 61/Section 9**

**Compliant with 0.25% weighted average lead content regulations**

**EPA WaterSense® High Efficiency Lavatory Faucet Specification**

