



### Features:

- Cast brass spout and valves
- Ceramic disc valve cartridge
- Adjustable hot limit safety stop
- Pressure Balance cartridge maintains constant output temperature in response to changes in relative hot and cold supply pressures
- Integral diverter
- Multi-functional showerhead
- Available with Knob or Lever Handle

Pictured: 822/400 Tub & Shower Set with Knob Handle

Showerhead Maximum Flow Rate: 2.5 GPM (9.5L/min)

Kit Options	Handle Type	Product Number
Tub & Shower Set	Knob	822/400
Tub & Shower Set	Lever	822/401
PB Diverter Valve Set	Knob	822/140
PB Diverter Valve Set	Lever	822/141



Rough & Trim Options	Handle Type	Product Number
Tub & Shower Set Trim Only*	Knob	822/495
Tub & Shower Set Trim Only*	Lever	822/496
PB Diverter Valve Set Trim Only**	Knob	822/545
PB Diverter Valve Set Trim Only**	Lever	822/546
Showerhead Only		822/083
Tub Spout Only		822/017
Rough Only		899/261/191



\* Includes Pressure Balance Diverter Valve Trim, Showerhead & Tub Spout

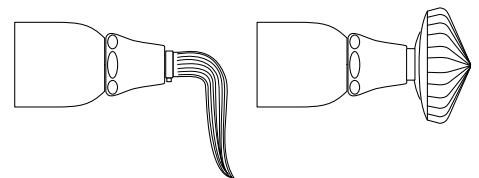
\*\*Pressure Balance Diverter Valve Trim Only

Extension Kits	Product Number
PB Handle Extension Kit	A3195.191
PB Diverter Extension Kit	A3196.191

ROUGH-IN DIAGRAM SHOWN ON REVERSE SIDE

Available Finishes:	Finish Code
Old Bronze	105
Gold	109
Brushed Nickel	144
Platinum Nickel	150
Antique Nickel	444

### Handle Options:



Lever Handle

Knob Handle

### CODES & STANDARDS

These products meet and exceed the following codes and standards:

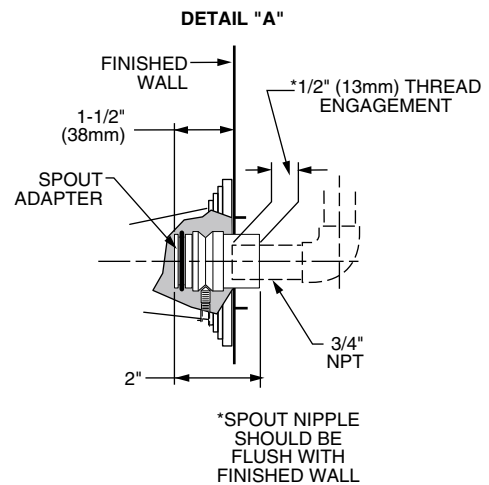
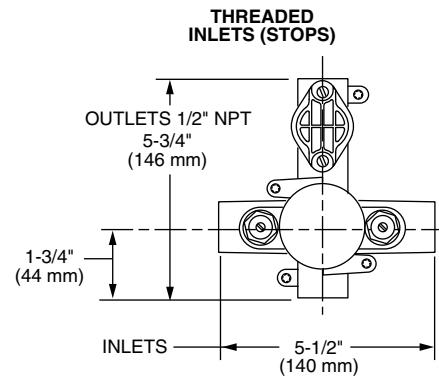
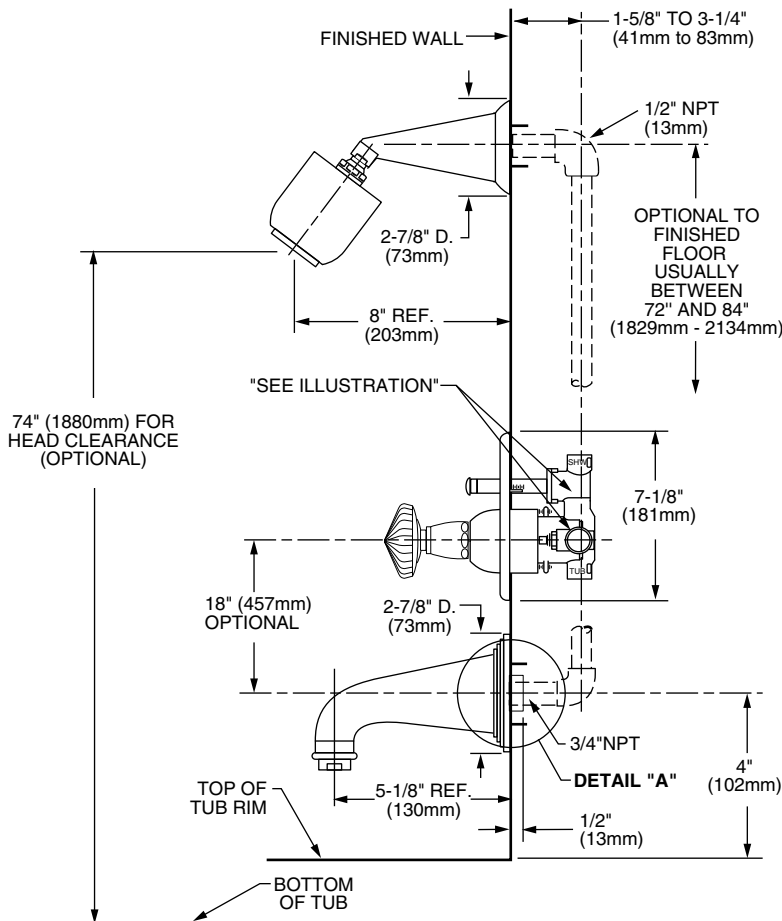
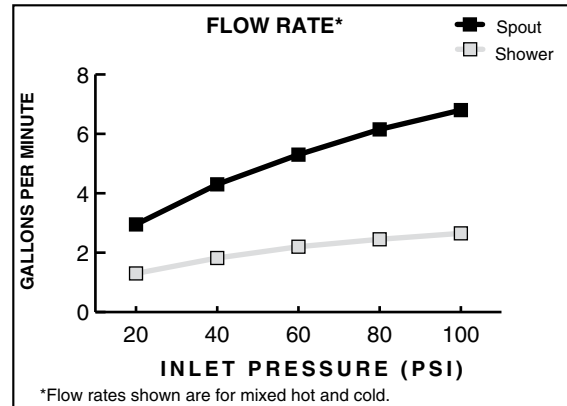
**ASME A112.18.1**

**CSA B125**

**ASSE1016**



Meets the American Disabilities Act Guidelines and **ANSI A117.1** Requirements for the physically challenged.



**IMPORTANT:** These measurements are subject to change or cancellation. No responsibility is assumed for use of superseded or voided pages.