

JOB NAME

ITEM NO.

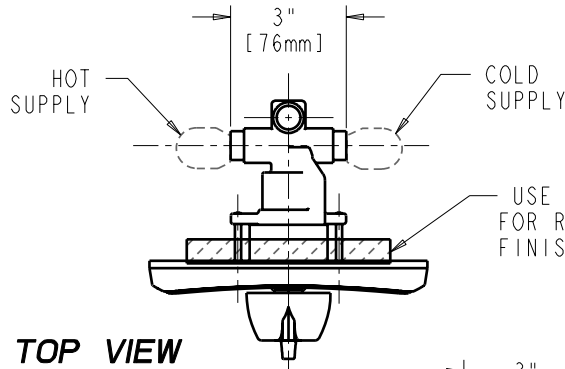
SUBMITTED AS SHOWN

SUBMITTED AS NOTED

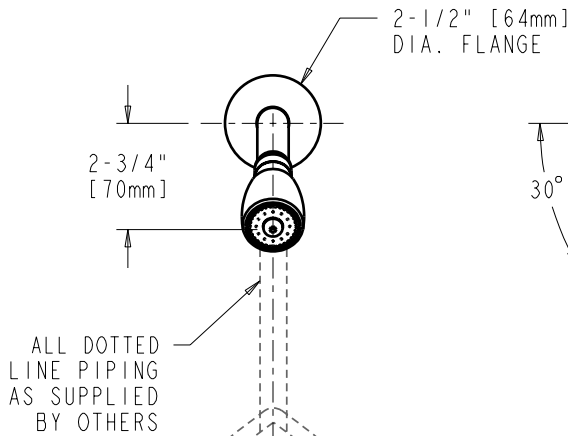
SEE ATTACHED FOR
SUBMITTED MODIFICATION



ADA COMPLIANT

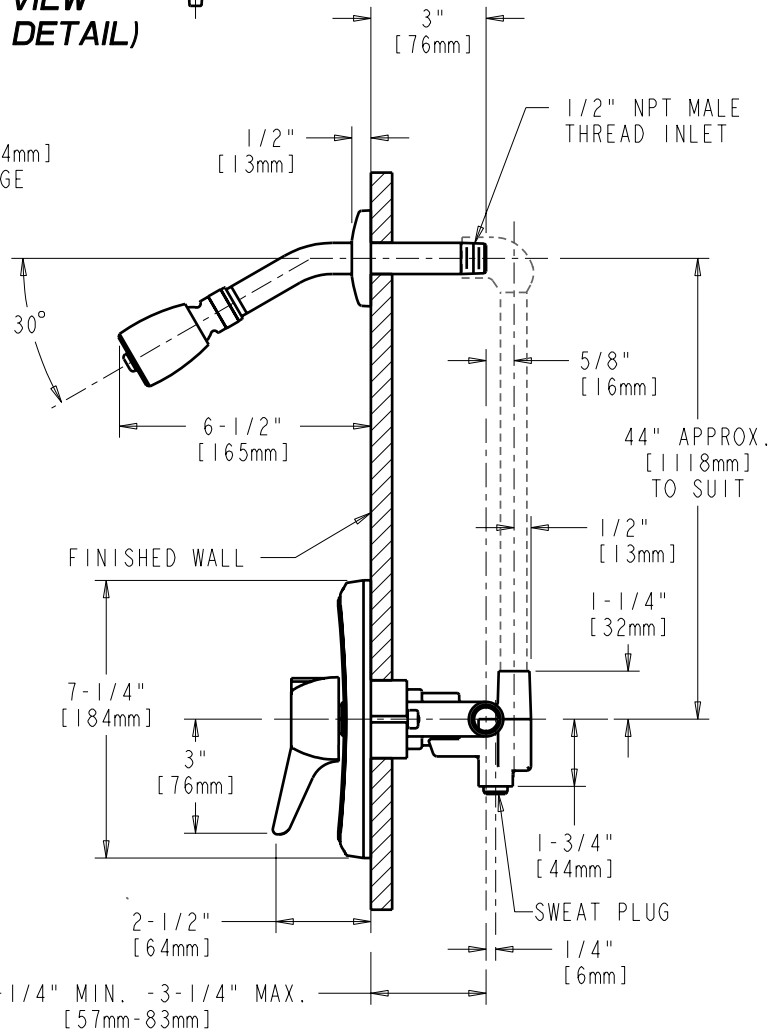


**TOP VIEW
(VALVE DETAIL)**



ALL DOTTED
LINE PIPING
AS SUPPLIED
BY OTHERS

ALTERNATE POSITION
OF COVER PLATE



NOTE - CONTROL VALVE:

1. 1/2" (5/8" OD) NOMINAL COPPER HOT AND COLD SUPPLY INLETS.
2. 1/2" (5/8" OD) NOMINAL COPPER HOT AND COLD SUPPLY OUTLETS.

TECHNICAL DATA

- BUILT-IN PRESSURE BALANCING SHOWER VALVE
- 239 LEVER HANDLE
- PRESSURE BALANCING CARTRIDGE
- SHOWER VALVE CYCLES FROM COLD TO HOT
- FINISH: CHROME PLATE

- 620A SHOWER HEAD, ARM AND FLANGE
- 2.5 GPM [9.5 L/min.] MAX. FLOW RATE
- ASME A112.18.1M COMPLIANT
- CSA B125 COMPLIANT
- ASSE 1016 COMPLIANT

DATE: 5-2-02

BY: JAR

CHK'D:

APP'D:

REV: 08-02-05

1762

ROUGHING IN DIMENSIONS MAY VARY AND ARE SUBJECT TO CHANGE. NO RESPONSIBILITY IS ASSUMED FOR USE OF SUPERCEDED OR VOIDED DATA.