

❖ 26020 - Center Hole Lavatory

- Designed for small and unique spaces
- Fine Fire Clay construction
- Includes overflow
- Available as center hole only
- ADA compliant

Nominal Dimensions:

16" x 16" x 4-3/4"
(406 x 406 x 121mm)

Bowl Inside Dimensions:

13-1/2" (345mm) wide
9-1/2" (240mm) front to back
4" (100mm) depth

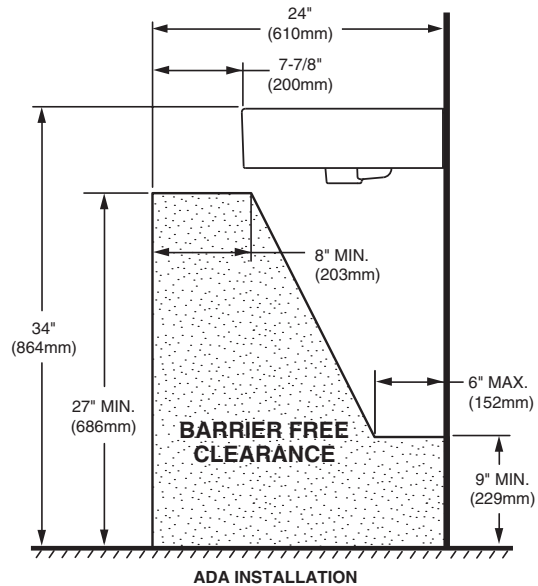
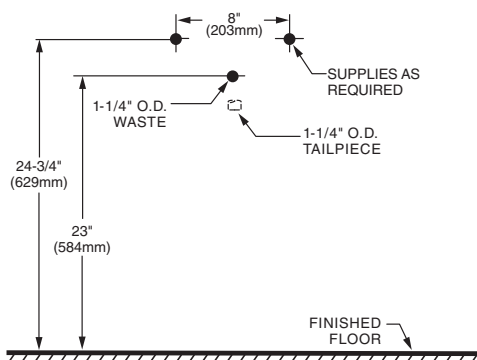
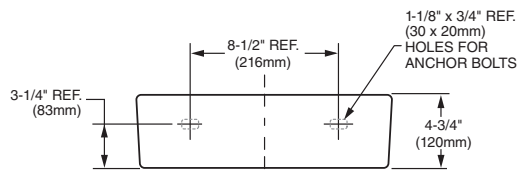
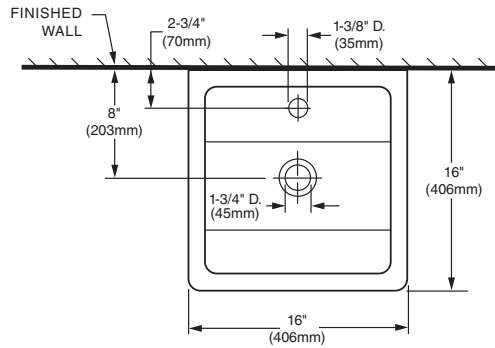
Basin Colors:



White
001



ROUGH IN DIAGRAM SHOWN
ON REVERSE SIDE



NOTES:
DIMENSIONS SHOWN FOR LOCATION OF SUPPLIES AND "P" TRAP ARE SUGGESTED.
PROVIDE SUITABLE REINFORCEMENT FOR ALL WALL SUPPORTS.
BRACKET SUPPORTS AND MOUNTING FEATURES TO BE FURNISHED BY OTHERS.
FITTINGS NOT INCLUDED AND MUST BE ORDERED SEPARATELY.

IMPORTANT: Dimensions of fixtures are nominal and may vary within the range of tolerances established by applicable ASME standards. These measurements are subject to change or cancellation. No responsibility is assumed for use of superseded or voided pages.

To Be Specified:

- Color:
- Faucet:
- Faucet Finish:
- Supplies:
- 1-1/4" Trap:

Compliance Certifications:

- Meets or Exceeds ASME A112.19.2 / CSA B45.1