



IF PARTS ARE MISSING AND OR DEFECTIVE, IF INSTRUCTIONS ARE NOT CLEAR
OR IF YOU ARE EXPERIENCING PROBLEMS ASSEMBLING OUR PRODUCT.

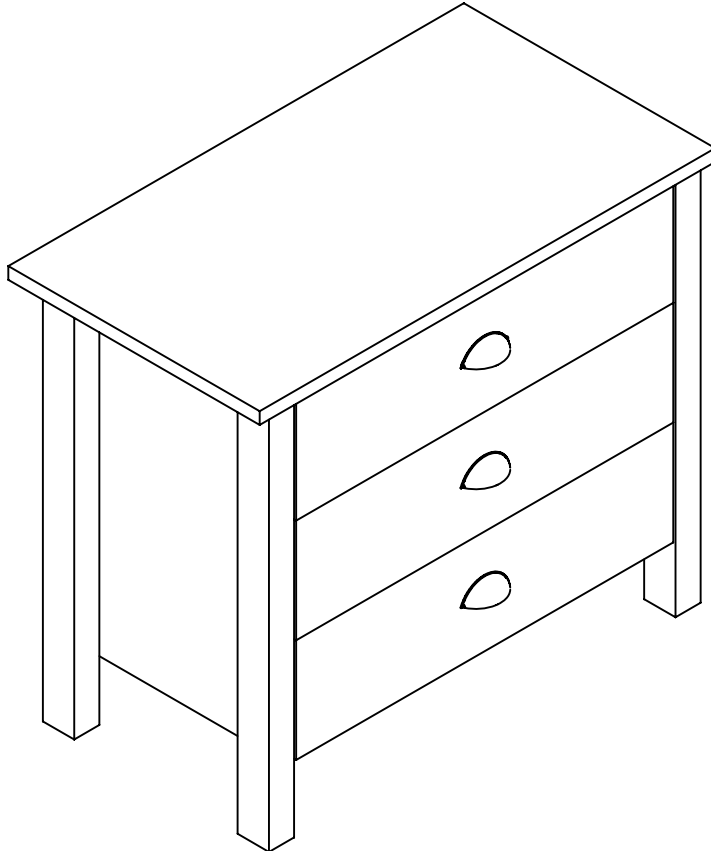
**BEFORE YOU RETURN THE PRODUCT TO THE STORE,
PLEASE CALL US TOLL FREE FOR CUSTOMER SERVICE ASSISTANCE**

(888) 777-8250

OR SEND US EMAIL AT

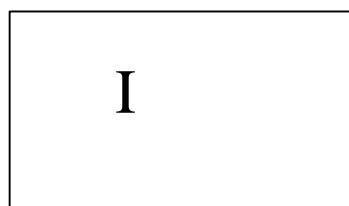
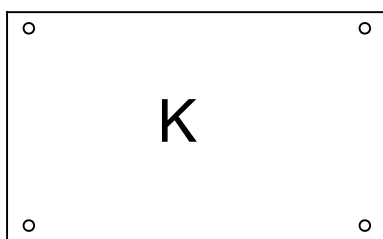
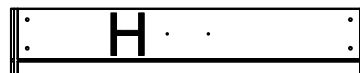
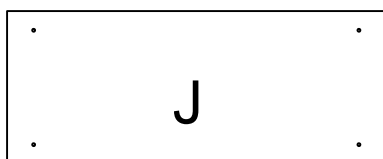
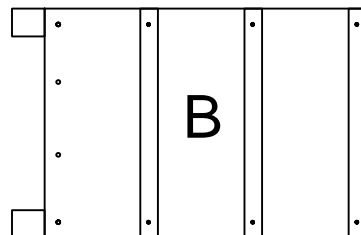
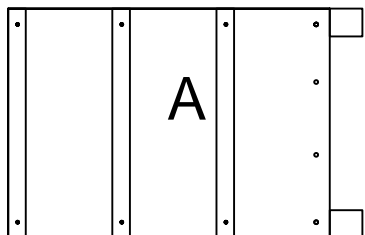
help@spartakent.com

PLEASE HAVE ITEM NUMBER READY, AND A REPRESENTATIVE WILL GLADLY ASSIST YOU



PARTS IDENTIFICATION

NOTE: FIRST MAKE SURE THAT YOU HAVE ALL OF THE PARTS LISTED ON THIS SHEET. IF YOU ARE MISSING ANY PIECE(S), DO NOT ASSEMBLE THE UNIT. INSTEAD, CALL CUSTOMER SERVICE NUMBER AT: (888) 777-8250. WE WILL BE HAPPY TO ASSIST YOU.

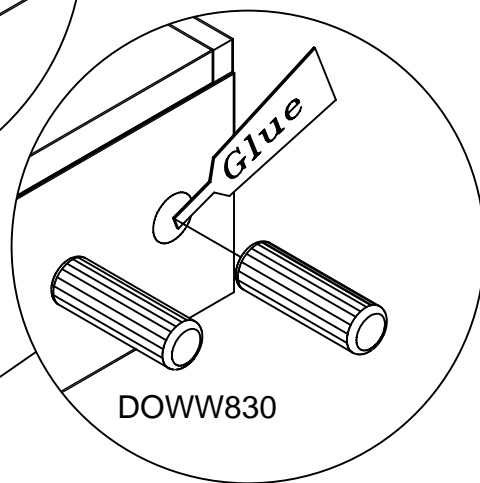
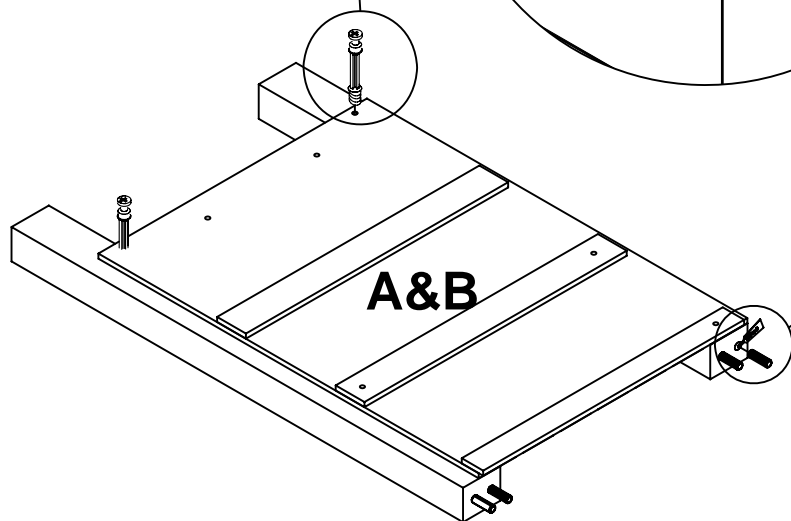
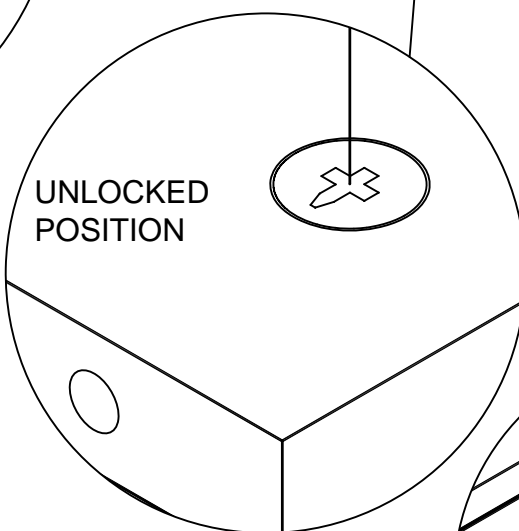
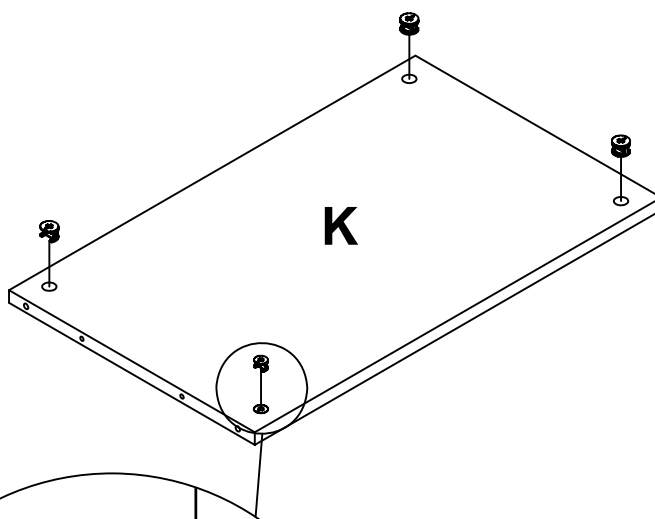
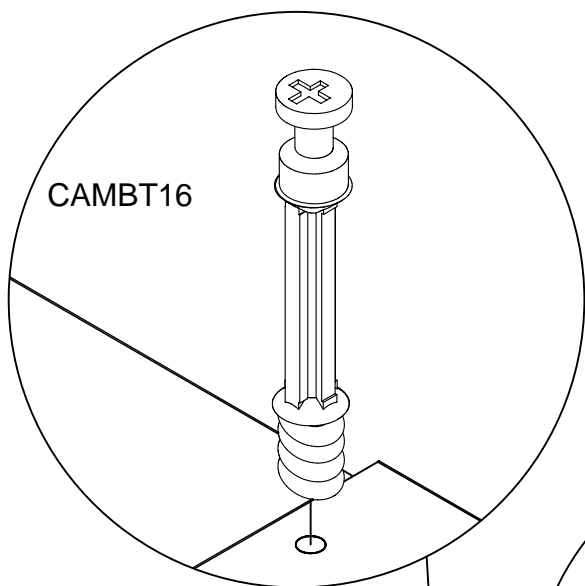


3027A-Side Panel Left 1pc
 3027B-Side Panel Right 1pc
 3027D-Drawer Back 3pcs
 3027E-Top 1pcs
 3027F-Drawer Left Side 3pcs

3027G-Drawer Right Side 3pcs
 3027H-Drawer Front 3pcs
 3027I- Drawer Bottom 3pcs
 3027J-Back Panel 2pcs
 3027K-Bottom 1pc

1

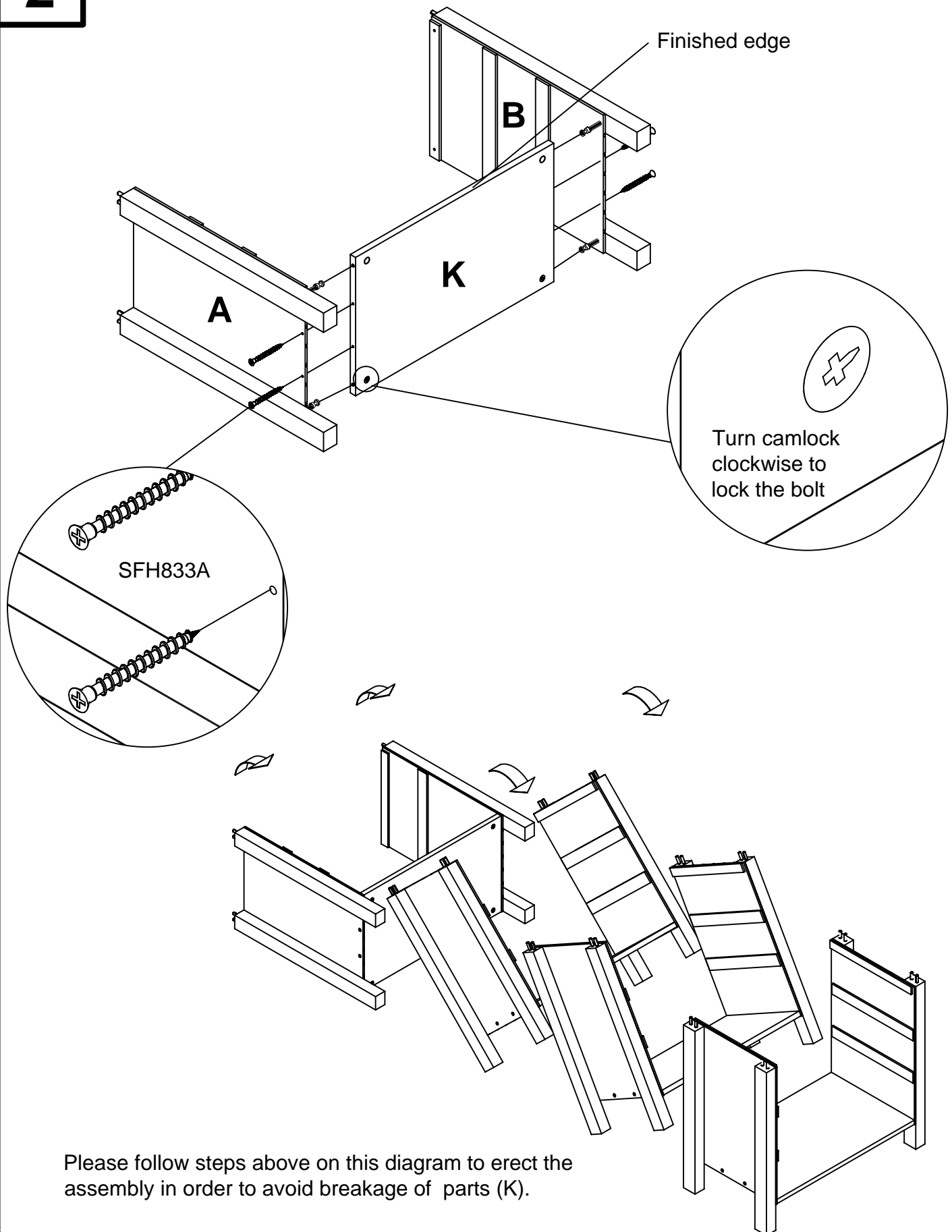
When first inserting camlocks, make sure they always point towards edge of board as indicated.



Insert wood dowels by tapping onto them with a hammer. Make sure they go in as far as possible. Wood dowels should not stick out more than 1/2"

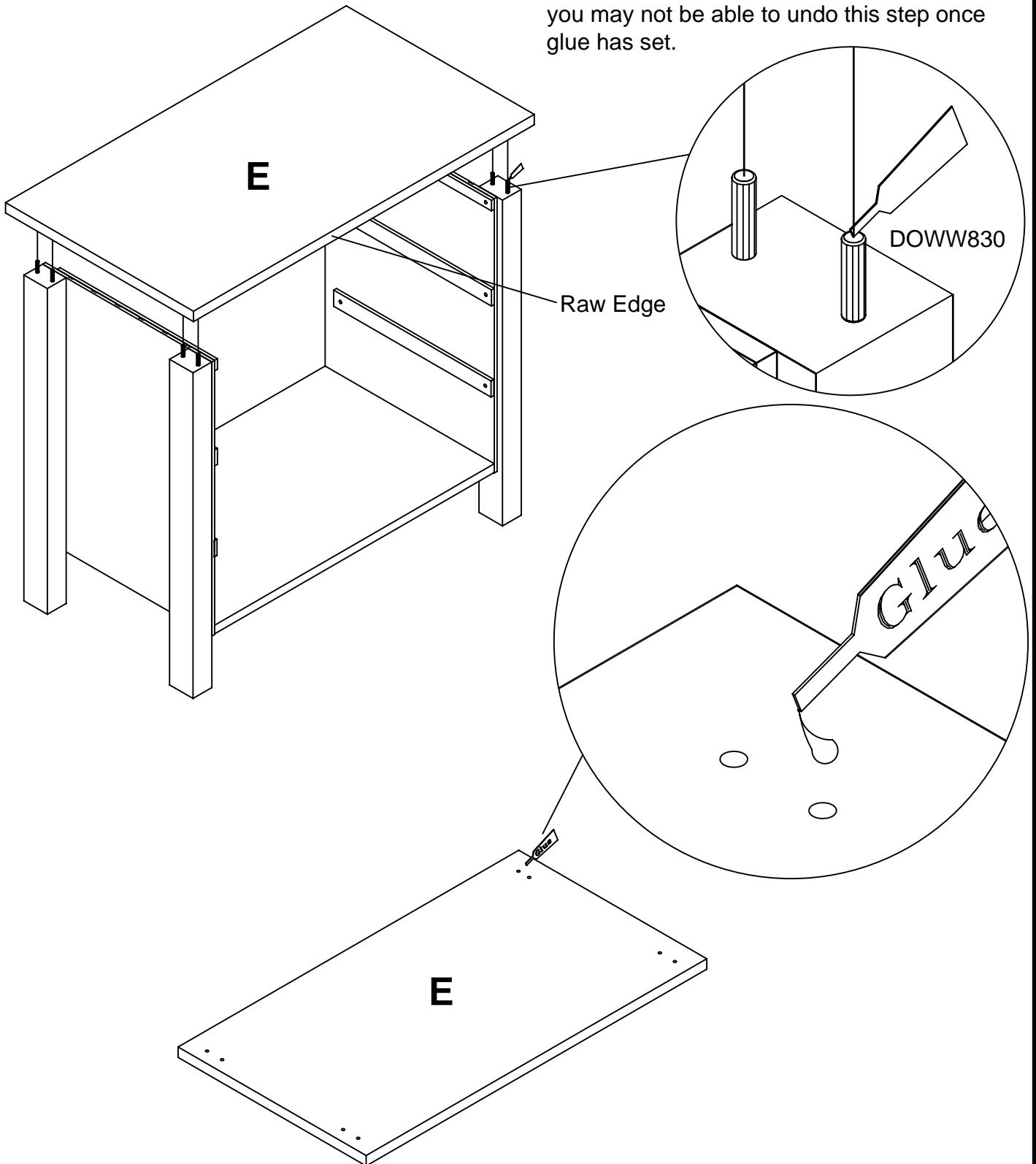
2

When locked, arrow on camlock should point away from the edge as indicated.

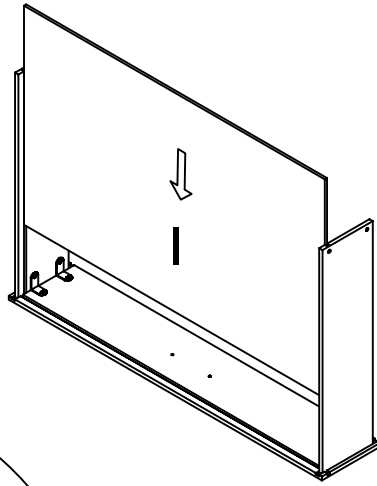
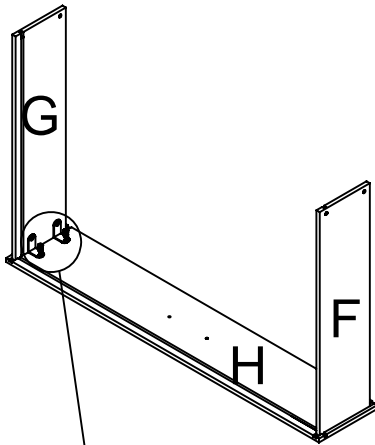
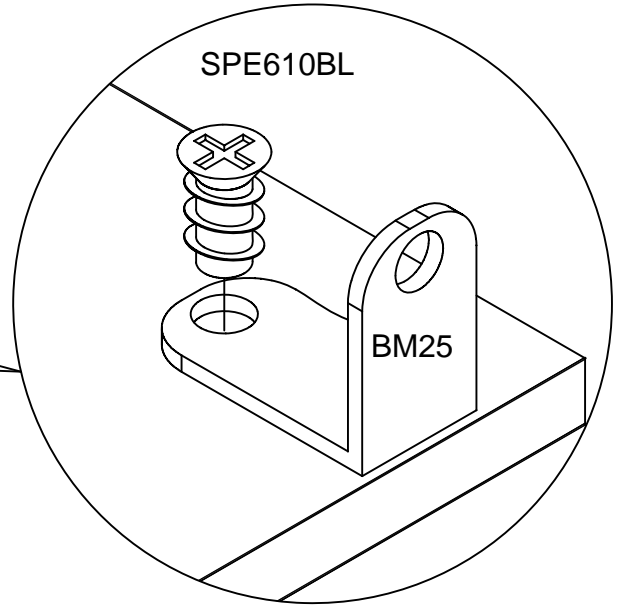
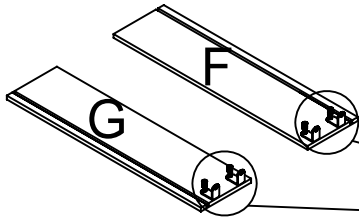


3

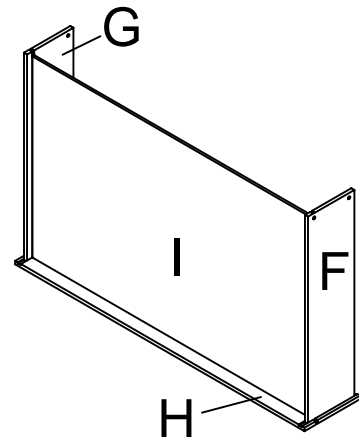
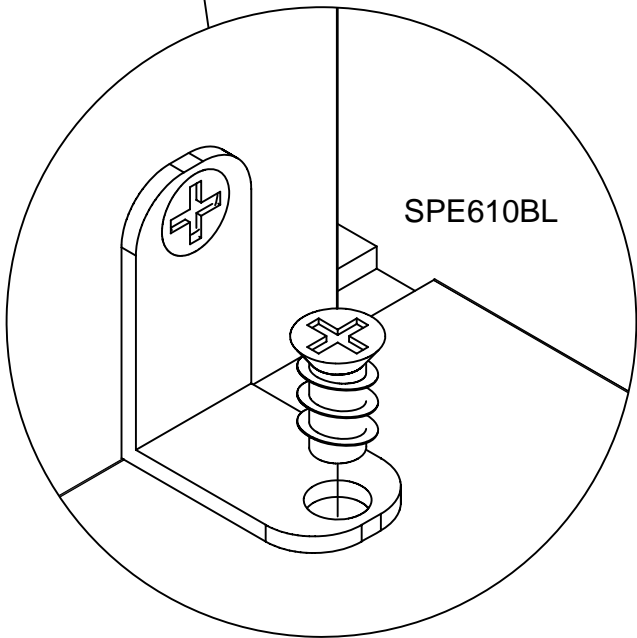
Note: Make sure you align the raw edges of part (E) to parts (A and B) in the back when attaching. Lightly tap on the top piece (part E) onto the unit in order not to leave any gaps in between them. Be careful because you may not be able to undo this step once glue has set.



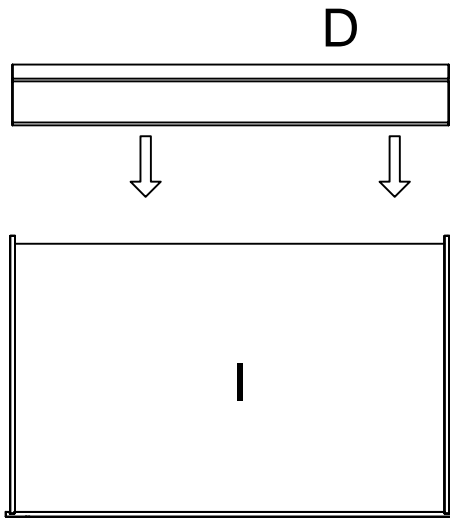
4



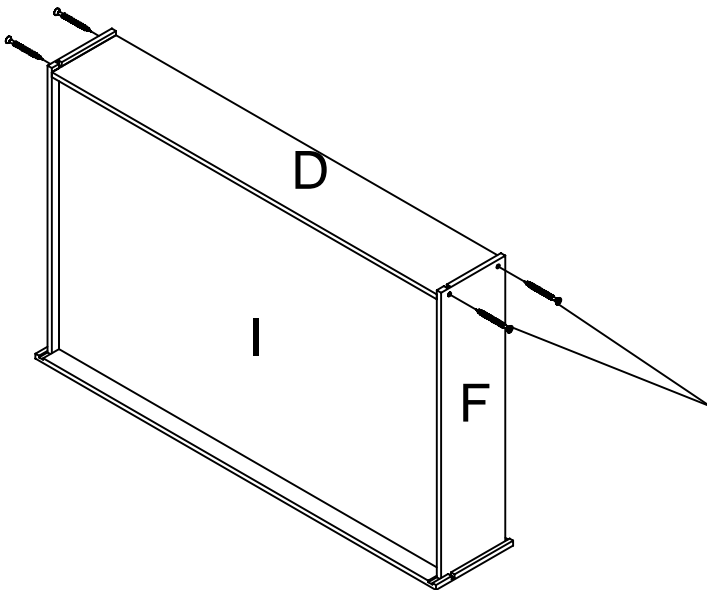
Note: Once parts (F and G) have been attached to part (H) with the euro screws, a total of four each. Then slide in the bottom part of the drawer (Part I).



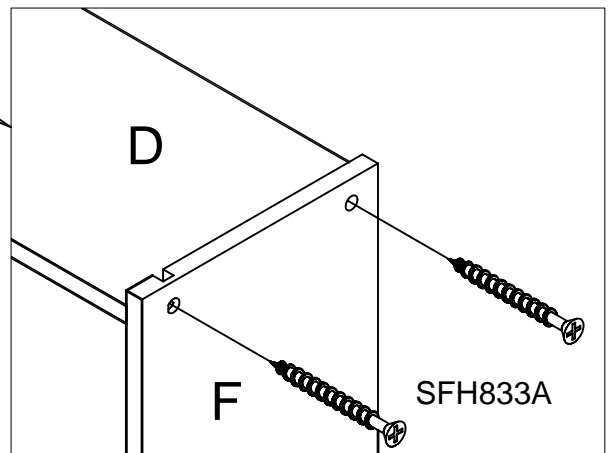
5



Note: Place (D) onto (in between) Drawer Sides (F) and (G). Repeat last steps for the rest of the drawers.

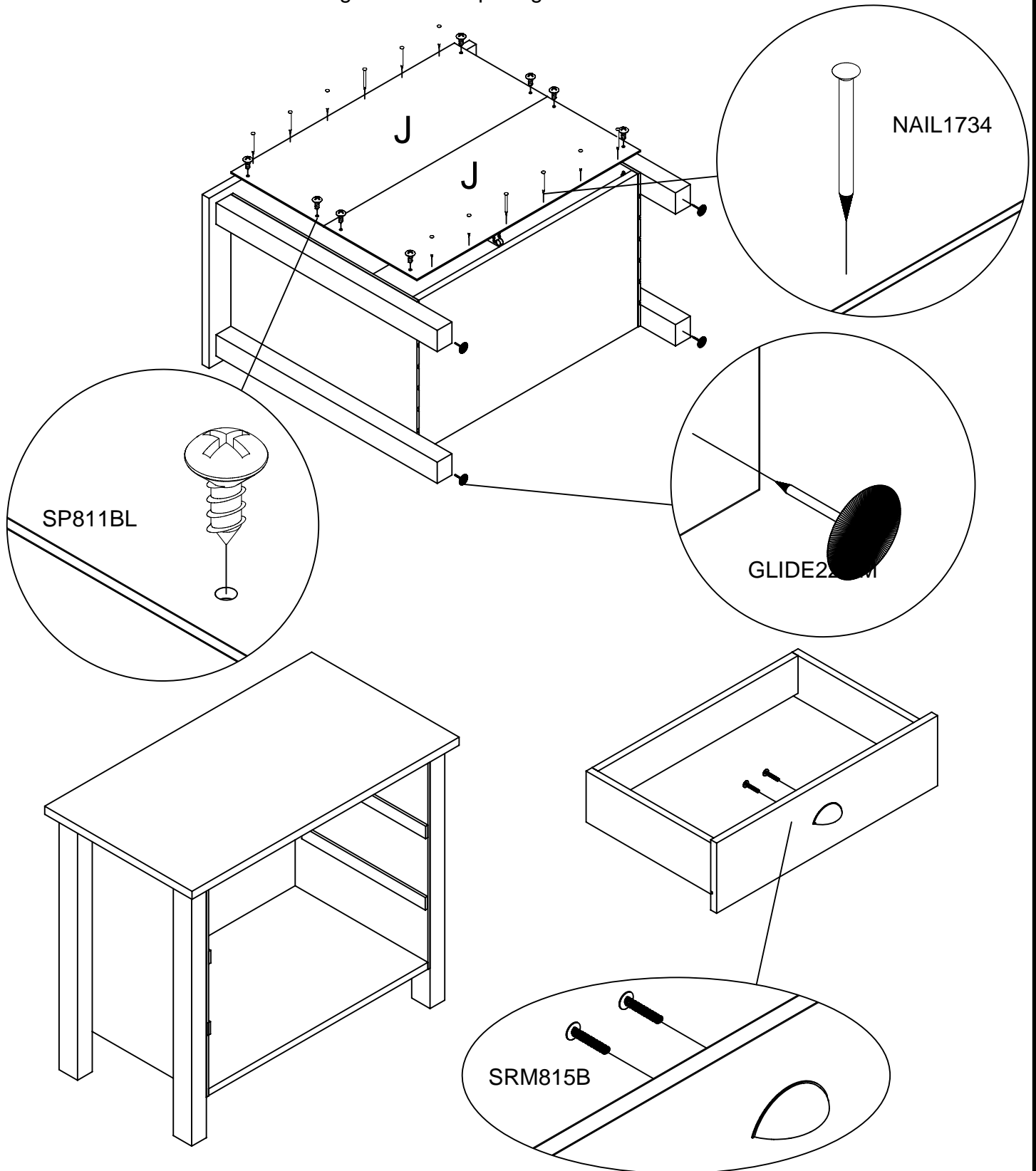


Note: Attach part (D) with two screws on both sides (Parts F & G) a total of four screws as shown below.



6

Place the unit face down. Align the Back Panel (J) over the of the unit. Make sure the assembly is square and leave equal amount of margin all around. Secure the panels by screwing 4 screws through the pre-drilled holes for both panels (2 screws on both ends). Next, nail the top and bottom (as shown below) with approximately 4" spacing between the nails. Make sure to keep the nails centered on the edges to avoid splitting of the boards.



7

Note: Insert the drawers by following the diagram below. Start from the bottom and work your way up. This way you can have a clear view where to insert the next drawer.

