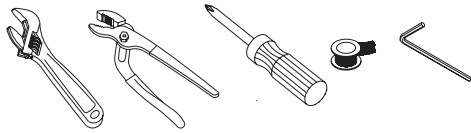


installation

Tools

- Adjustable wrench
- Groove joint plier
- Phillips screwdriver
- Pipe tape
- Allen wrench



Maintenance

Your new faucet is designed for years of trouble-free performance.

Keep it looking new by cleaning it periodically with a soft cloth.

Avoid abrasive cleaners, steel wool and harsh chemicals as these will dull the finish and void your warranty.

Safety Tips

- If you use soldering for the installation of the faucet, the seats, cartridges and washers will have to be removed before using flame. Otherwise, warranty will be void on these parts.
- Protect your eyes with safety glasses when cutting or soldering water supply line.
- Cover your drain to avoid losing parts.

Important points

Prior to beginning installation, turn off the cold and hot water lines and open the old faucet to release built-up pressure. When installing your new faucet, turn the connector nuts finger-tight, then use one wrench to anchor the fitting and a second wrench to tighten the nut one additional turn. Connections that are too tight will reduce the integrity of the system. Wrap all threaded connections with Teflon tape available at your local hardware or plumbing supply store. Always wrap in a clockwise direction.

Things You May Need

All installations can vary depending on how your previous faucet was installed. Necessary supplies to install your faucet are not all included; however, they are available wherever plumbing supplies are sold. When choosing your installation supplies, make sure they are IAPMO and/or CSA approved products.

For Models:

150 03, 150 04, 151 03, 151 04

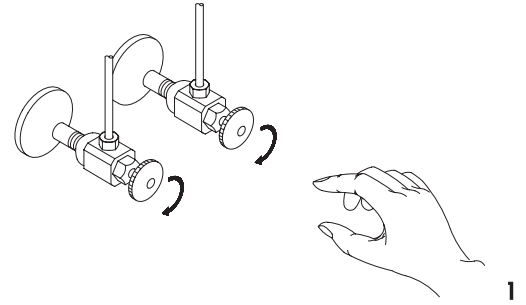
155 03, 155 04, 156 03, 156 04



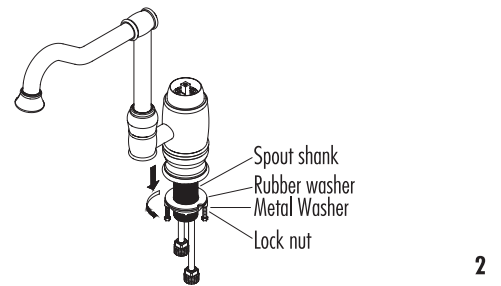
Belle Forêt
collection

Preparation/Assembly

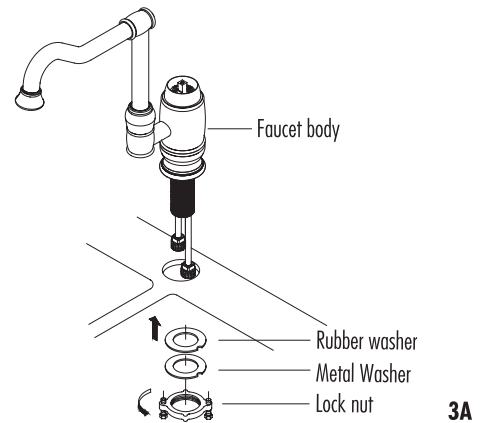
1 Shut off water supply before installation.



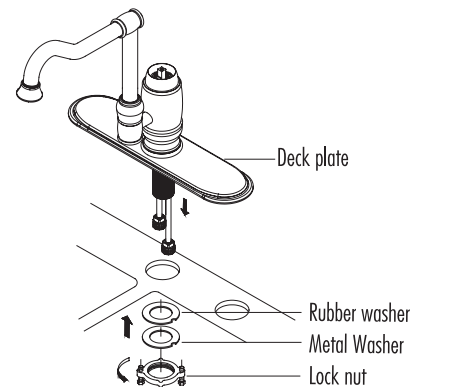
2 Remove rubber washer, metal washer and lock nut from the spout shank.



3 A. Single post mount installation
Insert faucet body through the correct faucet hole in the sink. Slide the rubber and metal washers up the mounting shank and secure faucet body with lock nut.

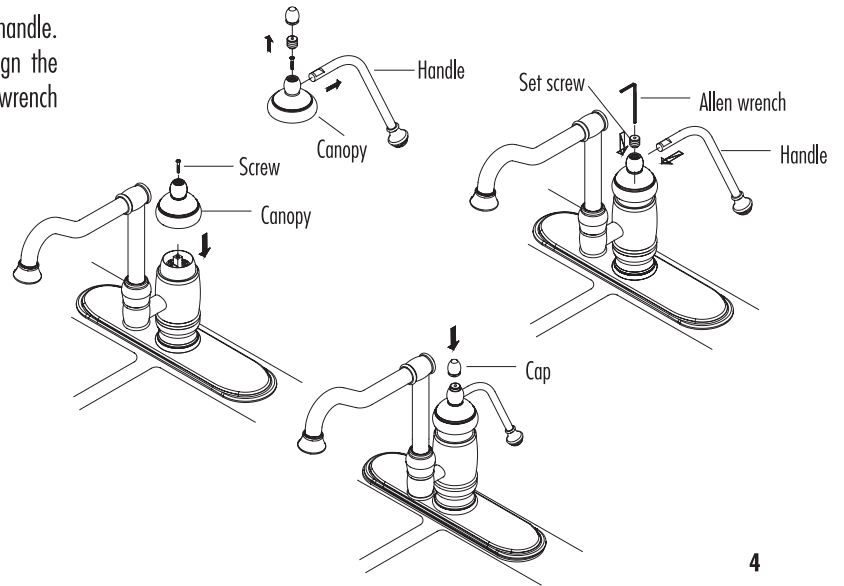


B. Deck-plate installation
Insert faucet body through deck-plate, and the correct faucet hole in the sink. Slide the rubber and metal washer up the mounting shank and secure with lock nut.

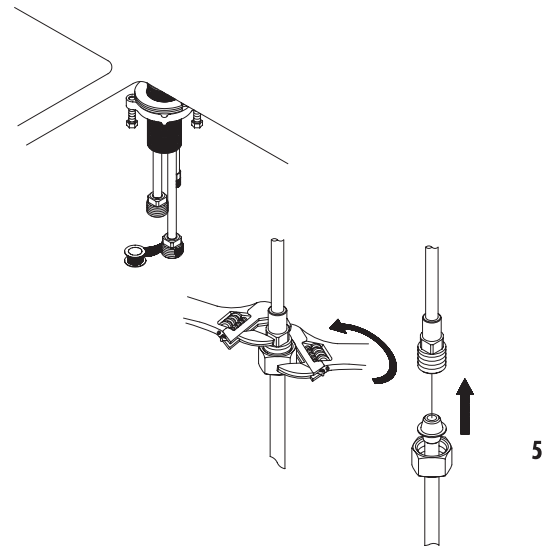


Installation

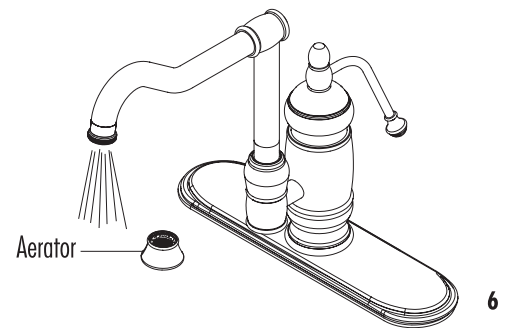
4 Disassemble the handle by removing the cap, set-screw and handle. Install handle canopy and secure with screw. Insert and align the handle, and secure by tightening the set screw with the Allen wrench provided. Insert the cap.



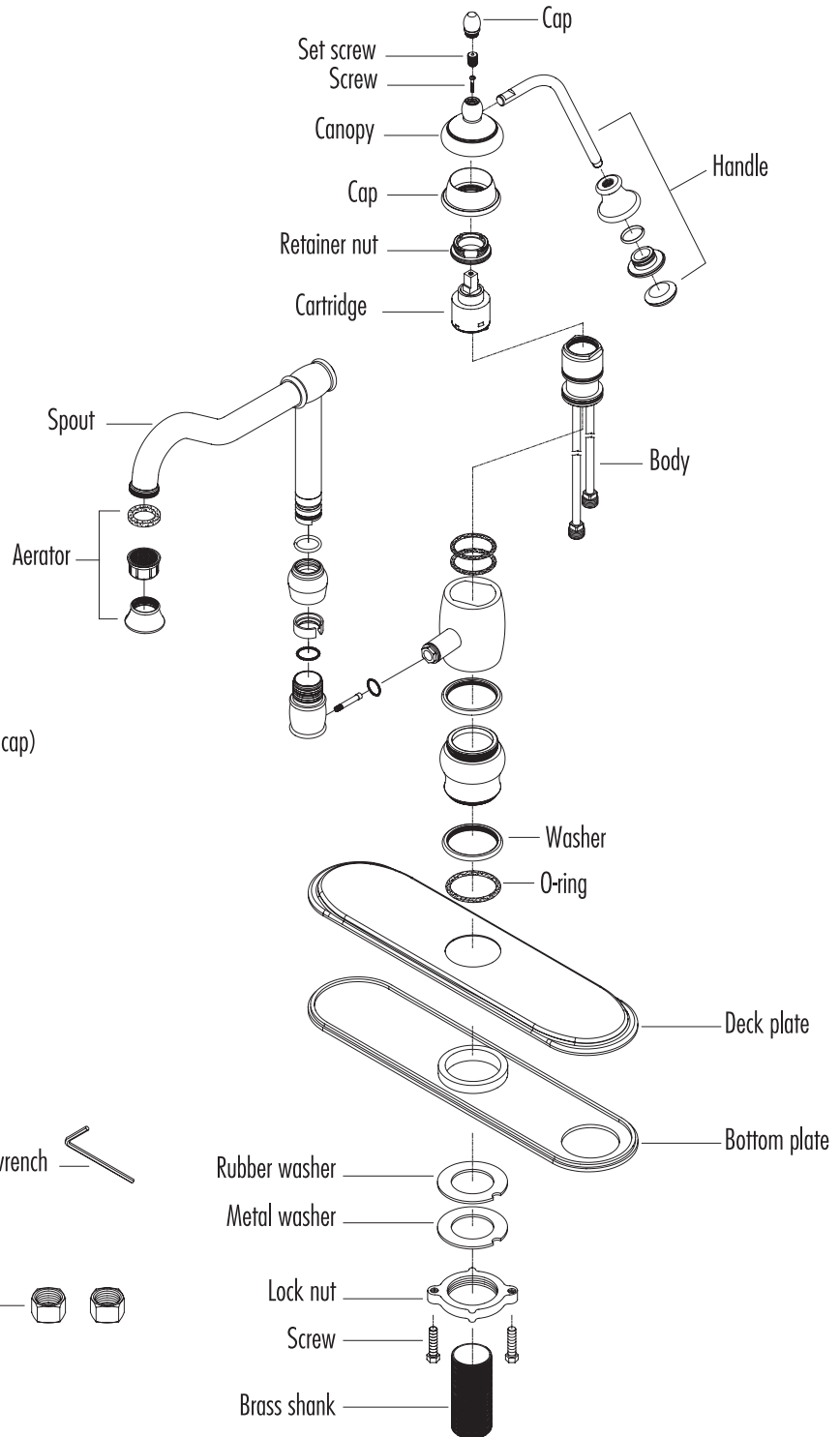
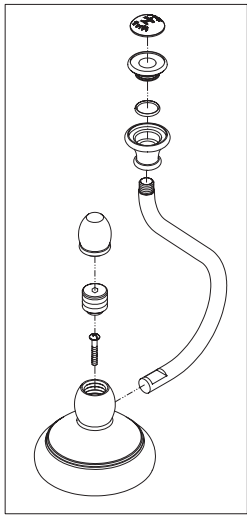
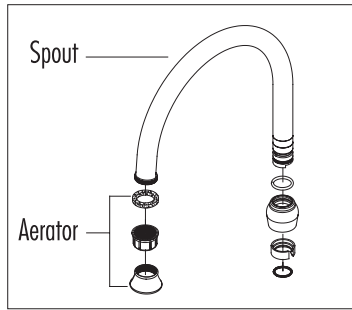
5 Wrap supply inlets with pipe tape and connect to water supply.



6 After connecting supply lines, remove the aerator, and turn on the faucet, letting both hot and cold water run for 1 minute to flush the lines. Replace aerator and check for leaks.



Parts Breakdown



Trouble-Shooting

PROBLEM

Leaks underneath handle.

CAUSE

Retainer nut is loose or O-ring on cartridge is dirty or twisted.

SOLUTION

Tighten the retainer nut. Clean or replace o-ring.

PROBLEM

Aerator leaks or has an inconsistent water flow pattern.

CAUSE

Aerator is dirty or improperly installed.

SOLUTION

Remove aerator, check for debris in the aerator screens, and confirm the rubber washer is properly installed.