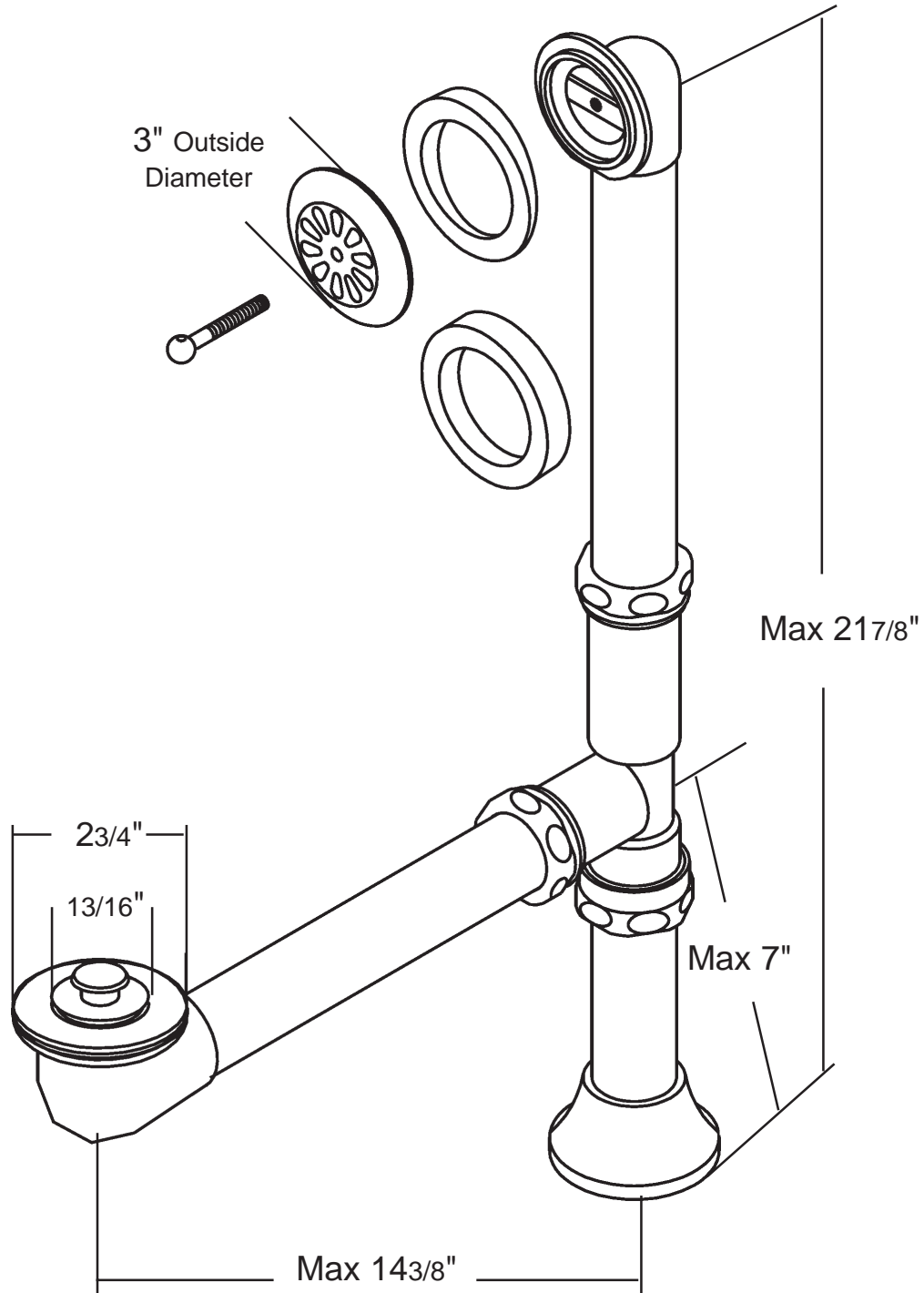




# Specification for **LTD03**

Tubing Diameter

1 1/2" OD



Revised 8/10/04