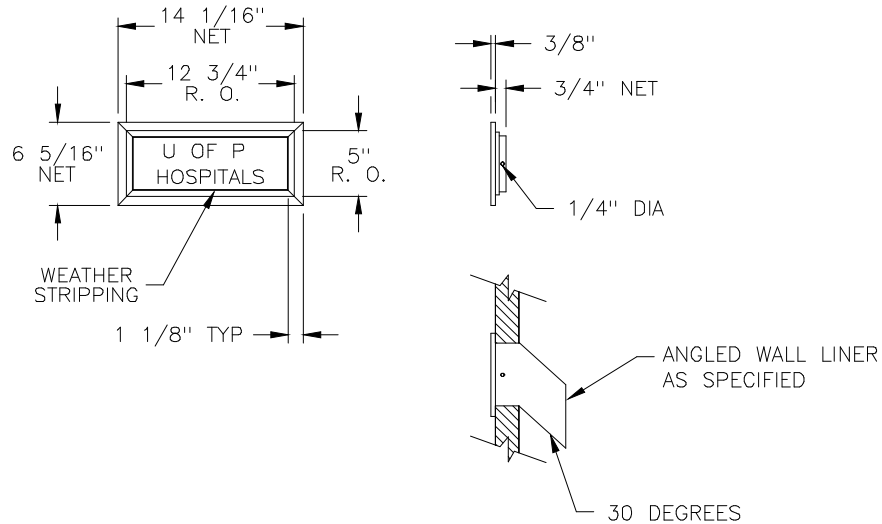


LD12 LETTER DROP INSTALLATION CUT SHEET



INSTALLATION NOTES:

1. CUT/FRAME OPENING AT DESIRED LOCATION TO ROUGH OPENING DIMENSIONS AS SHOWN.
2. INSERT LETTER DROP (AND OPTIONAL WALL LINER) INTO OPENING.
3. IF NECESSARY, DRILL STARTER HOLES INTO OPENING EDGE (AND THRU OPTIONAL WALL LINER) AT MOUNTING HOLE LOCATIONS.
4. IF NECESSARY, REMOVE LETTER DROP (AND OPTIONAL WALL LINER) FROM OPENING, AND INSTALL ANCHORS INTO MOUNTING HOLES.
5. MOUNT LETTER DROP (AND OPTIONAL WALL LINER) INTO OPENING USING #8 SHEET METAL SCREWS PROVIDED.

MATERIALS:

- DOOR: EXTRUDED ALUMINUM
- FRAME: EXTRUDED ALUMINUM
- LINER: 22 (.030) GAUGE STEEL
- WEATHER STRIPPING:

FINISHES:

- CLEAR ANODIZE
- GOLD ANODIZE
- BROWN POWDER COAT

ENGRAVING:

- 1" HI LETTERS, "U.S. MAIL"
- OPTIONAL, AS SPECIFIED

ROUGH OPENING:

5"H x 12 3/4"W x 1"D (MIN)

DOOR SIZE:

4"H x 11 1/2"W x 1/8" THICK

AUTH AF FLORENCE
 MANUFACTURING COMPANY
 5935 CORPORATE DRIVE
 MANHATTAN KANSAS 66503

CS5002

2/23/04