

Athena Compact Fluorescent Wall

PW5498_13Q_

1.3



Wall Sconces

GENERAL PRODUCT INFORMATION:



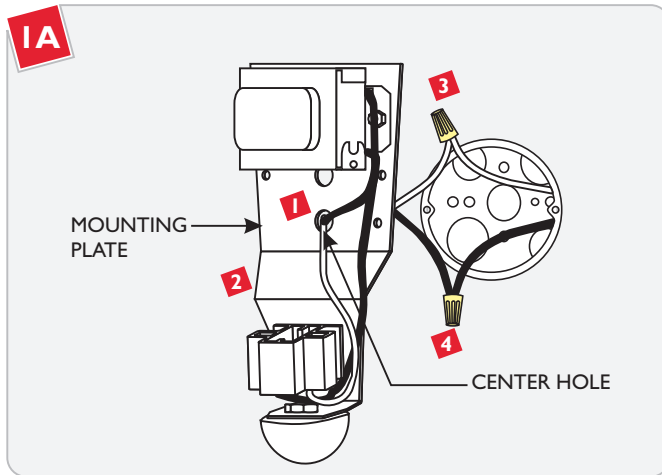
This product can mount to either a 4" square electrical box with round plaster ring or an octagon electrical box.

This product is suitable for indoor dry locations only.

CAUTION - RISK OF FIRE
 This product requires installation by a qualified electrician. Before installing be sure to read all instructions and **TURN THE POWER TO THE ELECTRICAL BOX OFF.**

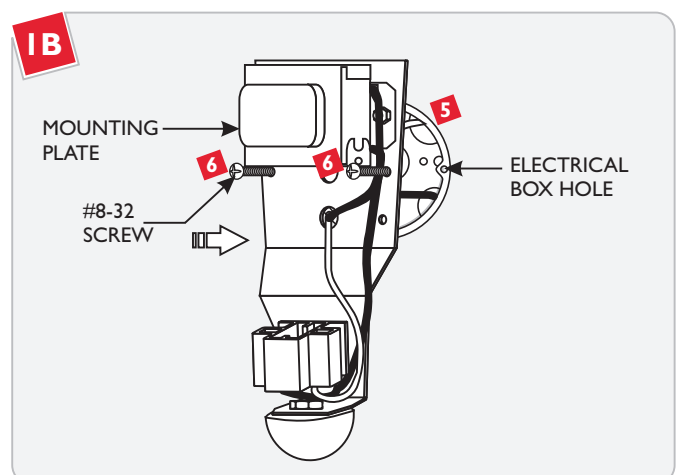


Install the Fixture



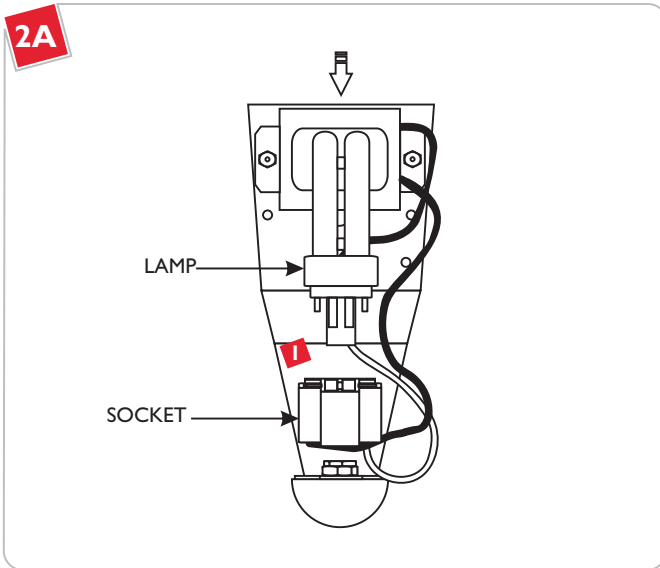
NOTE: Use the provided crossbar assembly if the mounting plate holes do not match with the electrical box holes.

- 1 Feed the fixture wires through the mounting plate center hole.
- 2 In accordance with local electrical codes, make sure that the mounting plate is grounded.
- 3 Connect the fixture white wire to the neutral power line wire with a wire nut.
- 4 Connect the fixture black wire to the hot power line wire with a wire nut.



- 5 Place all wires and wire nut connections properly inside the electrical box.
- 6 Install the mounting plate to the electrical box with the provided two #8-32 screws.

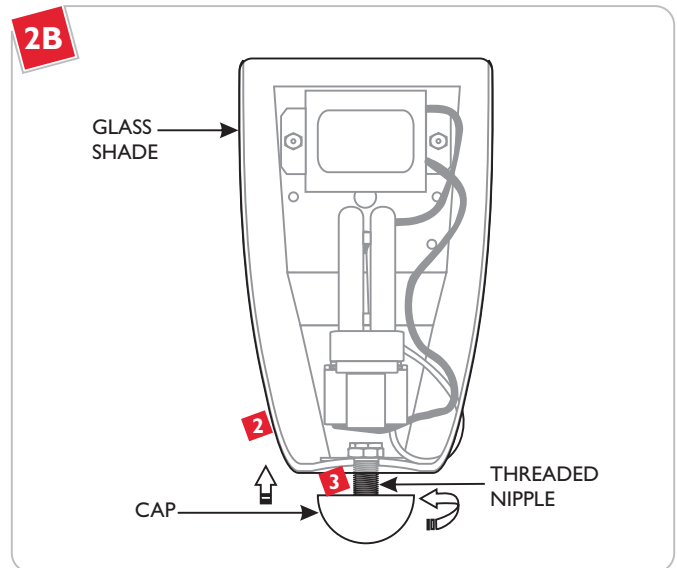
Install the Lamp & Shade



Use **MAX 13** Watt Type Quad Tube
GX23-2 Base Compact Fluorescent Lamp.



- 1 Push the lamp pins completely into the socket holes.



- 2 From bottom of the mounting plate slide the glass shade up onto the threaded nipple.
- 3 Replace and tighten the cap completely to the exposed threaded nipple to secure the glass shade in place.

SAVE THESE INSTRUCTIONS!

 **LBL Lighting**

7400 Linder Ave, Skokie, IL 60077

800.323.3226 - 847.626.6300

www.lblighting.com

© 2008 LBL Lighting. All rights reserved. The "LBL Lighting" graphic is a registered trademark of LBL Lighting. LBL Lighting reserves the right to change specifications for product improvements without notification.

A Generation Brands Company