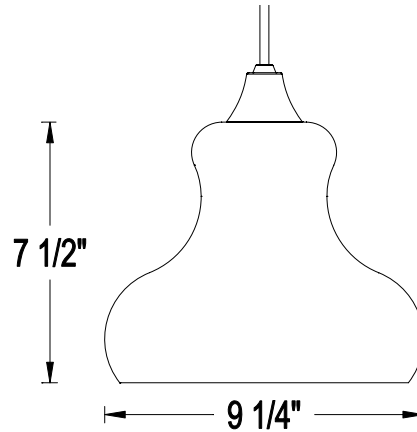




CATALOG NUMBER	TYPE
PROJECT	

AMERICANA COLLECTION

ENERGY EFFICIENT PENDANTS - CLINTON



Ordering Matrix					
Mounting		Socket Set	Shade	Adapter Finish	
[]		[]	[]	[]	
Canopy Mount	PLD	 F1	472WT	F1	F2
FLEXRAIL1	HM1			AB	BN
120v H	HTK	DB		PT	
Track L	LTK	 F2	DB	BN	
J/J2	JTK		DB	BN	

Example (Mounting-Socket Set-Shade-Adapter Finish) : PLD-F2-472WT/BN

Product Details	
Description:	Linear System fixture for a Self-ballasted compact fluorescent lamp.
Materials:	Steel canopy or Polycarbonate track adapter and lamp holder with a Die-cast aluminum cup.
Lamping:	Uses GU24 Self-ballasted compact fluorescent lamp, 26w MAX. (13w 2700K Included).
Finish:	Electrical plated - Brushed Nickel and Antique Bronze; Painted in Dark Bronze and Platinum.
Shade:	Opal Glass.
Listing:	UL & CUL Listed, Energy Star Recognized.

Specification Features
<ul style="list-style-type: none"> The length of the cord is adjustable to desired pendant height.,, Energy saving fixture and lamp life lasting more than 8000 hours. 5 years product warranty and 2 years included lamp warranty.