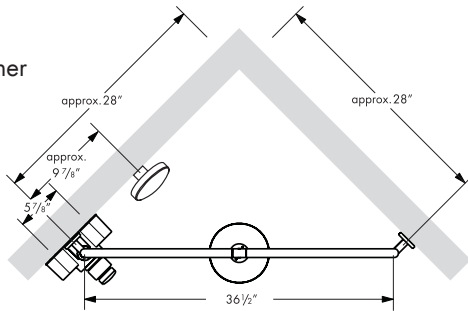
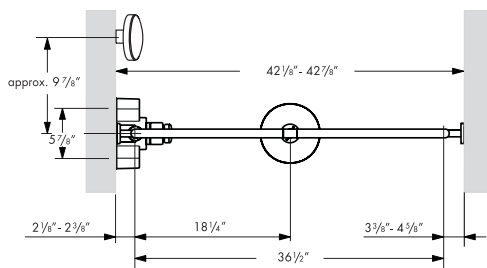


Installation in 90° corner



Wall to wall installation



Product Features

- Arc-shaped exposed shower system
- Thermostatic mixing valve with integrated volume control and diverter
- Raindance 180 AIR showerhead with Rubit™ cleaning system, 2.5 gpm
- Raindance S 100 AIR 3-jet handshower with three spray modes, Rubit™ cleaning system, 2.5 gpm, flexible handshower hose, and holder
- Protection against backflow provided by check valves
- 6 angle-adjustable bodysprays
- Can be installed between two walls or in 90° corner

Code Compliance

This unit meets or exceeds the following:

- ASME A112.18.1
- CSA B125.1
- Listed by IAPMO

Available Finishes

Chrome

26396001

Installation Notes

- Requires 1/2" NPT female fittings, recessed 3/8" behind surface of finished wall
- Can be installed with thermostatic mixer to right or to left – must be decided at time of rough-in

The measurements shown are for reference only.

Products and specifications shown are subject to change without notice.

Specification sheet revised 12/2007