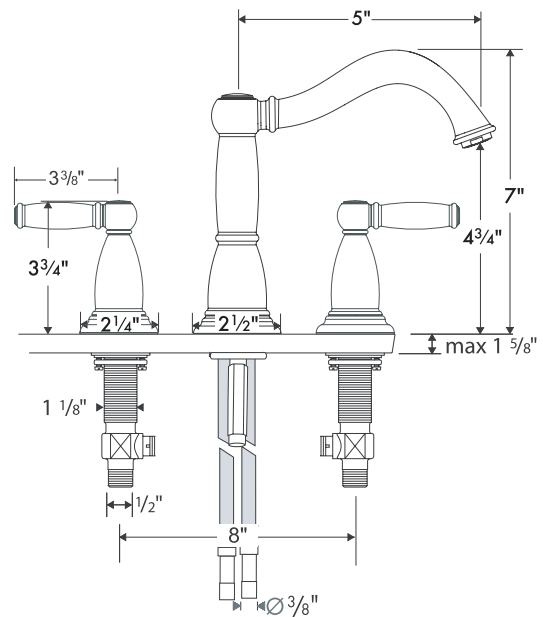


Tango Widespread Lavatory Faucet 06040XX0

Available in Chrome (00), Oil Rub Bronze (62), Brushed Nickel (82), Polished Nickel (83),
Polished Brass (93)



Product Specification

- Lever handle
- Solid brass construction
- 90° ceramic valve cartridges
- Recommended operating pressure 45-80 psi
- Recommended hot water temperature 120° - 140° F*
- Flow rate 2.2 gpm
- Hole size 1 1/4" spout, 1 1/4" valves
- Maximum mounting surface thickness 1 5/8"
- Includes pop-up drain
- Flexible connection hoses - can be used in a variety of installations

Due to the size of the escutcheons, this faucet cannot be used in a 4" installation.

Requires 1/2" supply lines and nuts (not included)

*many municipalities have codes limiting the maximum temperature of the water heater to 120° F or below. Please know and follow all applicable local codes when setting the temperature on your water heater.