

### 5' BATH WHIRLPOOL K-852-H2

ADA

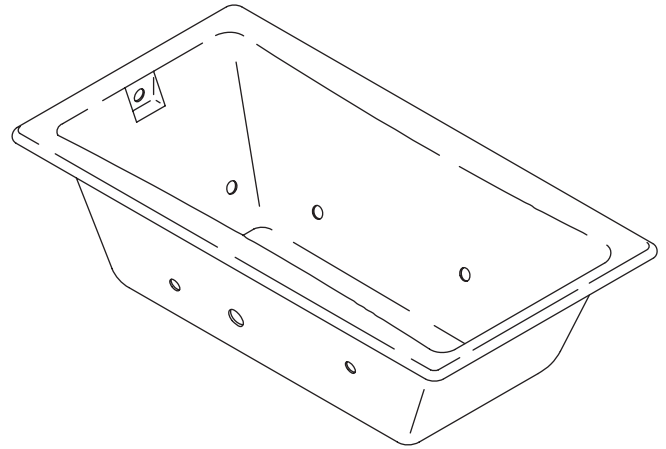
#### Features

- Cast iron with Safeguard® finish
- 1.5 hp variable speed pump with 1.5 kW heater, back-lit user keypad, and remote control
- 6 Flexjets™
- UL listed
- Less all trim
- 60" (152.4 cm) x 32" (81.3 cm) x 18-1/4" (46.4 cm)

#### Codes/Standards Applicable

Specified model meets or exceeds the following:

- ADA
- IAPMO/UPC
- Underwriter's Laboratories (UL)
- ASME A112.19.1M
- ASME A112.19.7M



#### Colors/Finishes

- 0: White
- Other: Refer to Price Book for additional colors/finishes

#### Accessories:

- CP: Polished Chrome
- PB: Polished Brass
- Other: Refer to Price Book for additional colors/finishes

#### Specified Model

Model	Description	Colors/Finishes		
K-852-H2	Bath whirlpool	<input type="checkbox"/> 0	<input type="checkbox"/> Other_____	
<b>Required Accessories</b>				
K-9696	Jet trim kit	<input type="checkbox"/> CP	<input type="checkbox"/> PB	<input type="checkbox"/> Other_____
K-7169-AF	Drain	<input type="checkbox"/> CP	<input type="checkbox"/> PB	<input type="checkbox"/> Other_____
<b>Optional Accessories</b>				
K-586	Undermount installation kit (template and installation instructions)	<input type="checkbox"/> NA		
K-1179	Vinyl tiling-in bead (use when wall material contacts any top surface of the bath)	<input type="checkbox"/> NA		
K-1491	Pillow	<input type="checkbox"/> 0	<input type="checkbox"/> Other_____	
K-1601	Footstop	<input type="checkbox"/> 0	<input type="checkbox"/> Other_____	
K-1703	Remote control	<input type="checkbox"/> NA		

#### Product Specification

The bath whirlpool shall be 60" (152.4 cm) in length, 32" (81.3 cm) in width, and 18-1/4" (46.4 cm) in height. Bath whirlpool shall be made of cast iron with Safeguard finish. Bath whirlpool shall have 6 Flexjets, 1.5 hp variable speed pump, 1.5 kW heater, and back-lit user control. Bath whirlpool shall be UL listed. Bath whirlpool shall be less all trim. Bath whirlpool shall be Kohler Model K-852-\_\_\_\_\_-\_\_\_\_\_.

# TEA-FOR-TWO™

## Technical Information

Fixture*:	Basin area	Top area	Weight
Bathing well	40-1/2" (102.9 cm) x 20" (50.8 cm)	52-3/4" (134 cm) x 24" (61 cm)	290 lbs (131.5 kg)
Water depth (to overflow)		Capacity	
13-5/8" (34.6 cm)		60 gal (227.1 L)	

\* Approximate measurements for comparison only.

Pump	Heater	V	A*
1.5 hp	1.5 kW	240	11

\* Approximate measurements for comparison only.

Drop-in cut-out	58-1/2" (148.6 cm) x 30-1/2" (77.5 cm)		
Cut-out for undermount		K-586 template	
Minimum access panel (required):			
Pump/control	34" (86.4 cm) W x 15" (38.1 cm) H		

## Required Electrical Service

Dedicated circuit required, protected with Class A Ground-Fault Circuit-Interrupter (GFCI) or Earth-Leakage Circuit-Breaker (ELCB):

Pump/control	208-240 V, 20 A, 50/60 Hz
--------------	---------------------------

## Installation Notes

**NOTE:** Pump protrusion beyond rim.

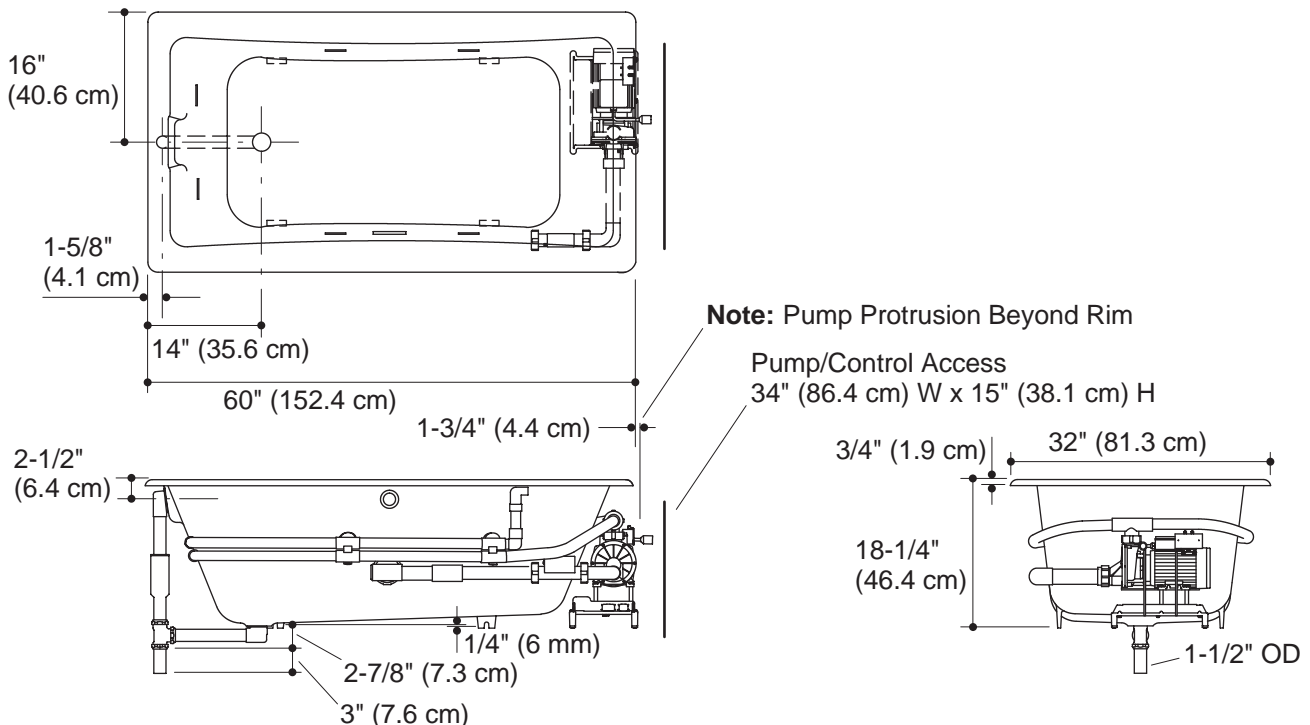
Install this product according to the installation guide.

Floor support under whirlpool must provide for a minimum of 1200 lbs (544.3 kg) loading.

Cast iron whirlpools are extremely heavy, making some drop-in installations difficult. Splitting the deck/surround is recommended if installing into a deck.

No change in measurements if connected with drain illustrated. (K-7169-AF or K-7169M-AF)

**K-852-H2**



## Product Diagram