

**Features**

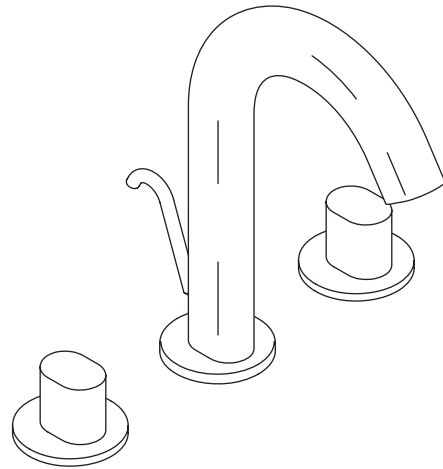
- Metal construction
- Flexible connections for easy installation
- Brass valve bodies
- Quarter-turn washerless ceramic disc valves
- Lower flow aerator options are available
- Pop-up drain with lift rod and tailpiece
- Oval handles
- 2.2 gpm (8.3 lpm) flow rate

**Codes/Standards Applicable**

Specified model meets or exceeds the following:

- ASME A112.18.1/CSA B125.1
- NSF 61
- IAPMO/cUPC

**TALL WIDESPREAD LAVATORY FAUCET  
K-10086**



**Colors/Finishes**

- CP: Polished Chrome
- Other: Refer to Price Book for additional colors/finishes

**Specified Model**

Model	Description	Colors/Finishes	
K-10086	Tall widespread lavatory faucet with oval handles	<input type="checkbox"/> CP	<input type="checkbox"/> Other ____

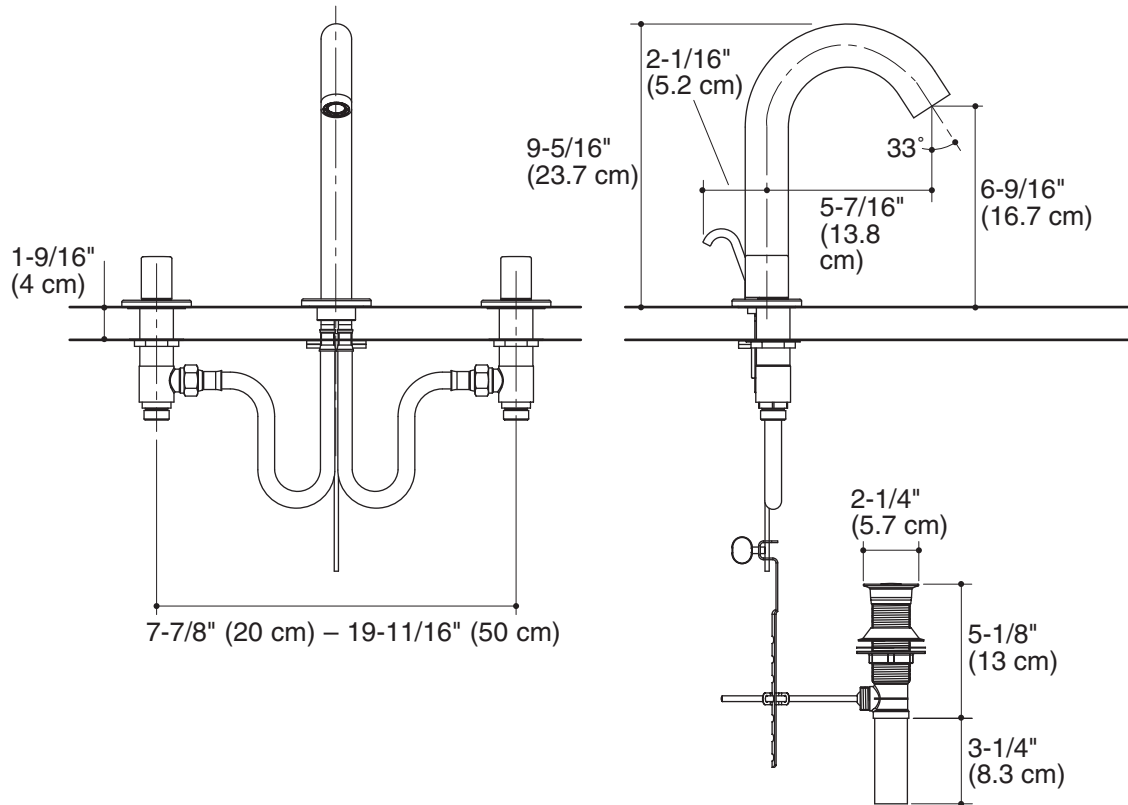
**Product Specification**

The two-handle widespread lavatory faucet shall be made of metal construction. Faucet shall feature brass valve bodies, and quarter-turn washerless ceramic disc valves, assuring positive handle stop positioning. Faucet shall include flexible connections, a pop-up drain with lift rod and tailpiece, and oval handles. Faucet shall be rated at 2.2 gallons (8.3 L) per minute. Faucet shall have lower flow aerator options. Faucet shall be Kohler Model K-10086-\_\_-\_\_.

# OBLO™

## Installation Notes

Install this product according to the installation guide.



## Product Diagram