

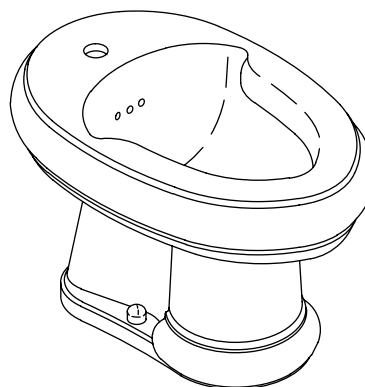
Features

- Vitreous china
- Drilled for fixture-mounted single hole faucet
- Includes mounting hardware

Codes/Standards Applicable

Specified model meets or exceeds the following:

- ASME A112.19.2
- IAPMO/UPC
- CSA B45



Colors/Finishes

- 0: White
- Other: Refer to Price Book for additional colors/finishes

Accessories:

- CP: Polished Chrome
- PB: Polished Brass
- Other: Refer to Price Book for additional colors/finishes

Specified Model

Model	Description	Colors/Finishes		
K-4833	Bidet	<input type="checkbox"/> 0	<input type="checkbox"/> Other_____	
Recommended Accessories				
K-9018	P-Trap	<input type="checkbox"/> CP	<input type="checkbox"/> PB	<input type="checkbox"/> Other_____

Product Specification

Bidet shall be made of vitreous china. Bidet shall be drilled for fixture-mounted single hole faucet. Bidet shall include mounting hardware. Bidet shall be Kohler Model K-4833-_____.

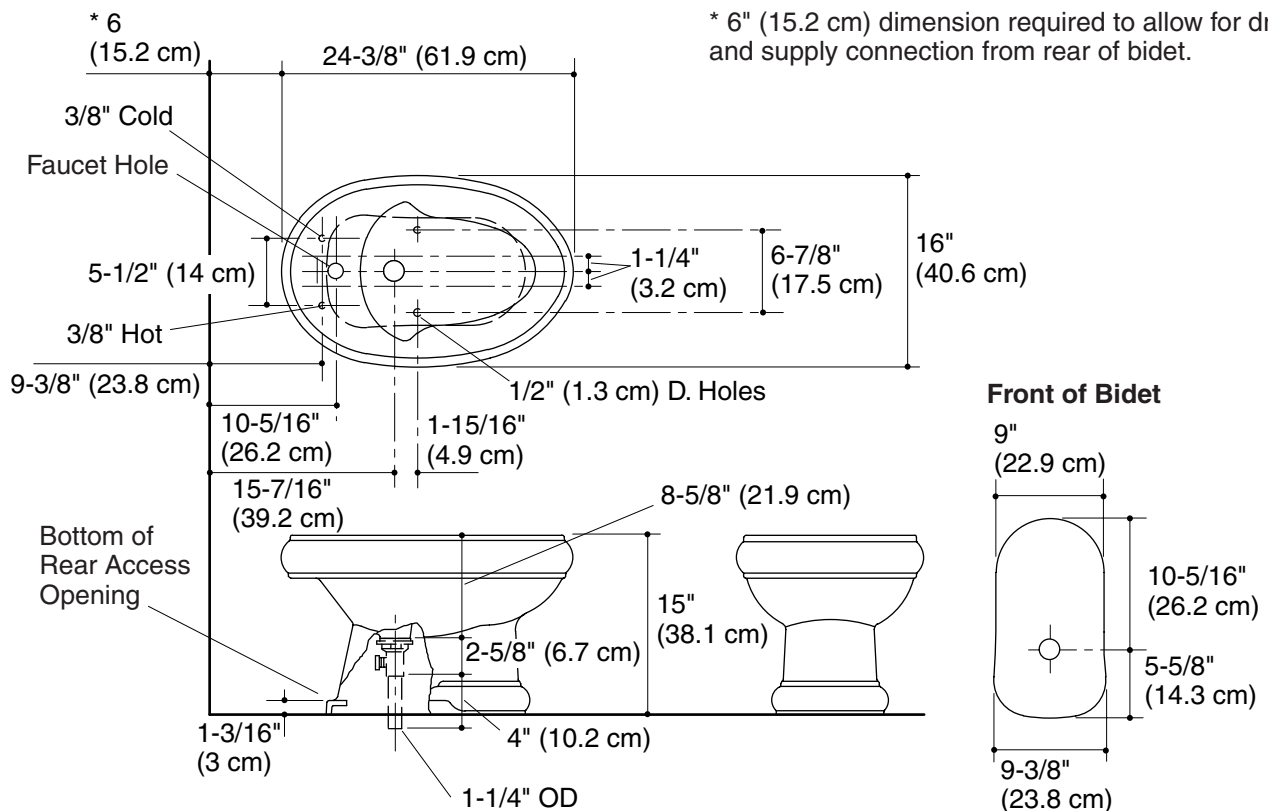
REVIVAL[®]

Technical Information

Fixture:	
Configuration	Faucet deck
Drain hole	1-3/4" (4.4 cm) D.
Faucet hole	1-3/8" (3.5 cm) D.
Included components:	
Floor screws and bolt caps	52049

Installation Notes

Install this product according to the installation guide.
Install trap in drain line below floor.



Product Diagram