

**Features**

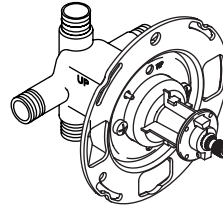
- Brass valve body
- High-temperature limit stop for added safety
- Mixing valve cycles from "cold" to "hot"
- Rite-Temp pressure-balancing diaphragm design valve
- One-piece diaphragm cartridge design for ease of maintenance
- Available with or without screwdriver stops
- Available with female connections for CPVC adapters
- Available with PEX connections

**Codes/Standards Applicable**

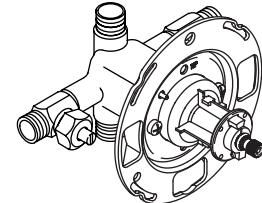
Specified model meets or exceeds the following:

- ASME A112.18.1
- ASSE 1016
- CSA International
- IAPMO/UPC

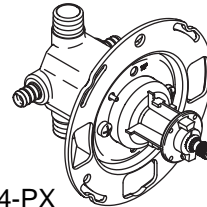
**PRESSURE-BALANCING VALVE  
K-304-K**



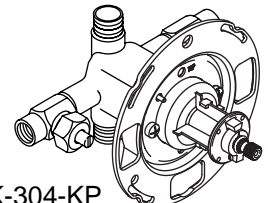
K-304-K



K-304-KS



K-304-PX



K-304-KP

**Colors/Finishes**

- NA: None applicable

**Specified Model**

Model	Description	Colors/Finishes
K-304-K	Without screwdriver stops	<input type="checkbox"/> NA
K-304-KS	With screwdriver stops	<input type="checkbox"/> NA
K-304-KP	With screwdrivers stops, female connections for CPVC adapters	<input type="checkbox"/> NA
K-304-PX	Without screwdriver stops, PEX connections	<input type="checkbox"/> NA

**Product Specification**

Rite-Temp pressure-balancing valve shall have a brass valve body. Product shall include a Rite-Temp pressure-balancing diaphragm design valve with a one-piece diaphragm cartridge design for ease of maintenance. Product shall have mixing valve cycles from "cold" to "hot" and a high-temperature limit stop for added safety. Product shall be available without (-K) or with screwdriver stops (-KS), or with screwdrivers stops with female connections for CPVC adapters (-KP), or without screwdriver stops with PEX connections (-PX). Valve shall be Kohler Model K-304-\_\_\_\_\_-NA.

# RITE-TEMP™

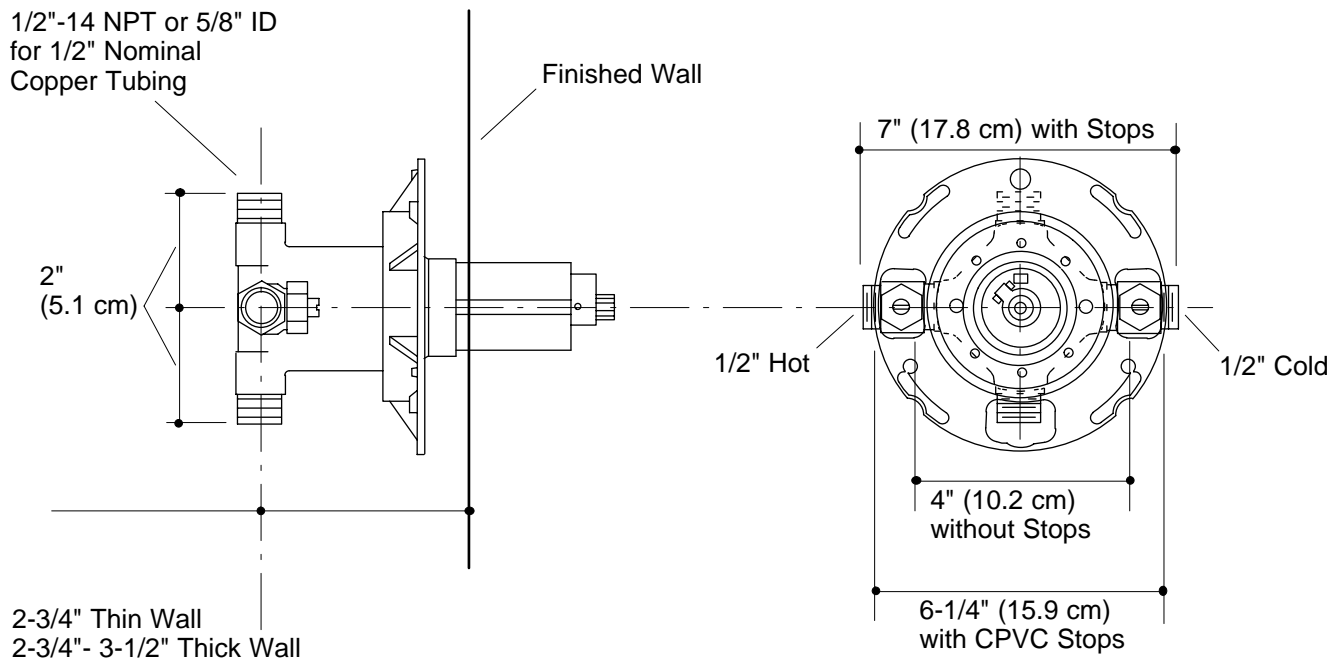
## Installation Notes

Install this product according to the installation guide.

Avoid cross-flow conditions. Do not install a shut-off device on either valve outlet.

Cap the shower outlet if a deck-mount spout, diverter, or handshower is connected to a spout outlet.

Install a straight pipe or tube drop of 7" (17.8 cm) to 18" (45.7 cm) with a single elbow between the valve and wall-mount spout.



## Product Diagram

RITE-TEMP™ PRESSURE-BALANCING VALVE

Page 2 of 2  
114811-4-CC

THE BOLD LOOK  
OF **KOHLER**®