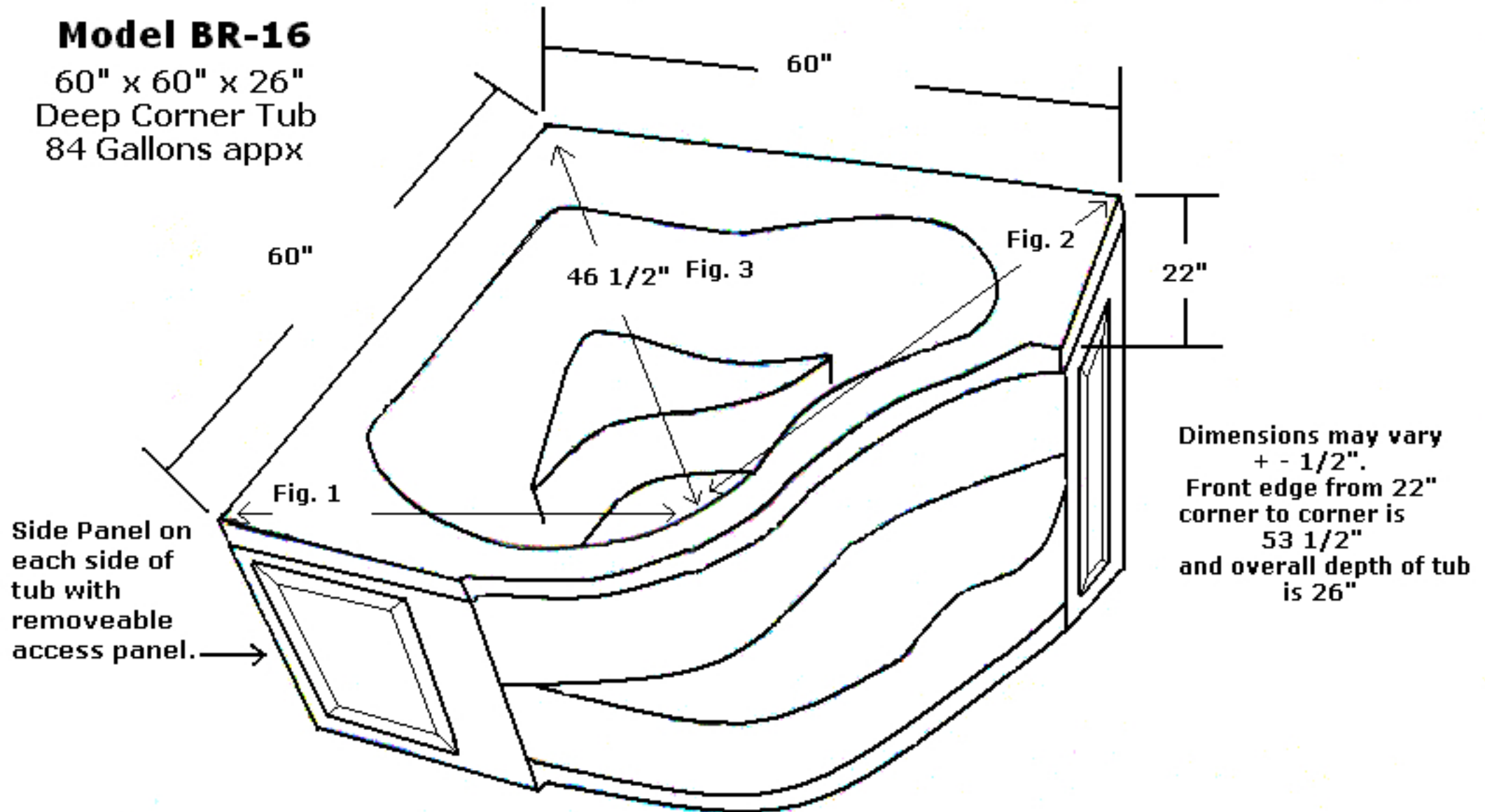


Model BR-16

60" x 60" x 26"
Deep Corner Tub
84 Gallons appx



Dimensions may vary
+ - 1/2".
Front edge from 22"
corner to corner is
53 1/2"
and overall depth of tub
is 26"

BR-16 Center Drain 5' Corner Tub This tub comes with a skirt with a preformed step and two side panels with removeable access panels. It is 26" in depth and has 3 preformed jet locations for large jets. They don't have to be utilized but are located in such a position to really give the tub a nice swirling motion. Along with these 3 large jets we normally suggest a mixture of 11 more jets with a combination of whirly-jets and regular jets. When you purchase this tub from us it will include a heat transfer jacket, Child safety suction valve, Clean-fill inlet and 7-LED Chroma therapy light. Also available on this model is our 16-Jet Air massage system with heated air, auto purge and high low blower functions and pulsate function. To find the drain center measure out from back corner on each wall 60" measure out from back corner 46 1/2" (Fig. 3) Over from left side (Fig. 1) 49" and from right wall (Fig. 2) 34 3/4"