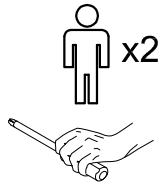
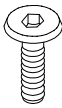


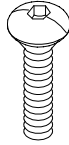
ARCHIE-180



A x20



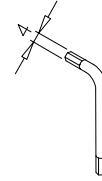
B x2



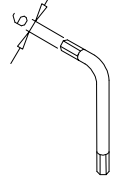
C x2



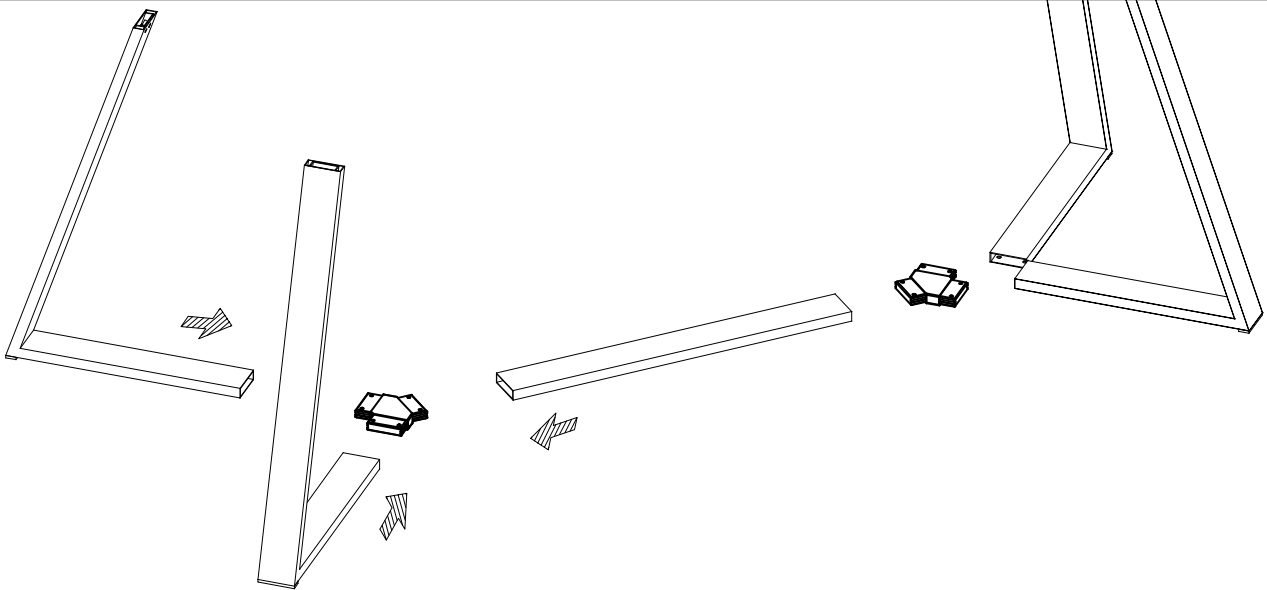
D x1



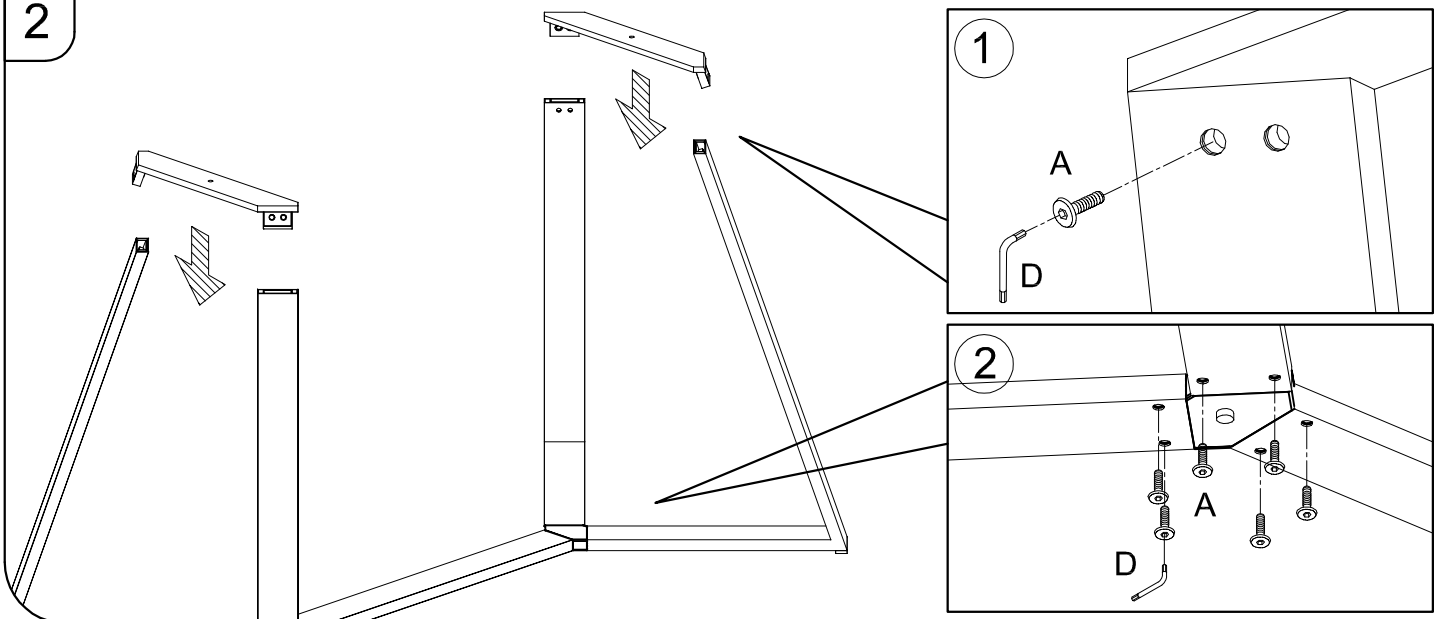
E x1



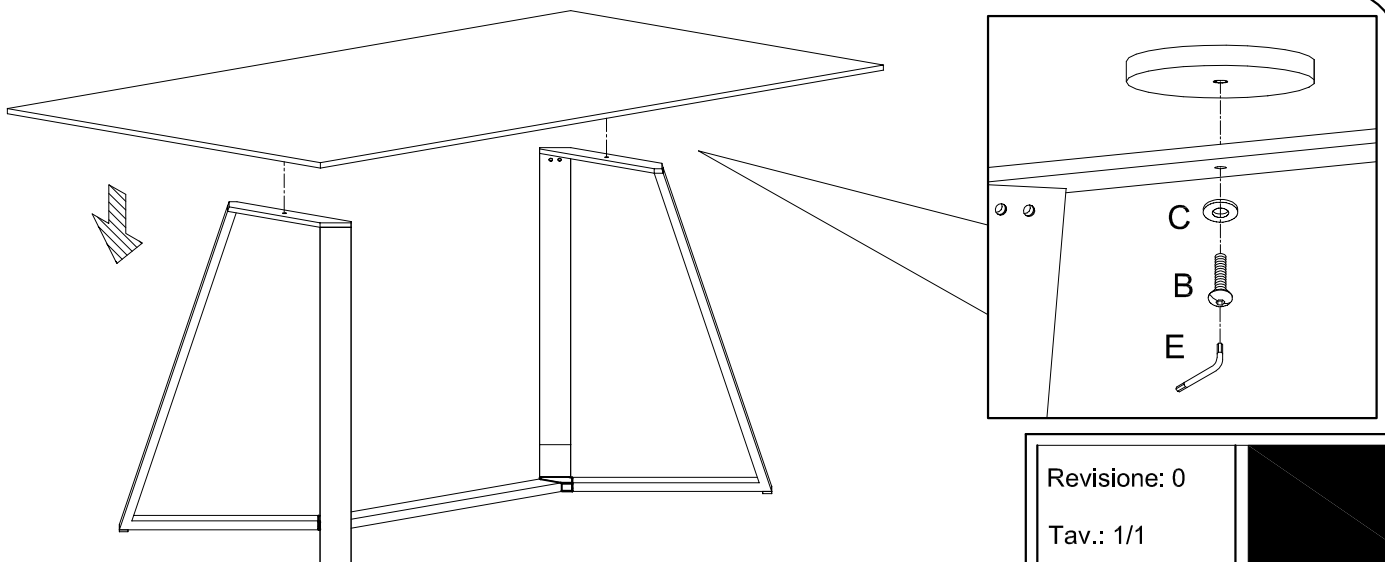
1



2



3



Revisione: 0

Tav.: 1/1

Data: 09/09/09

