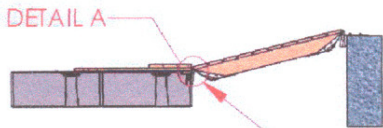
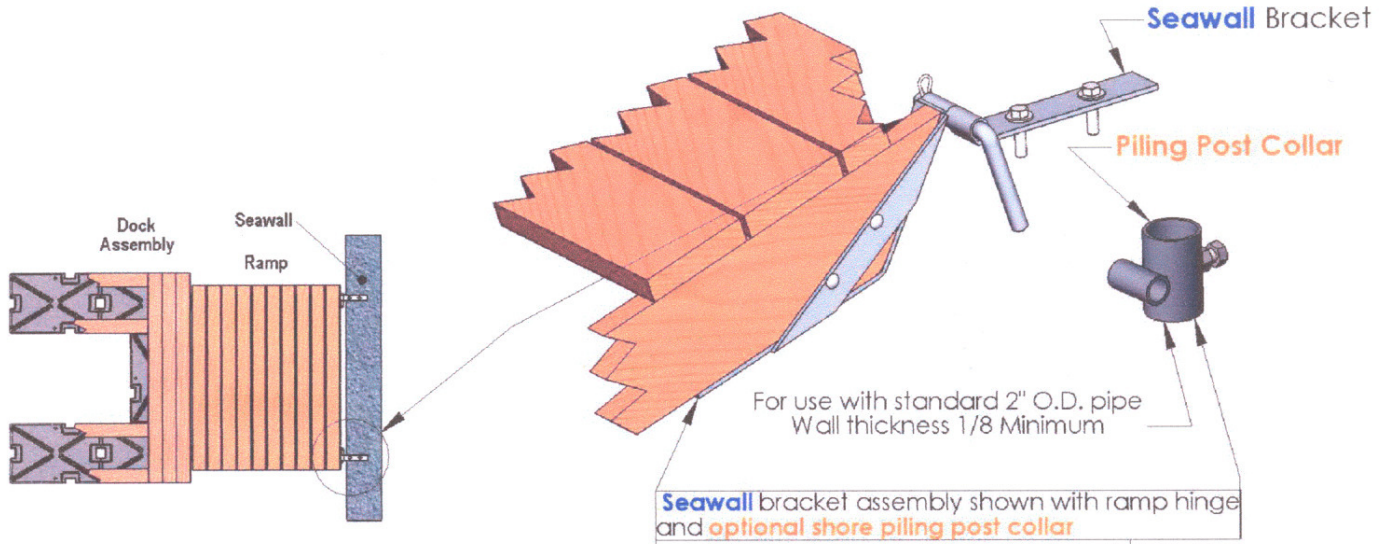
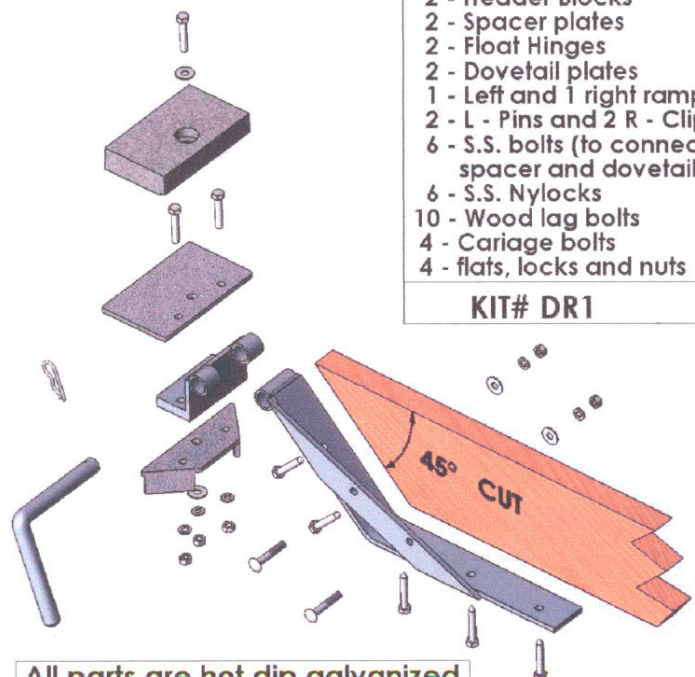
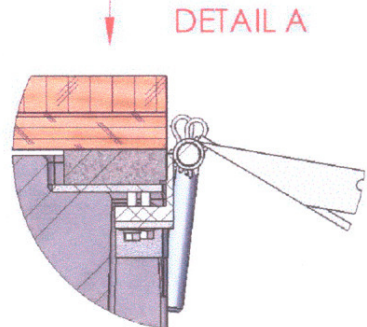


RAMP HINGE KITS (kits sold in pairs)



SEAWALL END RAMP KIT:	SHORE PILING END RAMP KIT:
<ul style="list-style-type: none"> 1 - left and 1 right ramp hinge 2 - L - Pins and 2 R - Clips 2 - seawall ramp brackets 10 - wood lags 4 - Carriage bolts 4 - flats, locks and nuts 	<ul style="list-style-type: none"> 1 - left and 1 right ramp hinge 2 - L - Pins and 2 R - Clips 2 - shore piling post collars 10 - wood lags 4 - Carriage bolts 4 - flats, locks and nuts
KIT# SR1	KIT# PR1

DOCK END RAMP KIT:
<ul style="list-style-type: none"> 2 - Header Blocks 2 - Spacer plates 2 - Float Hinges 2 - Dovetail plates 1 - Left and 1 right ramp hinge 2 - L - Pins and 2 R - Clips 6 - S.S. bolts (to connect hinge, spacer and dovetail plates) 6 - S.S. Nylocks 10 - Wood lag bolts 4 - Carriage bolts 4 - flats, locks and nuts
KIT# DR1



All parts are hot dip galvanized



This design is the sole property of Dewdocks Inc. and may only be distributed for the use and construction of Dewdocks Products. Any duplication or distribution of this design for other purposes without the consent from Dewdocks Inc. may result in copyright infringement.

Design #: DEW RAMP HINGE
Revision Date: Sep 12, 2007