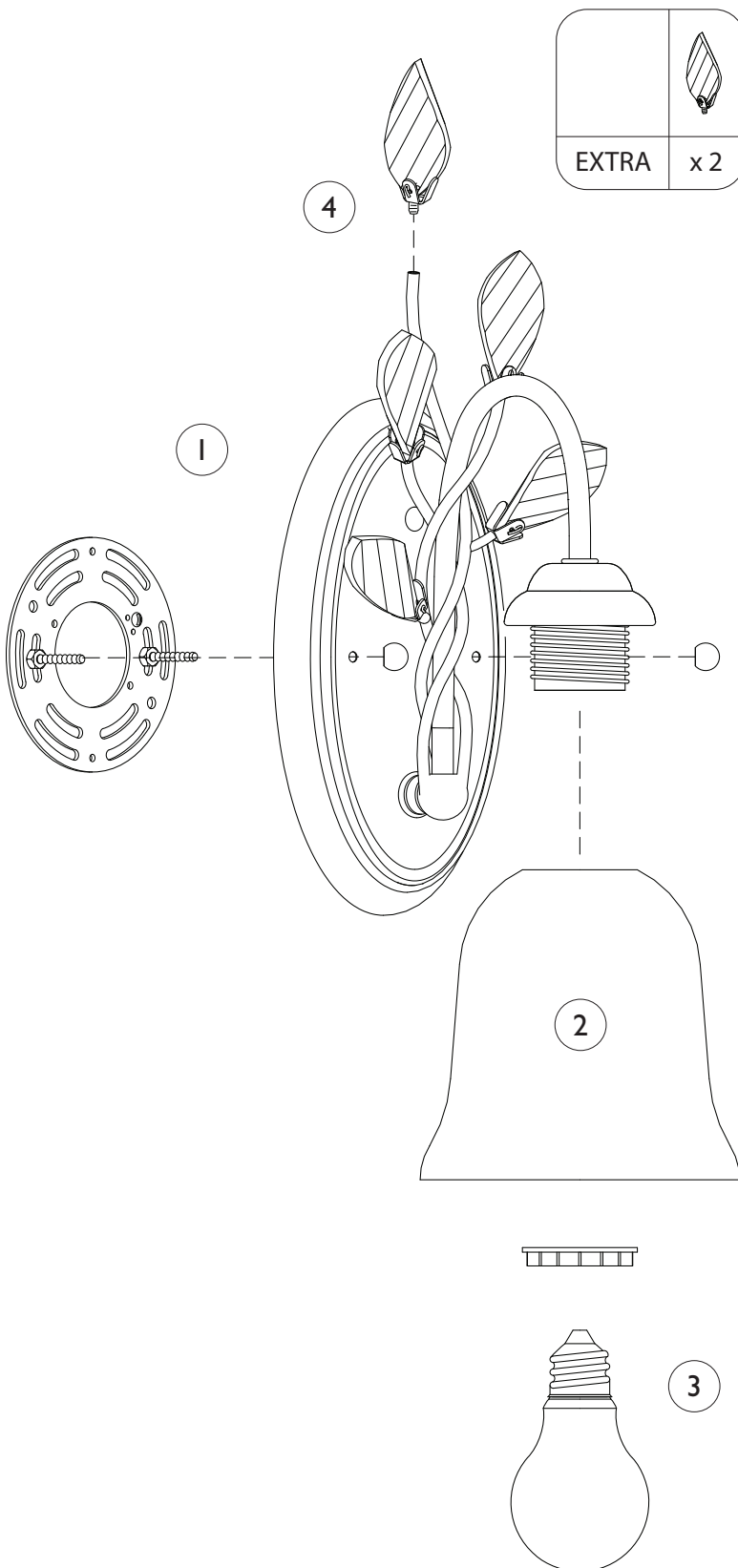


Assembly Instructions For

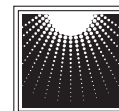
VS19101 (E) 4/11



IMPORTANT TURN OFF THE POWER AT THE MAIN FUSE OR CIRCUIT BREAKER BOX BEFORE STARTING INSTALLATION

Carefully unpack and identify all parts before assembly. Bulb not included.

1. Follow enclosed supplement installation instructions for electrical and fixture installation onto house outlet box. If you do not have an outlet box at desired location to attach the fixture then hire a qualified electrician to create one.
2. Install shade by fastening with counter ring.
3. Install light bulb (not included). See relamping label at socket area for type and maximum allowed wattage.
4. Install all crystal glass parts as shown on drawing. NOTE: To replace broken crystal, extras are included in hardware bag.



**MURRAY
FEISS**

GENERATION
BRANDS™