



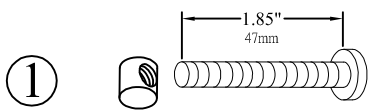
▲ WARNING:

Small parts and sharp points may be present prior to assembly.

Care Instructions

To clean your product, use mild soap and water on a damp cloth. Do not use window cleaners or cleaning abrasives as they will scratch the surface and could damage the protective coating.

HARDWARES:



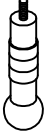
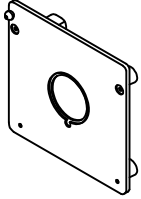
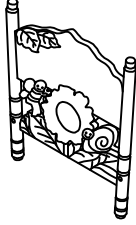
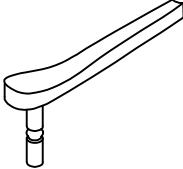
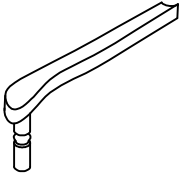
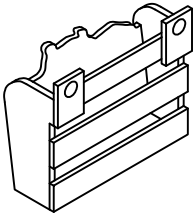
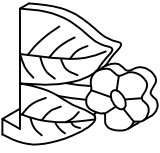
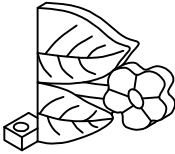


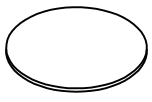
6SETS



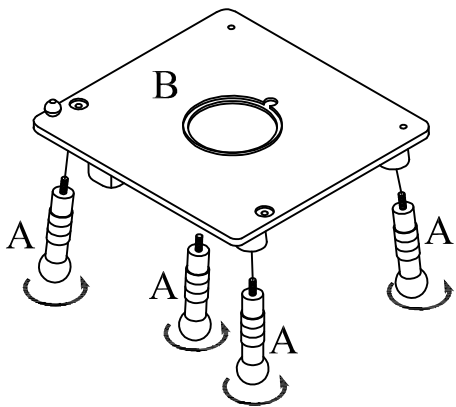
6PCS

PRODUCT PARTS:

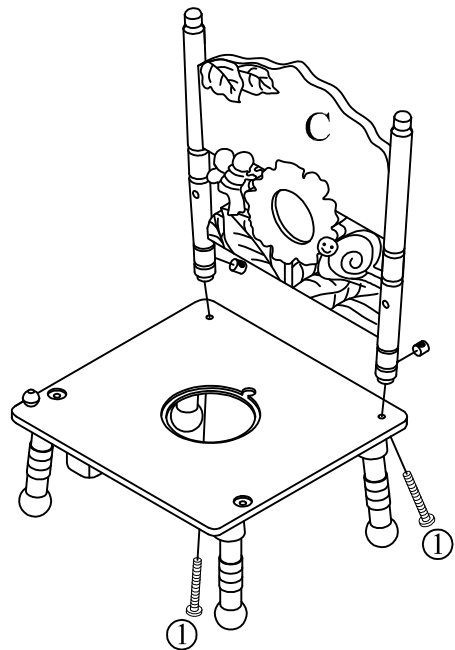
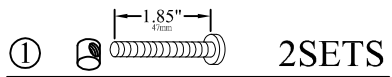
ITEM NO: KYW-5093A

<p>A</p>  <p>4PCS</p>	<p>B</p>  <p>1PC</p>	<p>C</p>  <p>1PC</p>	<p>D</p>  <p>1PC</p>
<p>E</p>  <p>1PC</p>	<p>F</p>  <p>1PC</p>	<p>G</p>  <p>1PC</p>	<p>H</p>  <p>1PC</p>
<p>I</p>  <p>1PC</p>	<p>J</p>  <p>1PC</p>	<p>K</p>  <p>1PC</p>	<p>L</p>

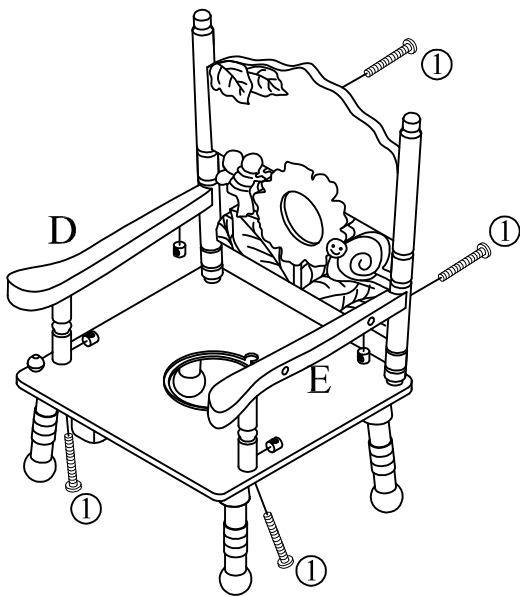
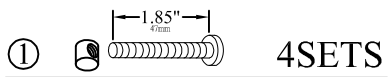
STEP 1



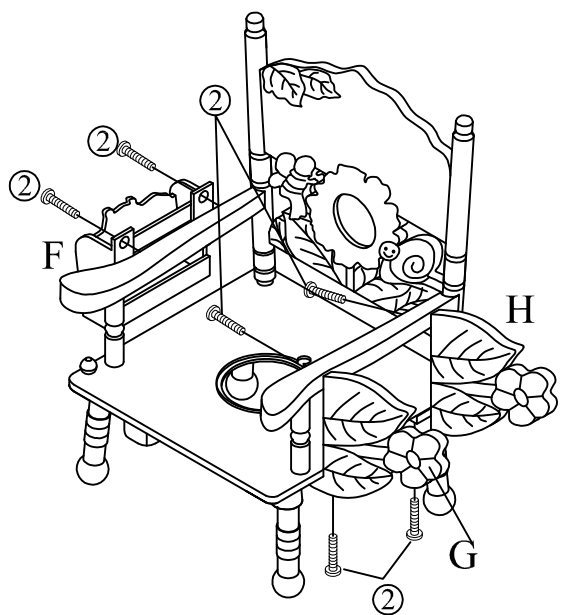
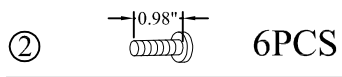
STEP 2



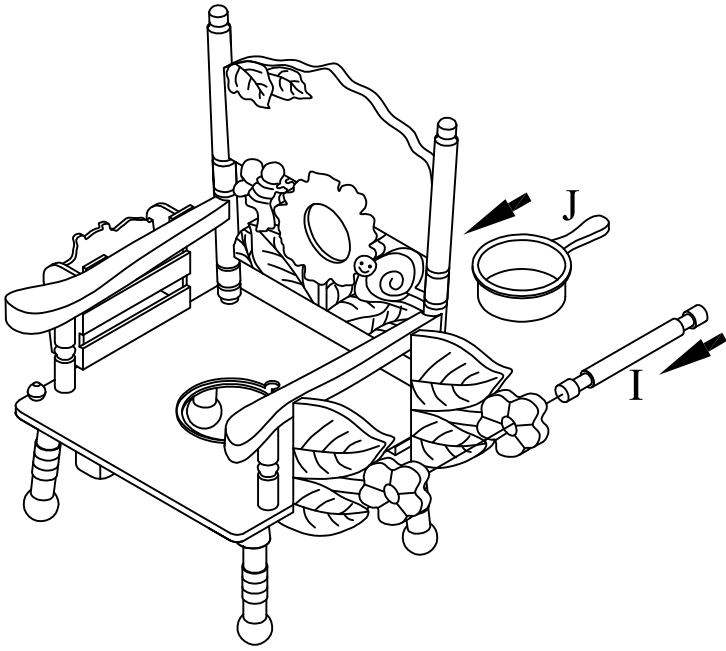
STEP 3



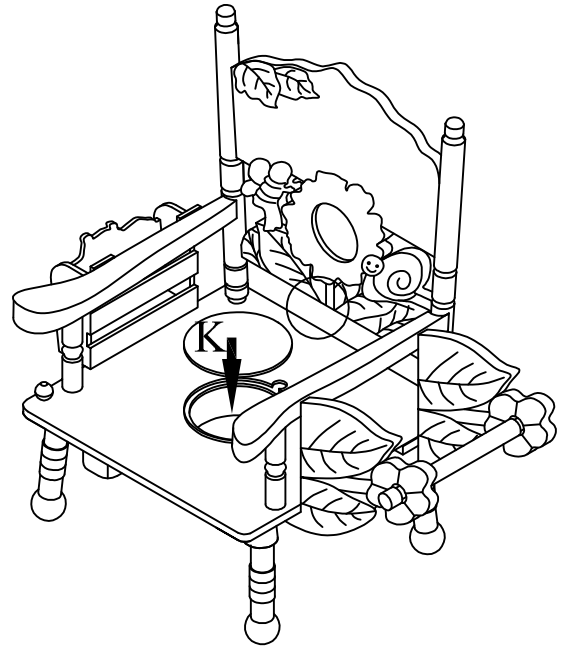
STEP 4



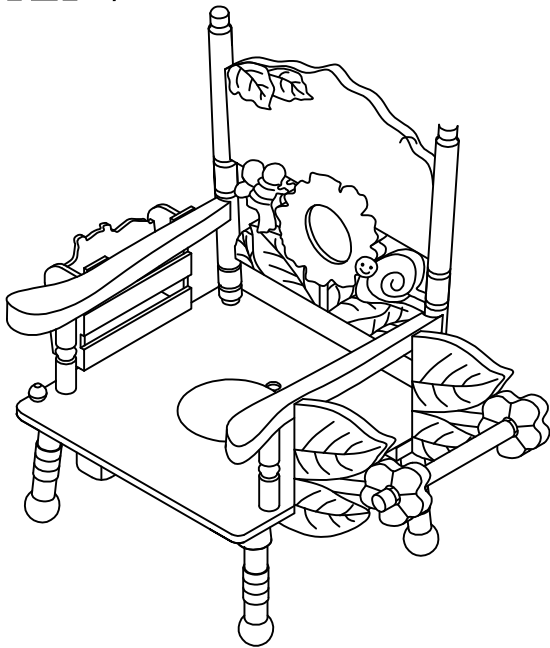
STEP 5



STEP 6



STEP 7



(Finished Product)

MADE IN CHINA