



**▲ WARNING:**

Small parts and sharp points may be present prior to assembly.

Care Instructions

To clean your product, use mild soap and water on a damp cloth. Do not use window cleaners or cleaning abrasives as they will scratch the surface and could damage the protective coating.

**HARDWARES:**

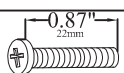


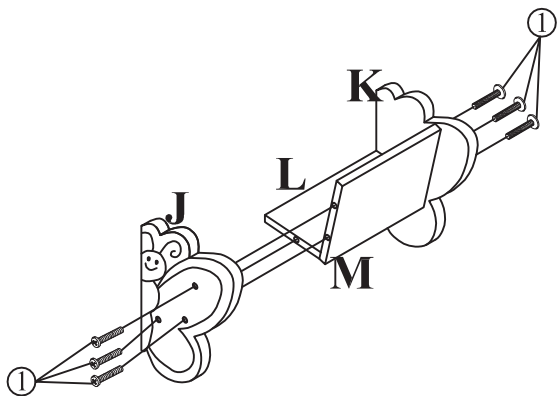
**PRODUCT PARTS:**

**ITEM NO: KYW-7624A**

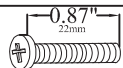
<p>A</p> <p>1PC</p>	<p>B</p> <p>1PC</p>	<p>C</p> <p>1PC</p>	<p>D</p> <p>1PC</p>	<p>E</p> <p>1PC</p>	<p>F</p> <p>1PC</p>
<p>G</p> <p>1PC</p>	<p>H</p> <p>2PCS</p>	<p>I</p> <p>1PC</p>	<p>J</p> <p>1PC</p>	<p>K</p> <p>1PC</p>	<p>L</p> <p>1PC</p>
<p>M</p> <p>1PC</p>	<p>N</p> <p>2PCS</p>	<p>O</p> <p>1PC</p>	<p>P</p> <p>1PC</p>	<p>Q</p>	

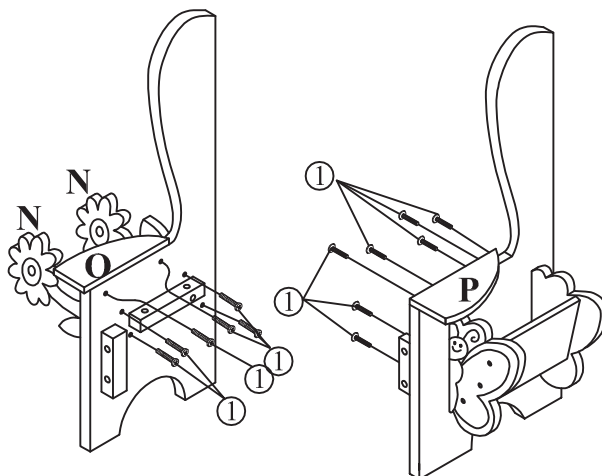
### STEP 1

①  6PCS

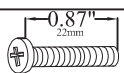


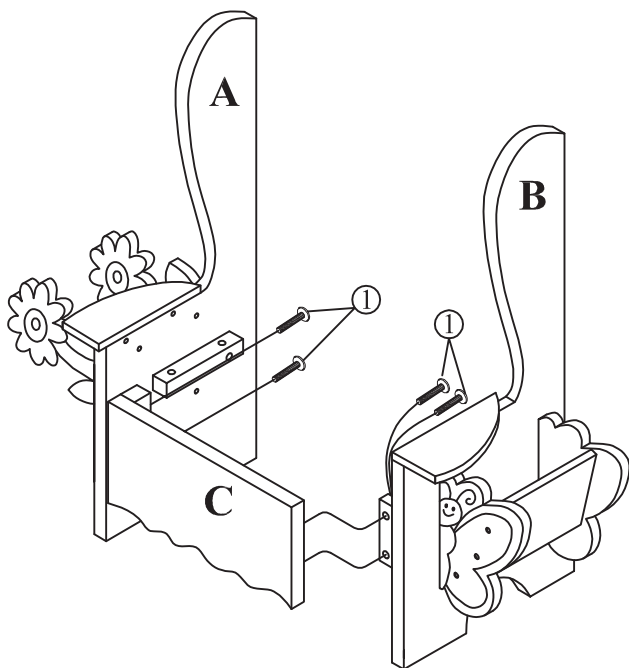
### STEP 2

①  6PCS

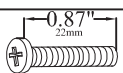


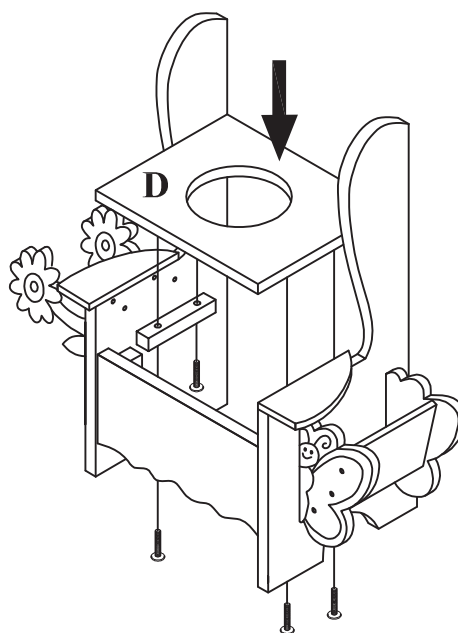
### STEP 3

①  6PCS

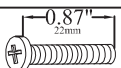


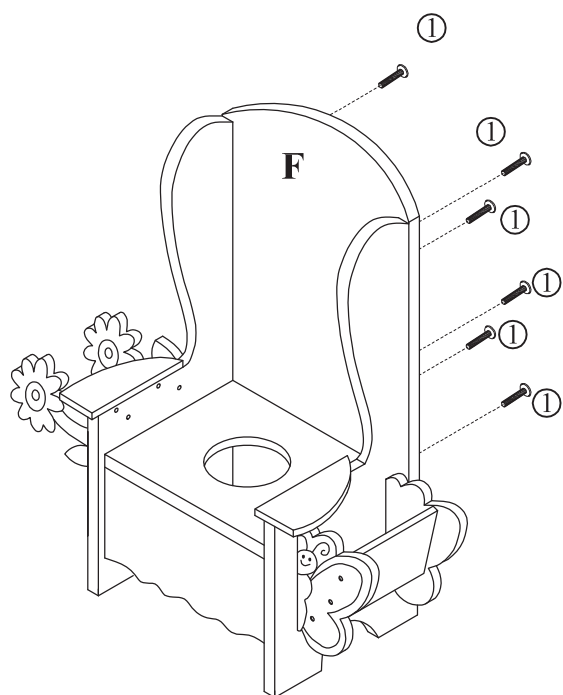
### STEP 4

①  6PCS



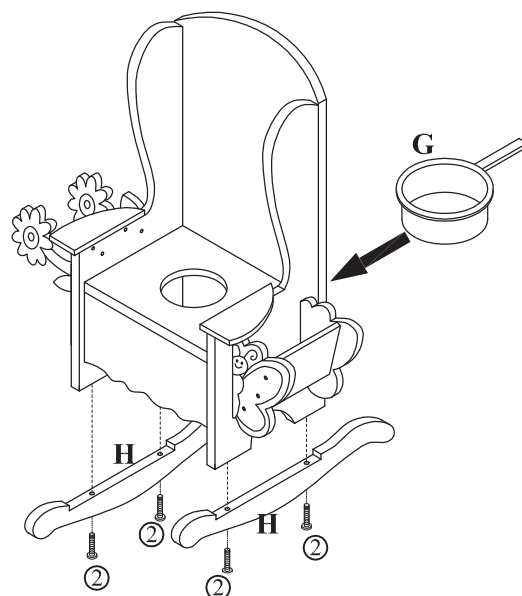
## STEP 5

①  6PCS

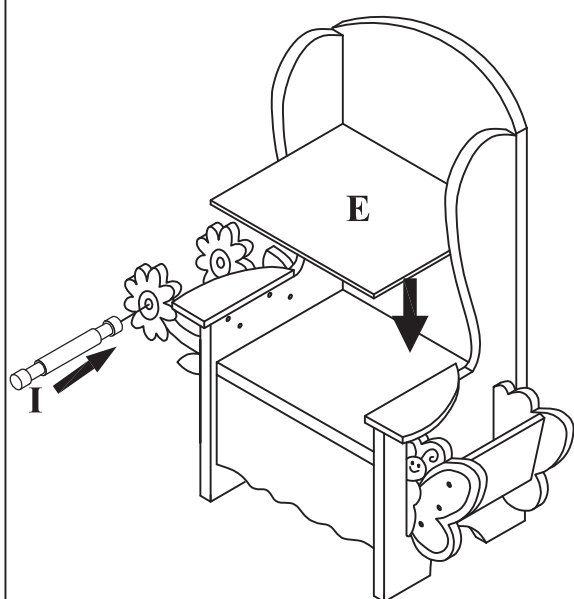


## STEP 6

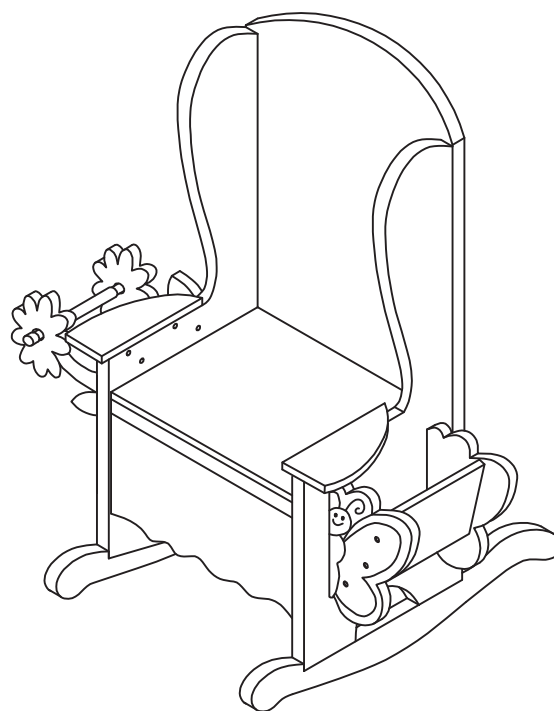
②  4PCS



## STEP 7



## STEP 8



(Finished Product)

MADE IN CHINA