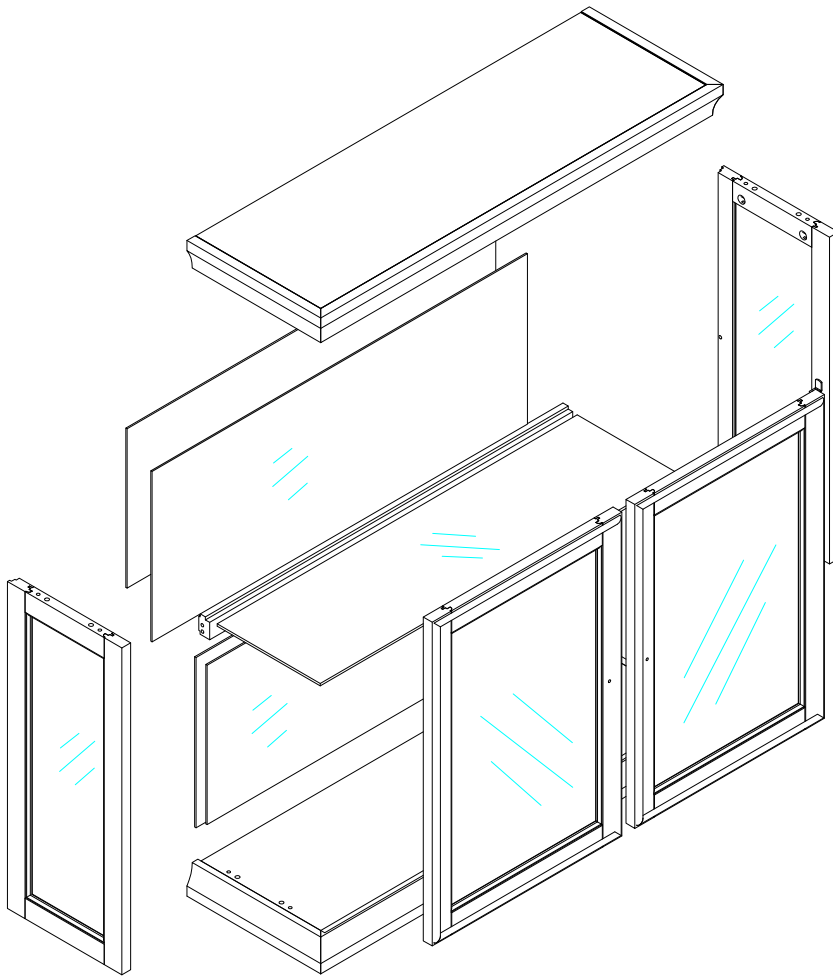
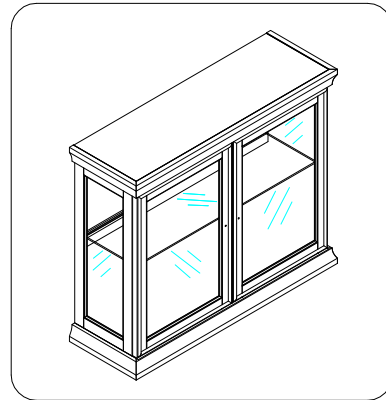




STYLE NO.: BEO86800TX  
MAHOGANY DBL-DOOR CURIO

**SOUTHERN ENTERPRISES INC.**

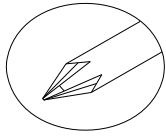
RELAX...If you can follow a few easy, step-by-step directions  
in order .YOU CAN ASSEMBLE THIS ITEM.



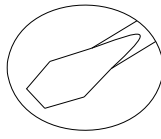
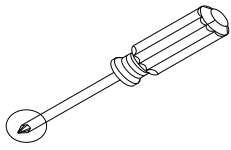
## BEΦΟΡΕ ΑΣΣΕΜΒΛΨ

**IMPORTANT NOTE:** READ CAREFULLY BEFORE ASSEMBLY TO PREVENT DAMAGE TO PARTS. Following instruction listed below in the proper sequence as numbered to assure fast, easy and correct assembly.

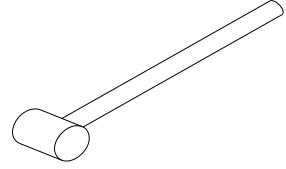
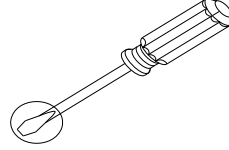
## ΑΣΣΕΜΒΛΨ ΤΟΟΛΣ ΡΕΘΥΡΕΔ



Π+Σχρεω δριπερ



Π-Σχρεω δριπερ



Rubber Mallet

## ΗΙΔΔΕΝ ΧΟΝΝΕΧΤΟΡ ΑΣΣΕΜΒΛΨ ΤΕΧΗΝΙΘΥΕΣ ΦΟΡ ΛΟΧΚ ΝΥΤ & ΛΟΧΚ ΠΙΝ

1 SET INCLUDES: (C) CAM-LOCK 1PC. (A) CAM BOLT 1PC.

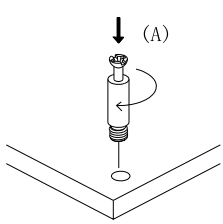
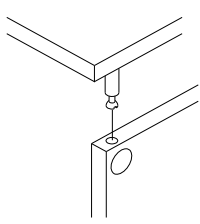
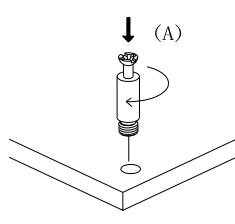
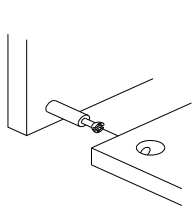
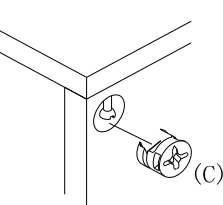
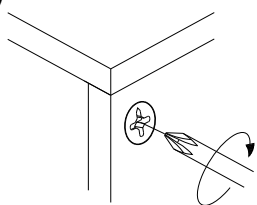
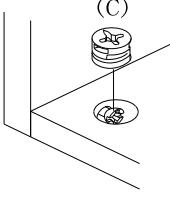
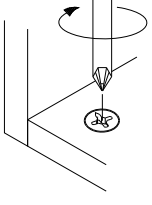
TOOL NEEDED: "+"SCREW DRIVER

STEP 1: SCREW CAM BOLT(A) ONTO PRE-SET PLASTIC NUT ON PANEL.USE A "+" SCREW-DRIVER FOR TIGHTENING. ATTENTION: DO NOT OVERTIGHTEN THE CAM BOLT(A)

STEP 2:ATTACH BOTH PANELS,MAKE SURE YOU HAVE INSERTED THE CAM BOLT TO THE VERY DEPTH OF THE HOLE WITH RUBBER MALLET GENTLY,CAUTION: DO NOT USE HAMMER. THEN INSERT CAM-LOCK(C) INTO PRE-DRILLED HOLE ON PANEL, MAKE SURE THE ARROW ON CAM-LOCK(C) SET IN PANEL POINT TOWARD THE HOLE INTO WHICH THE CAM BOLT(A) HAS BEEN INSERTED AND INSERTED THE CAM-LOCK(C) TO THE VERY DEPTH OF THE HOLE.

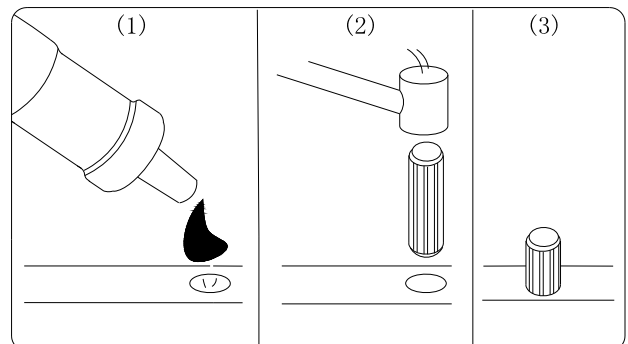
STEP 3:ROTATE THE CAM-LOCK(C) CLOCK WISE TO SECURE CAM-BOLT(A) TIGHTEN BY A "+" SCREWDRIVER

DETAIL STEP PLEASE SEE THE BELOW PICTURE.



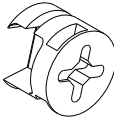
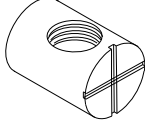
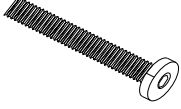
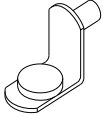

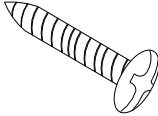
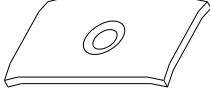
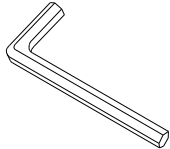
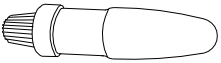
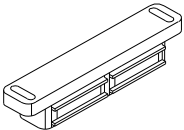
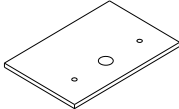
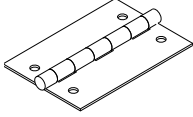

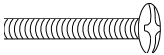
VERTICAL CONNECTION		HORIZONTAL CONNECTION	
(1) 	(2) 	(1) 	(2) 
(3) 	(4) 	(3) 	(4) 

## WOODEN DOWEL INSTALLATION PROCEDURE

- (1) FILL HOLE 1/4 FULL OF GLUE.
- (2) GENTLY TAP DOWEL INTO HOLE WITH RUBBER MALLET OR USE HAND PRESS IN.  
DO NOT USE HAMMER
- (3) WIPE AWAY EXCESS GLUE.



## HARDWARE LIST

<p>A:CAM BOLT X4PCS</p> 	<p>B:WOOD DOWEL X12PCS</p> 	<p>C:CAM LOCK X 4PCS</p> 	<p>D:CAM NUT X 4PCS</p> 	<p>E:HEXAONAL BOLT X4PCS</p> 	
<p>F:METAL SHELF BRACKET X2PCS</p> 	<p>G:FLAT HEAD LONG SCREW X18PCS</p> 	<p>H:ROUND HEAD SCREW X29PCS</p> 	<p>I:THE SLICE OF IRON X5PCS</p> 	<p>J:HANDLE X1PC</p> 	
<p>K:GLUE X1PC</p> 	<p>L:MAGNETC CATCH X1PC</p> 	<p>M:MAGNET X2PCS</p> 	<p>N:HINGE X4PCS</p> 	<p>O:KNOB X2PCS</p> 	<p>P:LONG BOLT X2PCS</p> 

## PARTS LIST

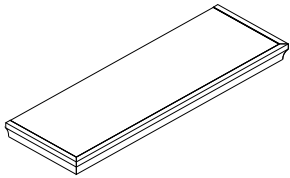
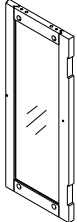
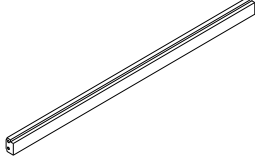
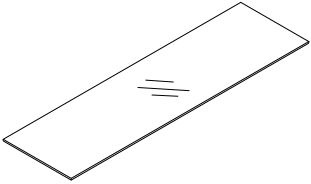
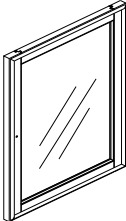
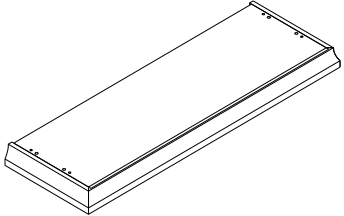
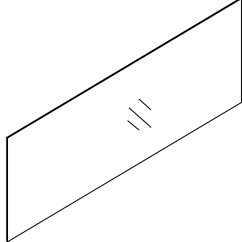
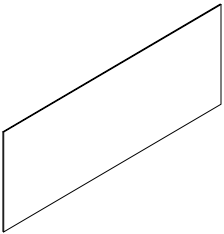
<p>(1) TOP FRAME X1PC</p> 	<p>(2)SIDE FRAME X2PCS</p> 	<p>(3)BACK POST X1PC</p> 
<p>(4)MIDDLE GLASS X1PC</p> 	<p>(5)DOOR FRAME XPC</p> 	<p>(6)BOTTOM FRAME X1PC</p> 
<p>(7)BACK MIRROR X2PC</p> 	<p>(8)BACK PANELO X2PC</p> 	

FIGURE 1:fix side frame (2) to Back post (3) with wood dowel(B),cam bolt (A) and cam lock (c). (Please read the “BEFORE ASSEMBLY” part at first and follow it in the following steps).

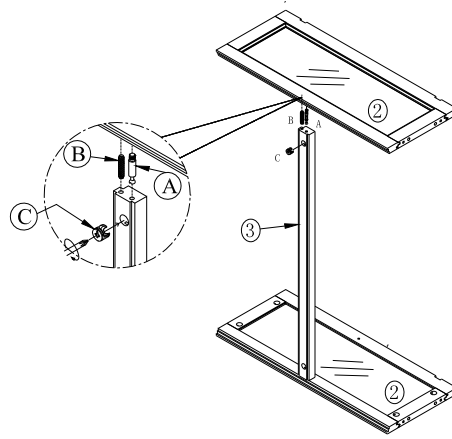


FIGURE 2:Fix Bottom frame (6) to the assembled unit with (B) ,(C)and(D), as noted in BEFORE ASSEMBLY, then insert (E) into the pre-drilled holes of Bottom frame (6)and tighten it clockwise with (J)

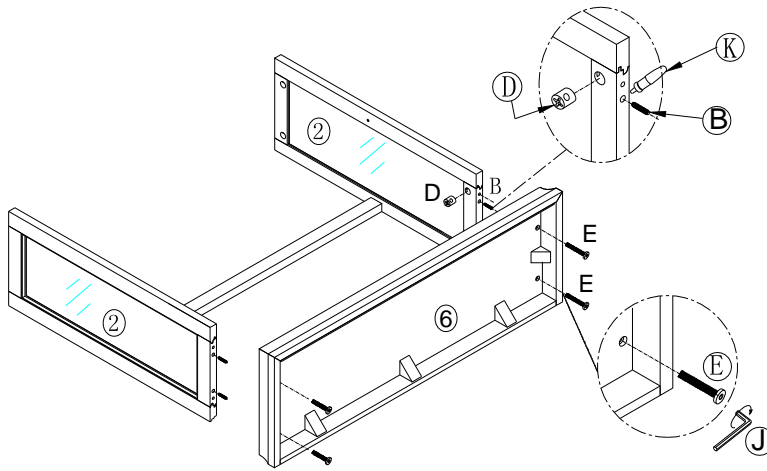


FIGURE 3:Fit Top frame (1) and the unit Assembled in FIGURE 2 together with (A), (B) and (C).

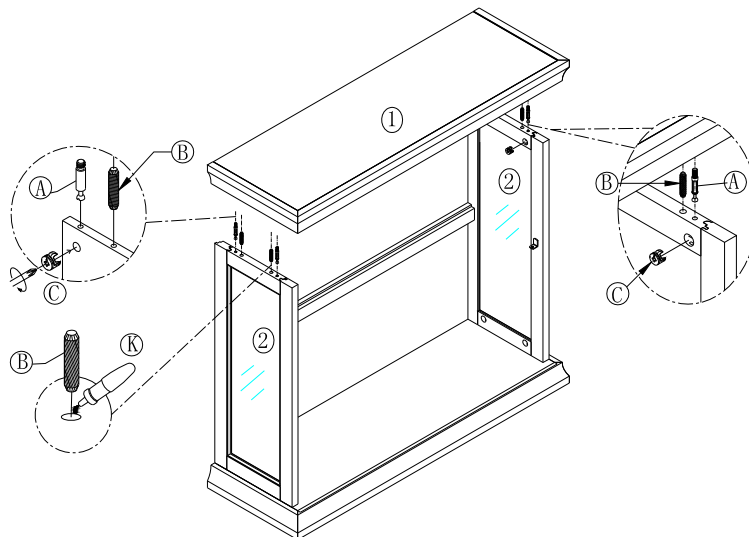


FIGURE 4: Insert Back mirror (7) into the groove of the assembled unit as picture shown.

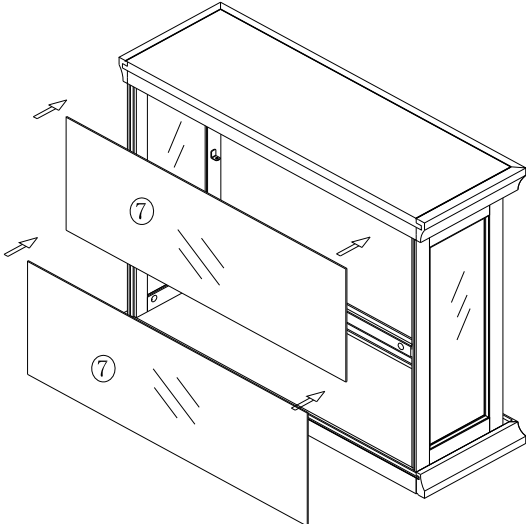


FIGURE 5:Then cover Back mirror(7)with Back panel(8),and fasten Back panel (8)with (H) and (I), as shown in the picture.

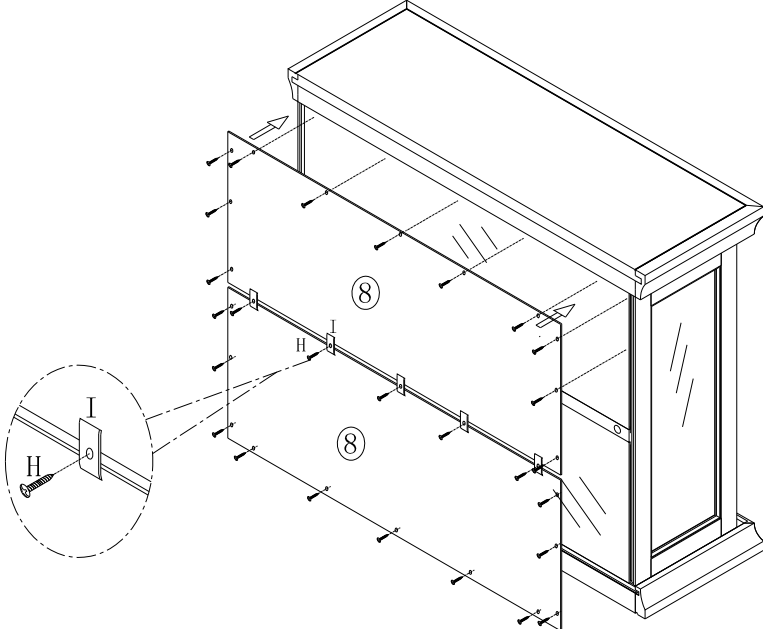


FIGURE 6:Insert (F) into the predrilled holes of Side frame (2) as pictured.

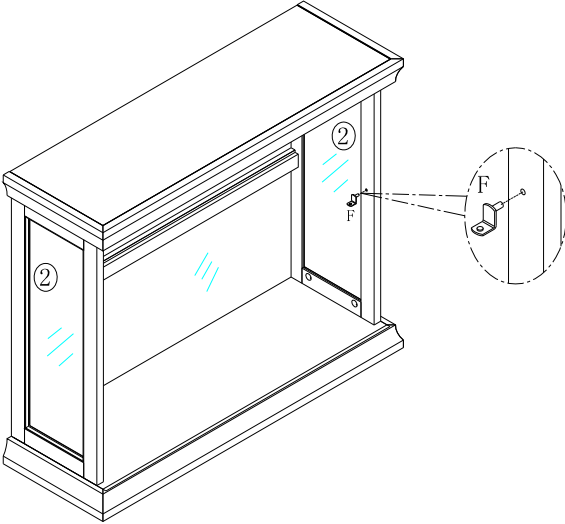


FIGURE 7: Install MIDDLE GLASS (4) in the arrow direction ,make sure the MITAL SHELF BRACKET (F) hold MIDDLE GLASS(4) stably

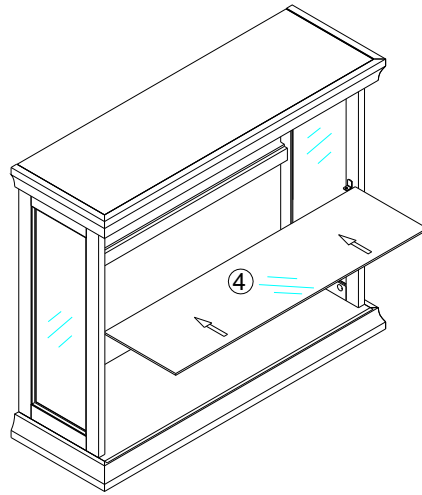


FIGURE 8:

- a: Attach Door Frames (5) to the unit you have assembled. Fix hinges (N) to Door frames (5) WITH FLAT HEAD SCREW (G).
- b: Attach knobs (O)to the middle of Door frame using long bolts (P).use “+” screwdriver for tightening.
- c: Use round head screws (H) to fix the Magnetic catch (L)to Top Panel.
- d: Attach two magnets (M) onto the top corner of the Door frame (5) using flat head screws (G).

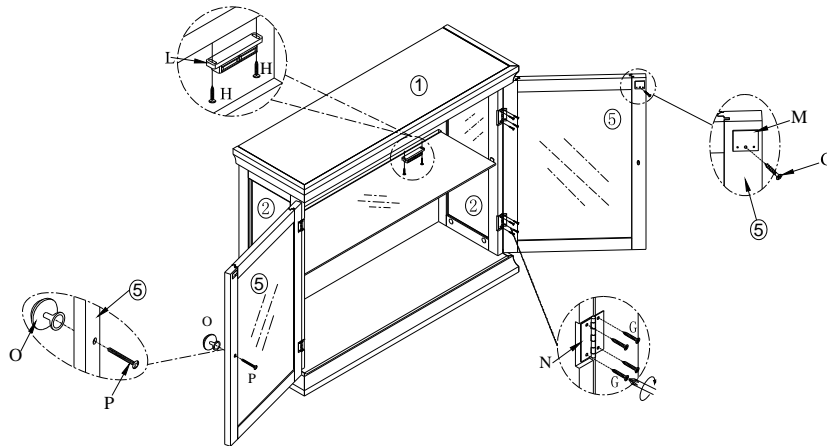
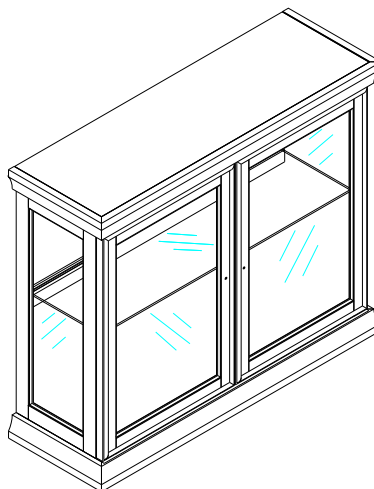


FIGURE9: Assembled product picture



YOUR NEW MAHOGANY DBL-DOOR CURIO FINISHED AND READY TO USE.

Please count, identify and compare parts and hardware list to be sure all parts are present. It may help to divide Parts and label them to correspond with part list. Extra hardware may be included. If any items are missing.

Please contact our parts/service department at (800)633-5096 or in Dallas (972)869-0111/9am-4pm Mon-Fri Central time. Missing or damaged hardware and/or parts will be replaced free of charge. WE DO NOT SELL PARTS. WE DO NOT RECOMMEND MODIFYING PRODUCT (S) AND WE ARE NOT RESPONSIBLE FOR ANY DAMAGES DUE TO PRODUCT MODIFICATION (S). If this product has not been purchased from our retail affiliates (within 9 months). We are under on obligation to provide parts or replacement merchandise parts will not be available for items arriving fully assembled.

PARTS REPLACEMENT FORM

STYLE NO: BEO86800TX

Customer Name	PARTS LETTER	PART DESCRIPTION	QUANTITY NEEDED
---------------	--------------	------------------	-----------------

\_\_\_\_\_  
Street,City, State,zip

Phone#



Please indicate where you purchased this item.

Store/website/catalog

SOUTHERN ENTERPRISES INC. \_\_\_\_\_ / /

P. O. Box 59996 Dallas , Texas 75229

Please indicate color/size/style number \_\_\_\_\_

\_\_\_\_\_ / /