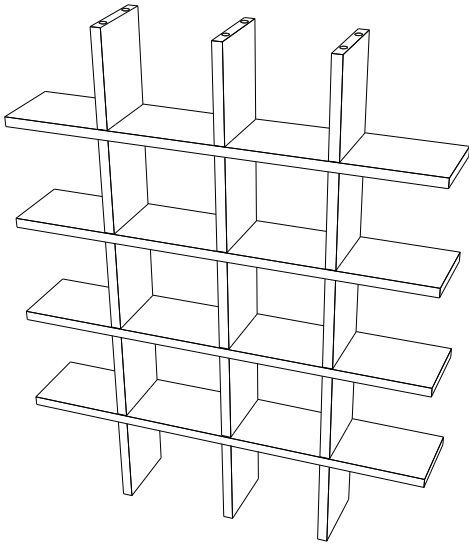


# Tic Tac Toe BOOKCASE (tall)



Thank you for purchasing the Tic Tac Toe Bookcase. This page lists all the contents included in the box. Please take time to identify the hardware as well as the individual components of this product. As you unpack and prepare for assembly, place the contents on a carpeted or padded area to protect them from damage.

Note: 2 people are required to safely assemble this product.

## HARDWARE



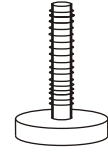
6 - hex nut -A



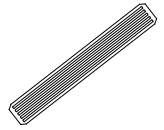
6 - hex nut -B



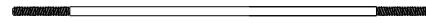
12 - washer



6 - feet



24 - wood dowels



6 - threaded rod

### Anti-tip hardware:



1 - wall anchor



1 - plastic belt



2 - connector



1 - small screw  
flat head for cabinet



1 - small screw  
pan head for wall

### Missing hardware?

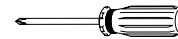
Please email us at [furniture@tagltd.com](mailto:furniture@tagltd.com) for replacements.

## TOOLS REQUIRED

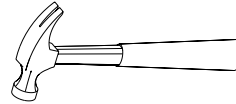
Hex wrench



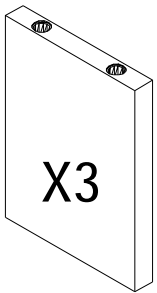
Phillips Head Screwdriver



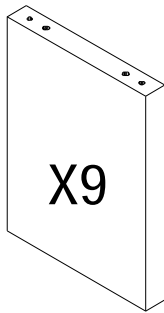
Hammer



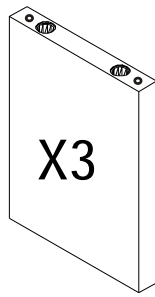
## COMPONENTS



X3



X9

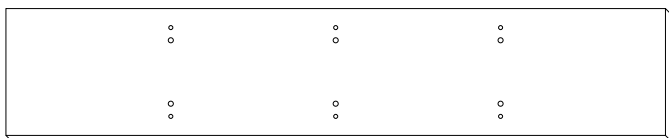


X3

3 - top upright

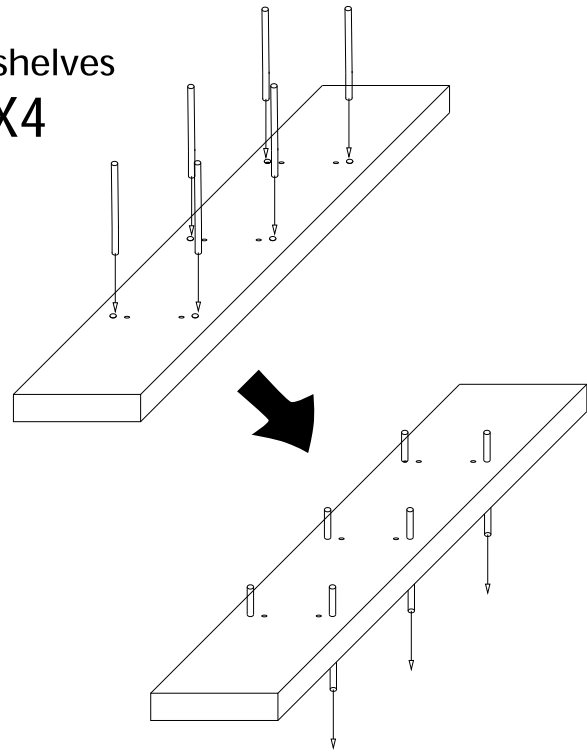
9 - center upright

3 - bottom upright

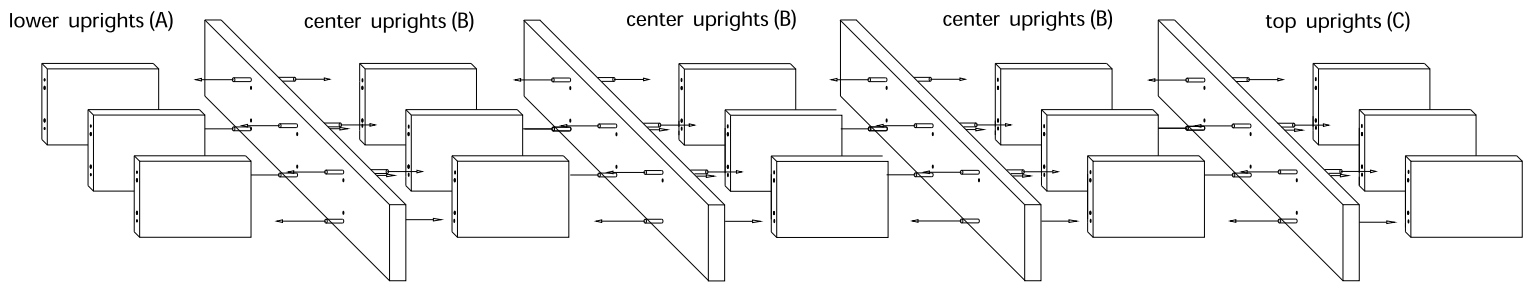


4 - shelves

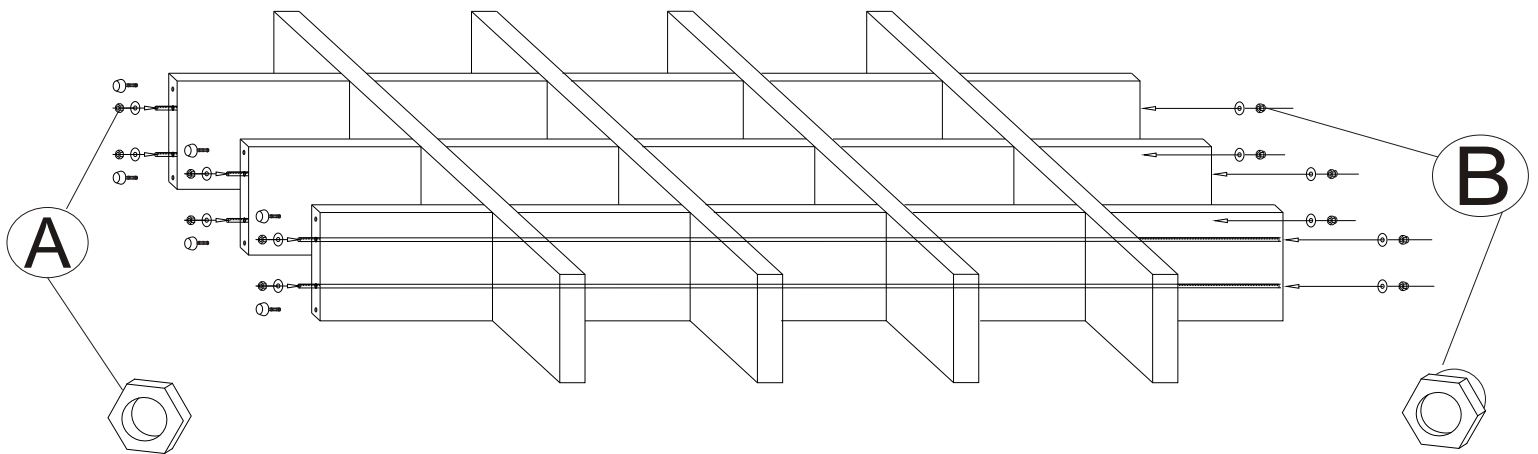
shelves  
X4



① Fit six wood dowels into six outer holes in each long shelves.



- ② Referring to the illustration above, attach all uprights onto (4) shelves with wood dowels.



**Remark: Assemble (6) Hex nut-B period to ( 6 )Hex nut-A**

- ③ Carefully slide each pair of threaded rods through the corresponding pair of holes on all uprights and shelves. The ends of the rods should be just visible inside of the large holes on upright (A) & (C). Put one washer on each end of the rods and then screw hex nuts onto each end. Use the wrench to tighten the nuts, but do not over-tighten them
- ④ Using a hammer pound two of the feet into each of the bottom uprights. Place them near the ends of each of the bottom edges. With the assistance of another adult, lift the assembled unit into an upright position. Assembly is now complete.

## CLEANING AND CARE

Clean surfaces with a dry or damp soft cloth. Do not use abrasive cleaners. Do not use furniture wax or polish as the wood is finished with a protective clear lacquer.

## OPTIONAL WALL ATTACHMENT

No wall anchor hardware is included with this unit. For safe installation it is essential to use anchor hardware appropriate for your wall type. Mount to wood wall studs whenever possible. If you are unsure of what type of fasteners to use, consult your local hardware store or a qualified professional. This product is only deterrent, it is not a substitute for proper adult supervision.

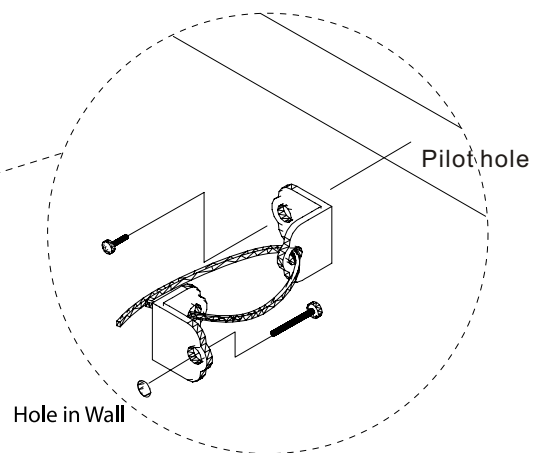
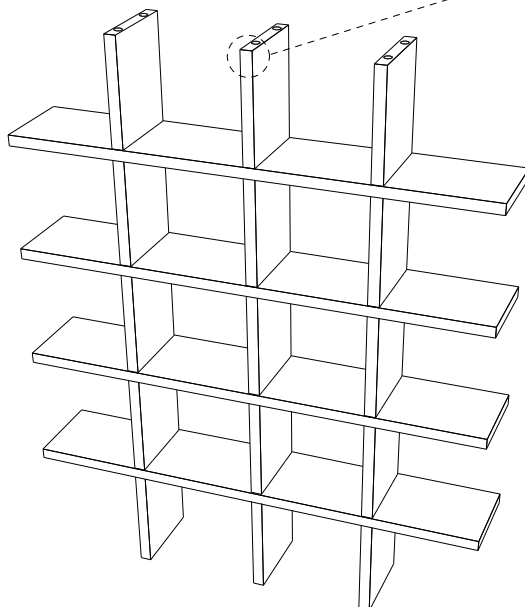
Locate the pilot hole on the back of the shelf as shown.

A. Attach 1 metal bracket with 1 screw to the shelf.

B. With the assistance of another adult, place bookcase in desired location against the wall. Mark wall directly opposite of pilot hole in shelf.

C. Attach 1 metal bracket to the wall at the mark. Secure with 1 wall anchor (not included), preferably into a wall stud. If not attaching to a stud, be sure to use hardware appropriate to your wall type (drywall, masonry, etc).

D. Place bookcase back into position against the wall. Thread the end of the wall strap through each bracket and into the notched end of the strap. Pull until tight.



## CLEANING AND CARE

Clean surfaces with a dry or damp soft cloth. Do not use abrasive cleaners.