

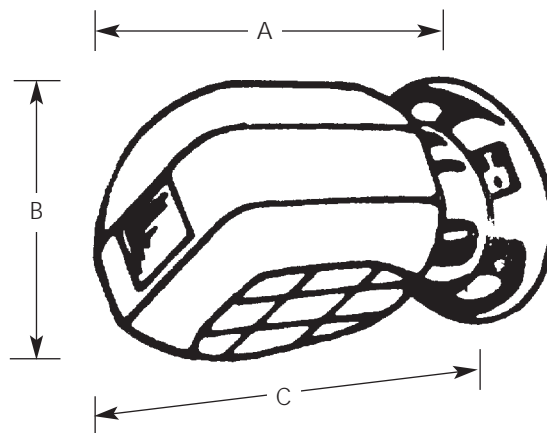
Type \_\_\_\_\_

-15

P3080

P3081

Catalog No.	Finish Polished Chrome	Lamping	Dimensions (Inches)		
			A	B	C
P3080	-15	1 (m) 100w	4-3/4	4-3/4	6-3/4
P3081	-15	1 (m) 100w	4-3/4	4-3/4	6-3/4



**Specifications:**

General

- White glass with a clear ribbed window for more effective face lighting
- Glass installed with thumb screws
- Polished Chrome canopy

Mounting

- Wall mount
- Covers outlet box
- Canopy is 4-3/4" diameter
- Mounting strap for outlet box included

Electrical

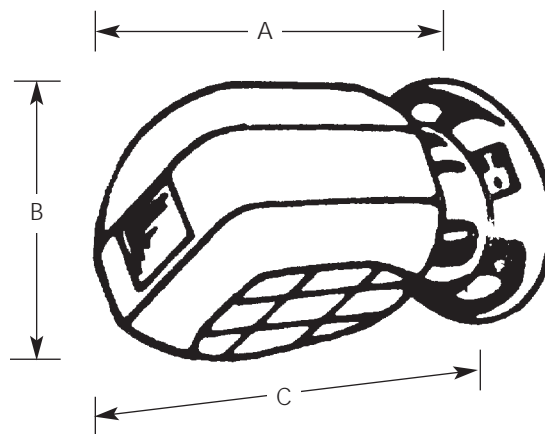
- Medium based phenolic sockets
- P3080 - GCO installed, and K.O. for a switch
- P3081 - K.O.'s only for switch and GCO
- Pre-wired

Labeling

- UL-CUL "Damp Location" listed

Type \_\_\_\_\_  
 -15SW  
 P3083

Catalog No.	Finish Polished Chrome	Lamping	Dimensions (Inches)		
			A	B	C
P3083	-15SW	1 (m) 100w	4-3/4	4-3/4	6-3/4



**Specifications:**

General

- White glass with a clear ribbed window for more effective face lighting
- Glass installed with thumb screws
- Polished Chrome canopy

Mounting

- Wall mount
- Covers outlet box
- Canopy is 4-3/4" diameter
- Mounting strap for outlet box included

Electrical

- Medium based phenolic sockets
- A pull chain switch and GCO installed
- Pre-wired

Labeling

- UL-CUL "Damp Location" listed