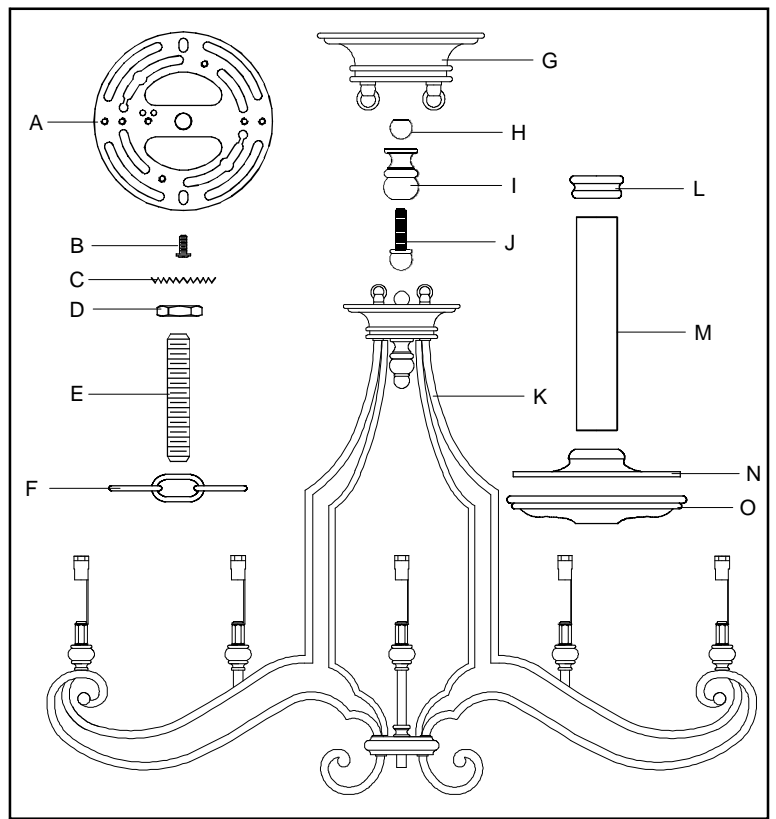


PACKAGE CONTENTS

ISSUED 08-2009

Part	Description	Quantity
A	Crossbar	1pc
B	Green Ground Screw	1pc
C	Lock Washer	2pcs
D	Hex Nut	2pcs
E	Nipple	1pc
F	Fixture Chain	2pcs
G	Ceiling Canopy	1pc
H	Lock Ball	1pc
I	Support Part	1pc
J	Lock Screw	1pc
K	Fixture Assembly	1pc
L	Cap	5pcs
M	Candle Cover	5pcs
N	Fixture Cover	5pcs
O	Bobèche	5pcs



! WARNINGS AND CAUTIONS

WARNING:

- Before beginning the installation, turn off electricity at the circuit breaker box or the main fuse box by switching off the circuit breaker or removing the fuse.

CAUTION:

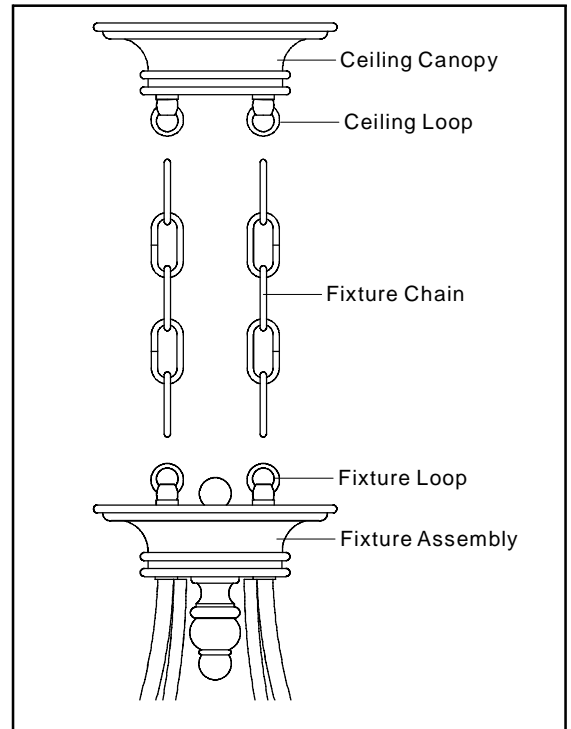
- These instructions are provided for your safety. It is very important that they are read completely before the installation of your fixture.
- We are strongly recommend that a professional electrician install the fixture.
- Disconnect fixture from the power source before replacing the bulb(s), making sure the bulb(s) had sufficient time to cool down. DO NOT subject the lamp to any shock while lit as shattering of lamp may result.

PREPARATION

- Before beginning installation of product, make sure all parts are present. Compare parts with package contents list and diagram above. If any part is missing or damaged, do not attempt to assemble, install or operate the product. Contact customer service for replacement part.
- Estimated Assembly Time : 45 - 60 minutes
- Tools Required for Assembly (not included) : Flathead screwdriver, Phillips screwdriver, pliers, electrical tape, wire cutters, safety glasses & 5, 60 Watt, Cand Base Bulbs.
- Helpful Tools (not included) : Wire Strippers.

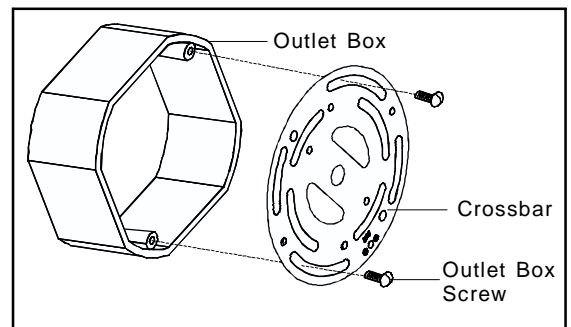
STEP 1:

- a. Attach one end of Fixture Chain onto Fixture Loop on the top of the fixture and then attach another end onto the Ceiling Loop on the bottom of the Ceiling Canopy.



STEP 2:

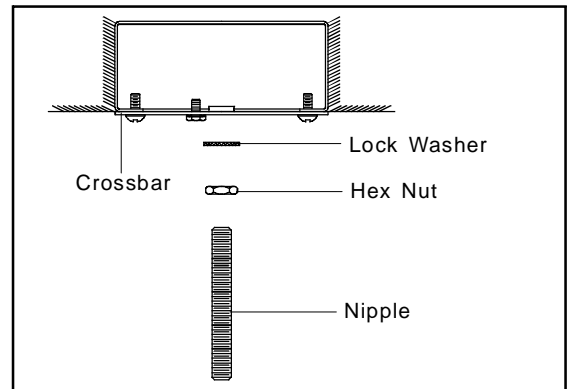
- a. Place the Crossbar onto the Outlet Box and aligning the Mounting Holes on the Outlet Box with a set of holes on the Crossbar. Secure the Crossbar with Outlet Box Screws and tighten until snug.



STEP 3:

* Pliers is required on this step.

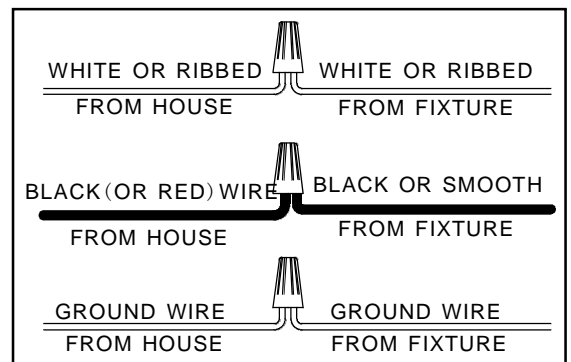
- a. Thread Hex Nut onto top end of the Nipple.
- b. Place Lock Washer over the top end of the Nipple and then thread the Nipple into the center lock hole of the Crossbar.
- c. Using pliers, thread the Hex Nut against the crossbar and hand tighten until snug.



STEP 4:

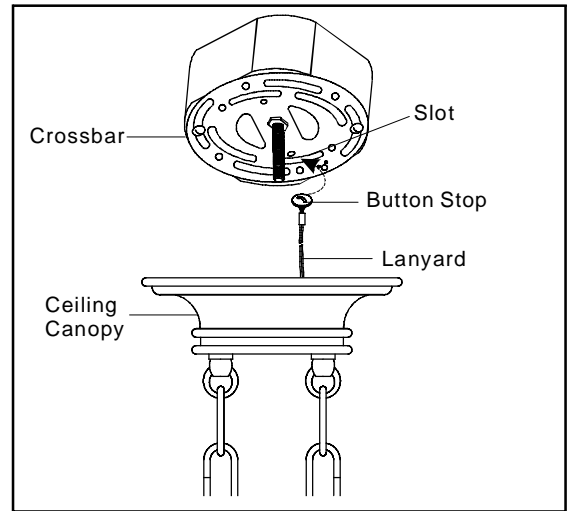
*Use Wire Connectors (not supplied) to connect the wires.

- a. Connect the House Ground Wire to the Fixture Ground Wire.
- b. Connect the House White (or Ribbed) Wire to the Fixture Supply Wire (White or Ribbed Side).
- c. Connect the House Black (or Red) Wire to the Fixture Supply Wire (Black or Smooth Side).
- d. Wrap each connection with approved electrical tape and carefully stuff all of the connected wires into the Outlet Box.



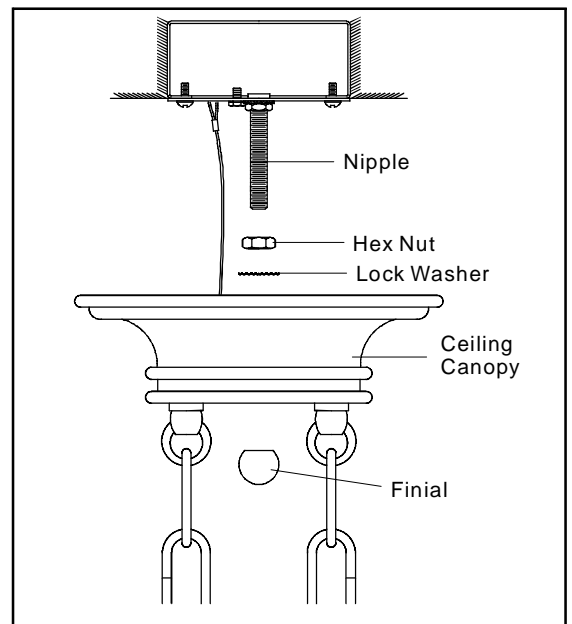
STEP 5:

- a. Locate the Ceiling Canopy onto the Crossbar and slip the Button Stop on the end of Lanyard into the Slot on the Crossbar as shown.



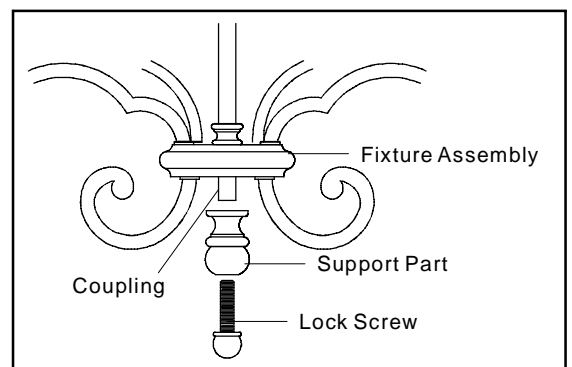
STEP 6:

- a. Screw the Hex Nut onto the end of the Nipple and adjust to proper location for Lock Washer, Ceiling Canopy and Finial.
- b. Pass the Lock Washer and the Ceiling Canopy over the end of the Nipple and secure with the Finial. Hand tighten until snug.



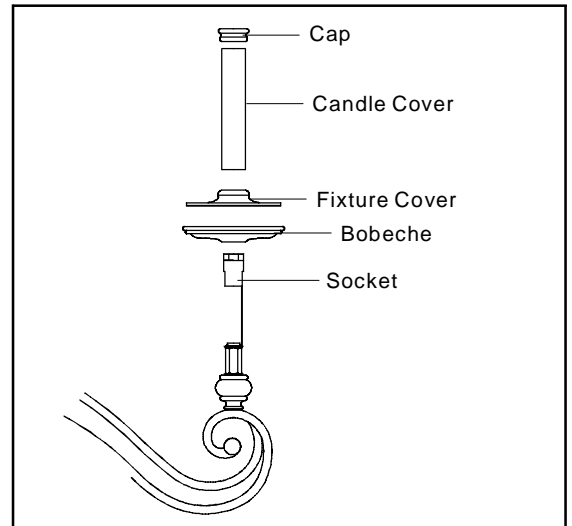
STEP 7:

- a. Place the Support Part over the Coupling underside of the Fixture Assembly. Secure by threading the Lock Screw into the Coupling and hand tighten until snug.



STEP 8:

- a. Pass the Bobeche, the Fixture Cover and the Candle Cover over the Socket in turn. And then place the Cap onto the top end of the Candle Cover.

**STEP 9:**

- a. Install correct Bulbs referring to fixture markings and/or labels for maximum wattage.

Your installation is completed now. Restore electricity. Keep this sheet for future reference.