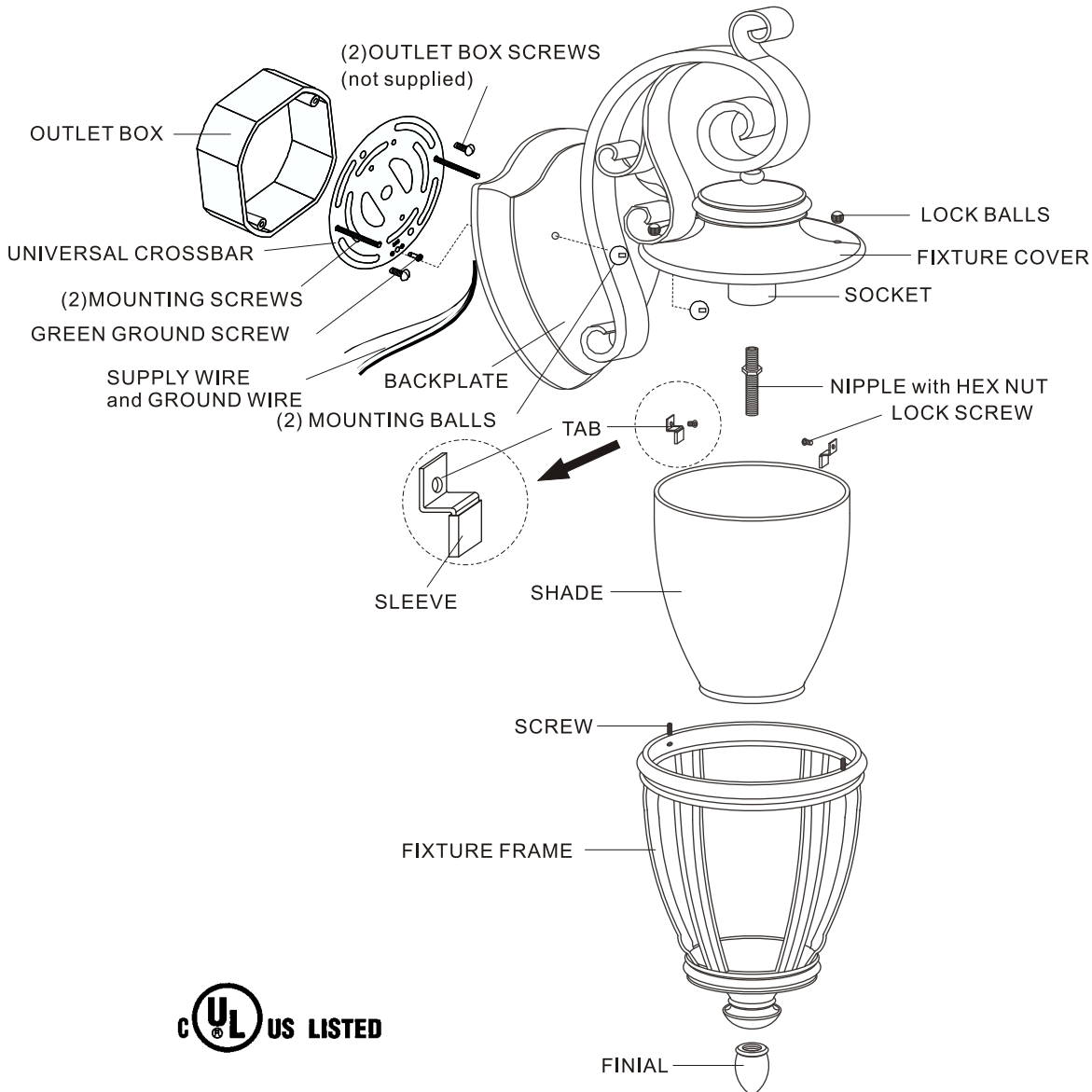


**FIGURE 1**



**INSTALLATION INSTRUCTIONS:**

1. Before beginning installation, carefully unpack and identify all parts referring to illustration FIGURE 1.
2. Turn power to installation point OFF. Locate the UNIVERSAL CROSSBAR and secure to OUTLET BOX with (2) OUTLET BOX SCREWS (not supplied).
3. **Make the connections:** (Quoizel recommends 2 people for this step) Locate and attach the HOUSE GROUND WIRE to the FIXTURE GROUND WIRE. Proceed to attach both to the UNIVERSAL CROSSBAR with GREEN GROUND SCREW. Use wire connectors (not supplied) attach the HOUSE WHITE WIRE to FIXTURE WHITE (or RIBBED SIDE) SUPPLY WIRE; connect the HOUSE BLACK (or RED) WIRE to the FIXTURE BLACK (or SMOOTH SIDE) WIRE. Wrap at connections with approved electrical tape.
4. Carefully tuck all wires into the WALL MOUNTED OUTLET BOX and position the fixture over the outlet box. Align the HOLES in the BACKPLATE with the (2) MOUNTING SCREWS attached to the UNIVERSAL CROSSBAR. Pass the fixture over the (2) MOUNTING SCREWS and secure against by threading WASHERS and (2) MOUNTING BALLS onto end of screw. Tighten until snug.
5. Locate the NIPPLE with HEX NUT through the hole on the bottom of FIXTURE FRAME. Thread the FINIAL onto the end of NIPPLE to secure the FIXTURE FRAME. Hand tighten until snug.
6. Locate SHADE inside of the FIXTURE FRAME. Locate the TABS onto the top end of SHADE lip, and match the holes on TABS with mounting holes on the top inside of FIXTURE FRAME. (Make sure there are SLEEVES on the TABS.) Thread the LOCK SCREWS into the mounting holes, hand tighten until snug.
7. Install bulb referring to fixture markings and/or labels for maximum wattage.
8. Lift the FIXTURE FRAME ASSEMBLY upward and make the SCREWS on the top edge of FIXTURE FRAME match the holes on the FIXTURE COVER. Secure them together by threading LOCK BALLS onto the SCREWS. Hand tighten until snug.
9. Restore power to the installation point ON. Retain this sheet for future reference.

***IF IN DOUBT ABOUT ELECTRICAL INSTALLATION,  
 CONSULT A LICENSED ELECTRICIAN!***