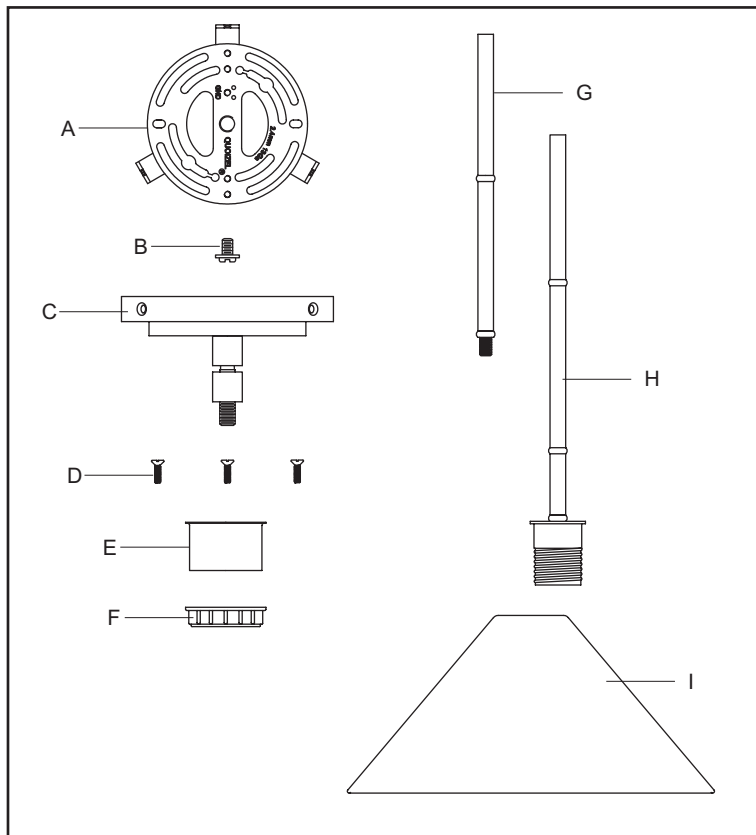


PACKAGE CONTENTS

ISSUED 04-2010

PART	DESCRIPTION	QUANTITY
A	Crossbar	1 pc
B	Green Ground Screw	1 pc
C	Ceiling Canopy	1 pc
D	Mounting Screw	3 pcs
E	Steel Collar	1 pc
F	Socket Collar	1 pc
G	Rod	2 pcs
H	Rod with Socket	1 pc
I	Shade	1 pc



! WARNINGS AND CAUTIONS

WARNING:

- Before beginning the installation, turn off electricity at the circuit breaker box or the main fuse box by switching off the circuit breaker or removing the fuse.

CAUTION:

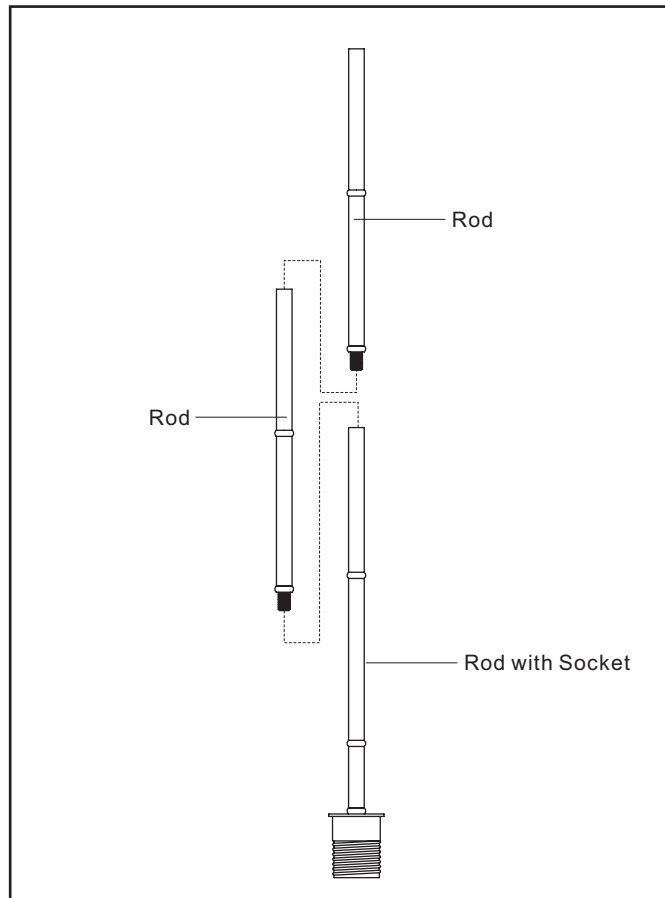
- These instructions are provided for your safety. It is very important that they are read completely before the installation of your fixture. We strongly recommend that a professional electrician install the fixture.
- Disconnect fixture from the power source before replacing the bulb(s), making sure that bulb(s) had sufficient time to cool down. DO NOT subject the lamp to any shock while lit as shattering of lamp may result.

PREPARATION

- Before beginning installation of product, make sure all parts are present. Compare parts with package contents list and diagram above. If any part is missing or damaged, do not attempt to assemble, install or operate the product. Contact customer service for replacement part.
- Estimated Assembly Time: 20 - 30 minutes
- Tool Required for Assembly (not included): Flathead screwdriver, Phillips screwdriver, Pliers, Electrical tape, Wire cutter, Safety glasses and (3) 100W A19 medium base bulbs.
- Helpful Tools (not included): Wire strippers.

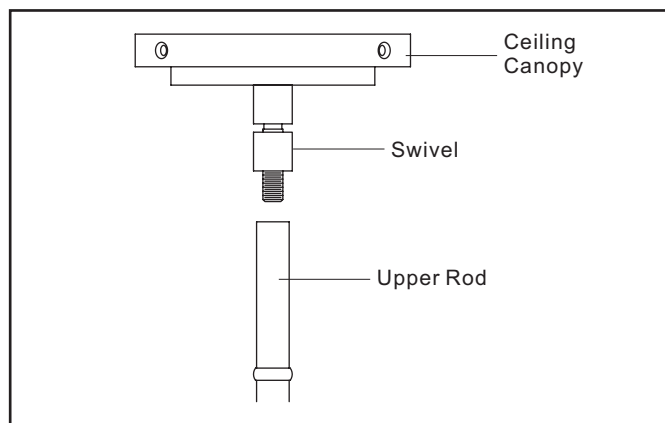
STEP 1:

- a. Screw the Rods and the Rod with Socket together as shown. Hand-tighten until snug.



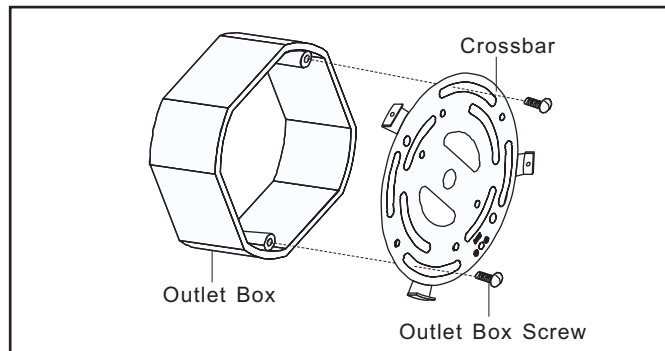
STEP 2:

- a. Screw the Swivel at the bottom center of the Ceiling Canopy into the top end of the Upper Rod. Hand-tighten until snug.



STEP 3:

- a. Secure the Crossbar to the Outlet Box with Outlet Box Screws. Tighten until snug.

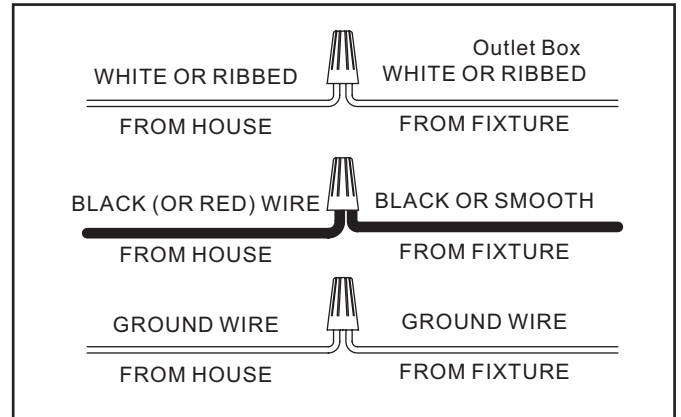


INSTALLATION INSTRUCTIONS

STYLE NUMBER: LSP1512NR1, LSP1512BN1

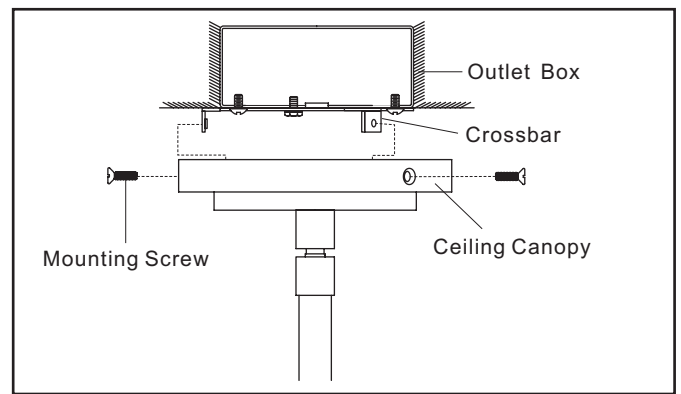
STEP 4:

- ★ Use Wire Connectors (not supplied) to connect the wires.
- a. Connect the House Ground Wire to the Fixture Ground Wire.
- b. Connect the House White (or Ribbed) Wire to the Fixture Supply Wire (Black or Smooth Side).
- c. Connect the House Black (or Red) Wire to the Fixture Supply Wire (Black or Smooth Side).
- d. Wrap each connection with approved electrical tape and carefully stuff all of the connected wires into the Outlet Box.



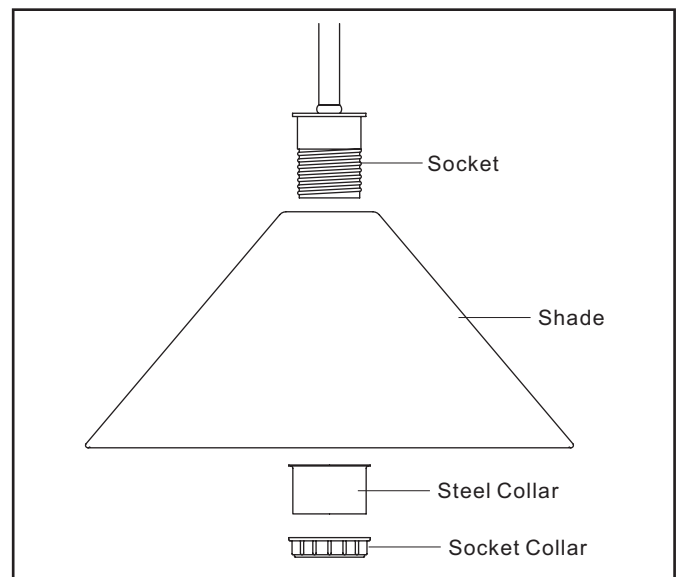
STEP 5:

- a. Place the Ceiling Canopy onto the Outlet Box aligning (3) holes on the edge of the Ceiling Canopy and Mounting Holes on the Crossbar.
- b. Using screwdriver, thread Mounting Screws into the Mounting Holes on the Crossbar and hand-tighten until snug to secure the fixture.



STEP 6:

- a. Place the Shade and the Steel Collar over the Socket in turn. Secure by threading the Socket Collar onto the Socket. Hand-tighten until snug.



STEP 7:

- a. Install the correct bulb referring to fixture markings and/or labels for maximum wattage.

Your installation is completed now. Restore electricity. Retain this sheet for future reference.