

**Model: CB6060**

**Vanity Top & Drain Installation Guide**

For sinks with overflow above counter

**Step 1**

Place silicon pads on cabinet (optional)  
Place adhesive around top of cabinet

1

**Step 2**

Position and set vanity top on cabinet

See Figure 1.

2

**Step 3**

Place a generous portion of plumbers' putty under drain cap and insert whole drain body inside the bowl and through the countertop.

\*There may be a small beveled rubber washer packaged with your drain, please discard this and use plumbers' putty instead.

See Figure 2.

3

**Step 4**

From under the drain, insert the thick rubber washer and screw on and tighten the metal nut. Remove excess plumbers' putty.

See Figure 3.

4

**Step 5**

Attach p-trap to tailpiece.

5

Figure 1.

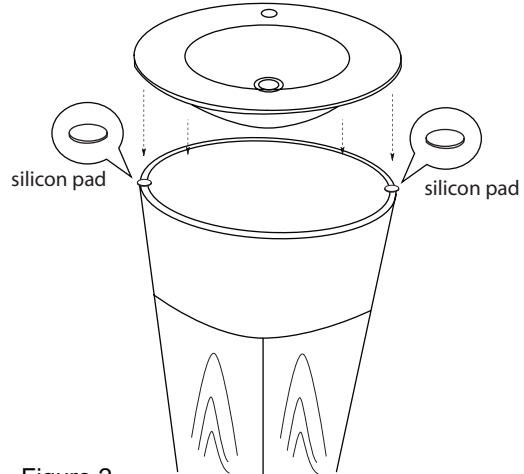


Figure 2.

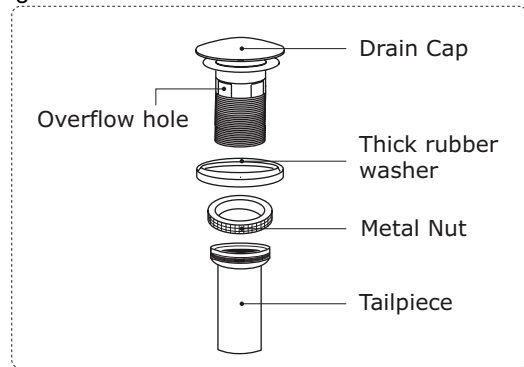
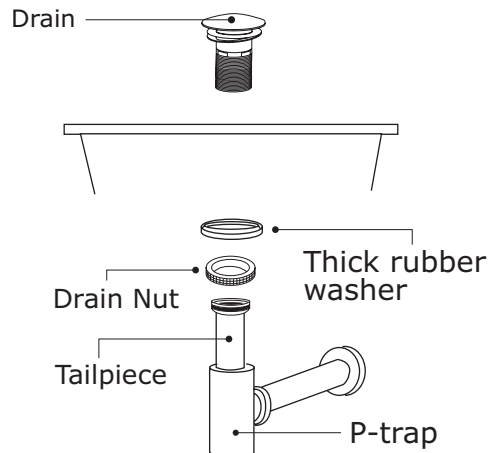


Figure 3.



**VLE2318**

**Installation Guide for LEONIE Cabinet**

**Step 1**

Unpack glass shelf from styrofoam packaging.

See **Fig 1.**

**Step 2**

Unscrew flat head setscrews in glass shelf mounts (3) located inside cabinet.

**Step 3**

Turn Phillips head mount post screw clockwise 90° or til tight.

See **Fig 2.**

**Step 4**

Insert glass shelf into mounts.

See **Fig 3.**

**Step 5**

Clamp glass shelf into mounts by tightening setscrews. Be careful not to overtighten.

