



# Fancy Nancy Dollhouse

## Assembly Instructions



© 2012 KidKraft, LP

Item #25002





# Fancy Nancy Dollhouse



## Assembly Instructions

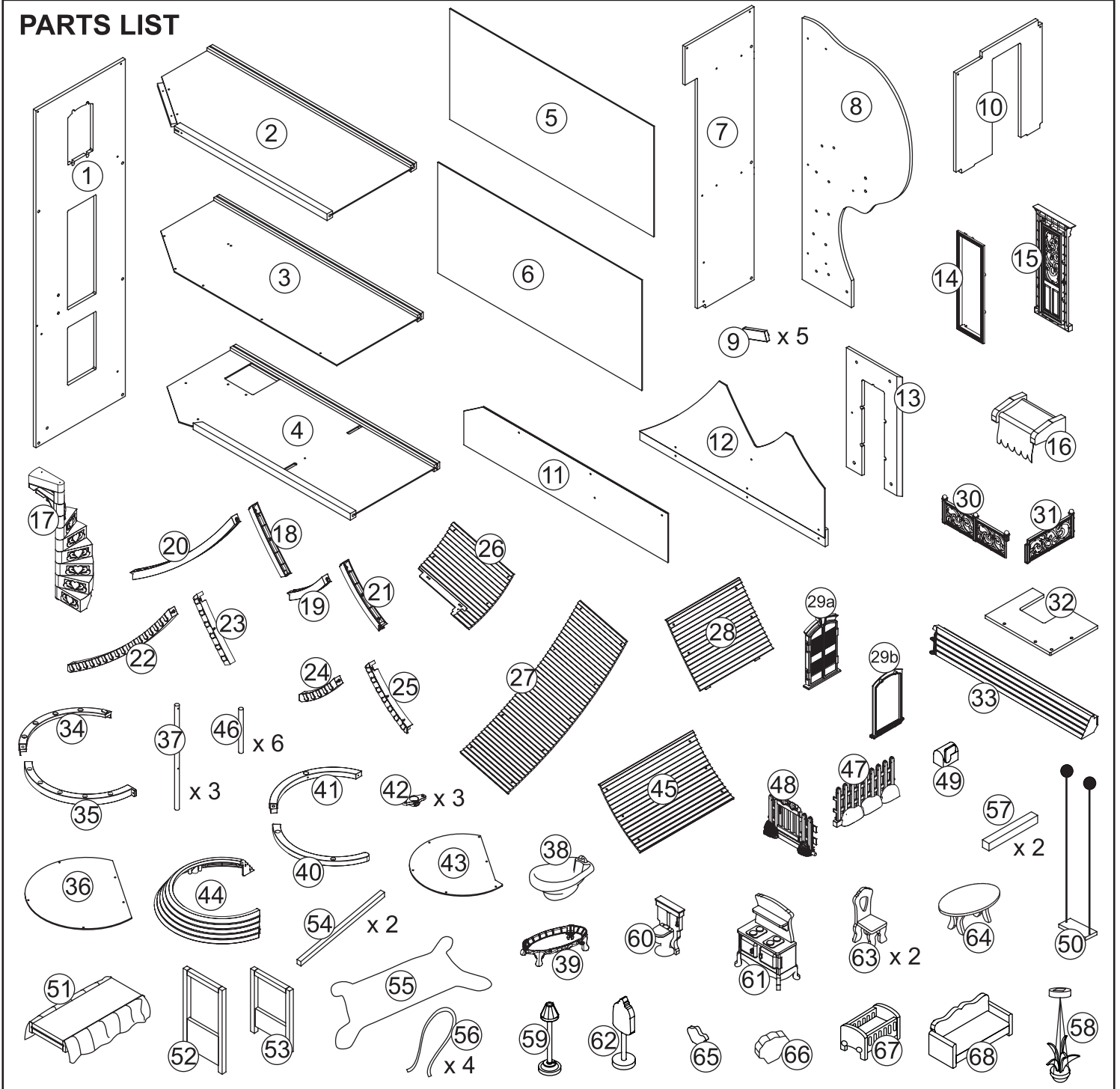
© 2012 KidKraft, LP

Item #25002

Please retain this information for future reference

To order replacement parts, please visit [www.kidkraft.com](http://www.kidkraft.com)

### PARTS LIST



#### **⚠ WARNING:**

**ADULT ASSEMBLY REQUIRED.**

Product includes small parts with potentially hazardous sharp points and sharp edges in the unassembled state. Keep unassembled parts away from children.

#### **⚠ WARNING:**

**CHOKING HAZARD.** Small parts and sharp points, not suitable for children under 3 years.

#### **⚠ WARNING:**

If used improperly, your dollhouse may be pulled over or fall, creating risk of injury or damage. To minimize this risk, we recommend that you use the enclosed wall anchor kit, which gives you the option of attaching the dollhouse to a wall. In addition, children should not be permitted to climb or pull on the dollhouse.

#### **USE AND MAINTENANCE:**

- Use on level surfaces only
- Please check assembly at regular intervals, and frequently tighten hardware if necessary. If maintenance is not carried out, the product could cease to function properly.

#### **Customer Service**

**1-800-933-0771**

**[www.kidkraft.com](http://www.kidkraft.com)**



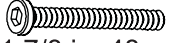
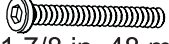



# Fancy Nancy Dollhouse






## Assembly Instructions













Item #25002

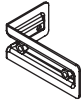


### HARDWARE

- A. White Cross Dowel Bolt x 5 pcs  
  
 1 7/8 in, 48 mm
- B. Green Cross Dowel Bolt x 3 pcs  
  
 1 7/8 in, 48 mm
- C. Cross Dowel Nut x 8 pcs  

- D. White Screw x 3 pcs  
  
 1/2 in, 12 mm
- E. Green Bolt x 4 pcs  
  
 3/4 in, 20 mm

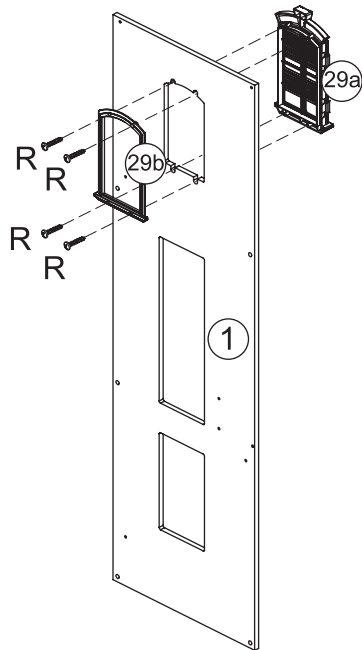
- F. White Bolt x 2 pcs  
  
 3/4 in, 20 mm
- G. White Screw x 18 pcs  
  
 1 3/16 in, 30 mm
- H. Yellow Screw x 2 pcs  
  
 1 3/16 in, 30 mm
- I. Yellow Screw x 2 pcs  
  
 1/2 in, 12 mm
- J. White Screw x 10 pcs  
  
 7/8 in, 22 mm

- K. Green Screw x 2 pcs  
  
 7/8 in, 22 mm
- L. Yellow Screw x 2 pcs  
  
 7/8 in, 22 mm
- M. Pink Screw x 1 pc  
  
 7/8 in, 22 mm
- N. Purple Screw x 2 pcs  
  
 7/8 in, 22 mm
- O. Yellow Screw x 3 pcs  
  
 3/8 in, 10 mm

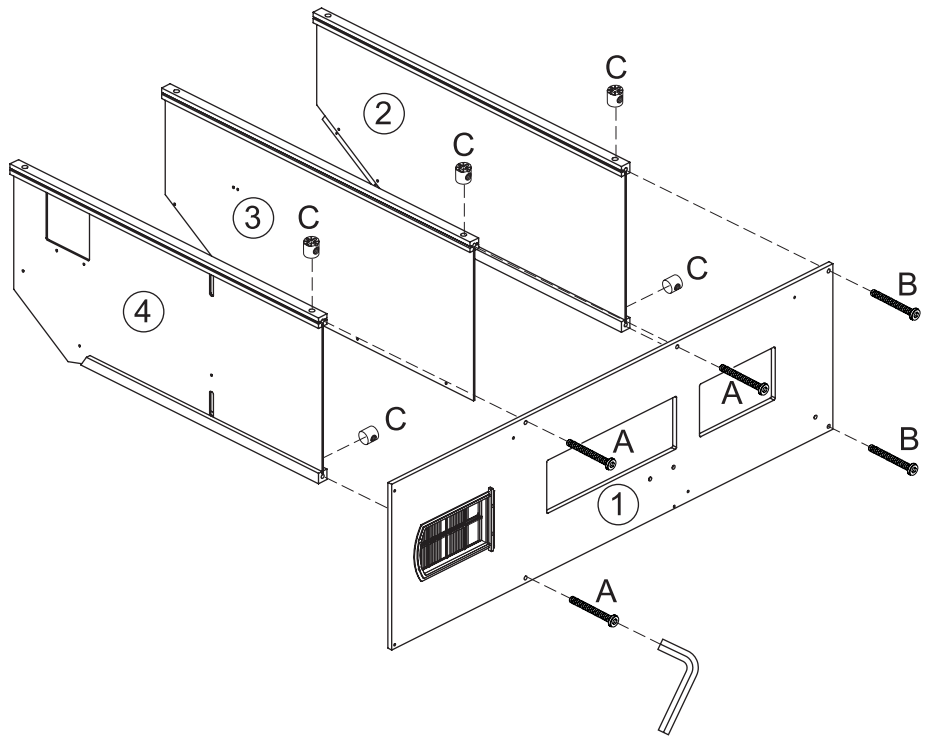
- P. White Screw x 6 pcs  
  
 3/8 in, 10 mm
- Q. Brown Screw x 4 pcs  
  
 9/16 in, 14 mm
- R. White Screw x 27 pcs  
  
 9/16 in, 14 mm
- S. Yellow Screw x 4 pcs  
  
 9/16 in, 14 mm
- T. Pink Screw x 45 pcs  
  
 9/16 in, 14 mm

- U. Bracket x 2 pcs  

- Allen Wrench x 1  

- The following tool (not included) is required for assembly:  
  
 Phillips® Screwdriver

### Step 1



### Step 2



Customer Service  
 1-800-933-0771  
 www.kidkraft.com



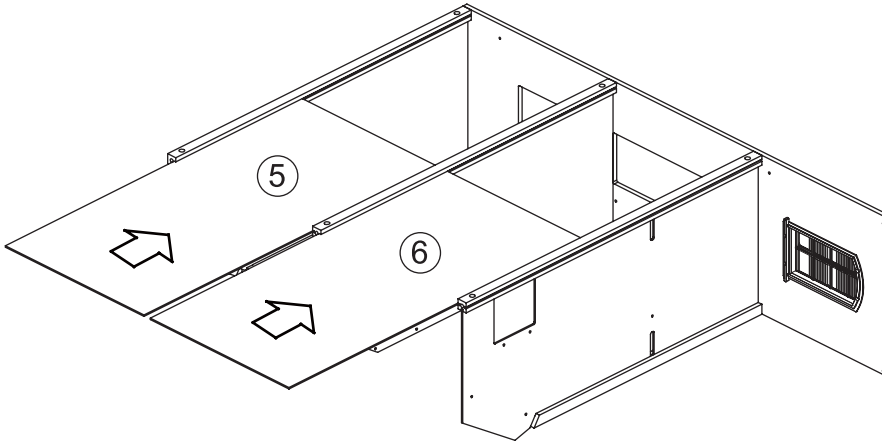
# Fancy Nancy Dollhouse

## Assembly Instructions

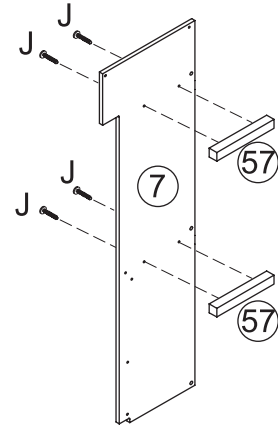


Item #25002

### Step 3

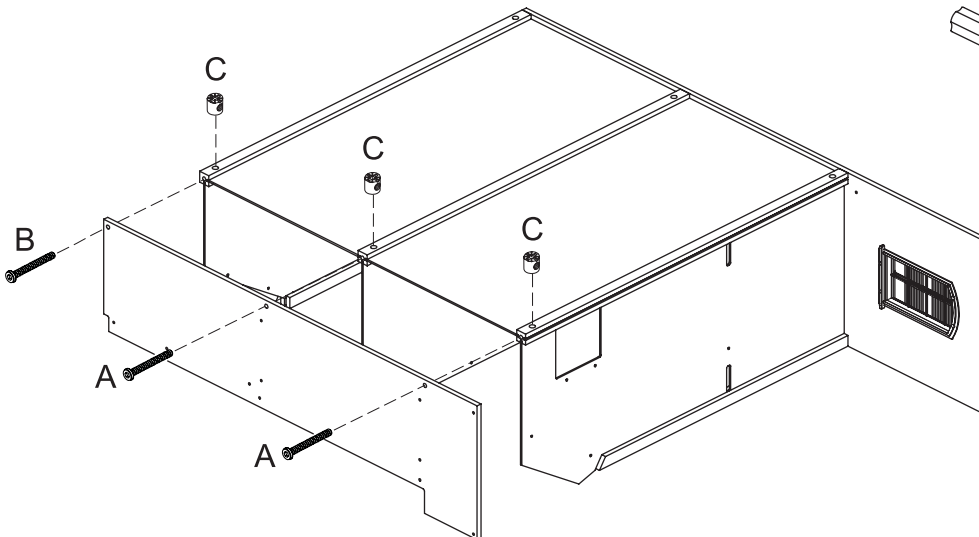


### Step 4

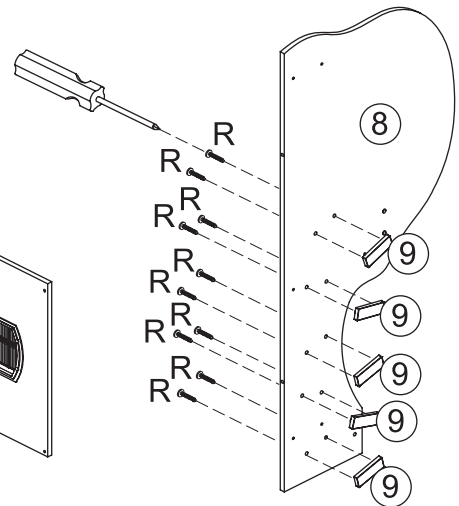


Be sure to match artwork on these parts to match the artwork in each room of the dollhouse.

### Step 5



### Step 6



Customer Service  
1-800-933-0771  
www.kidkraft.com



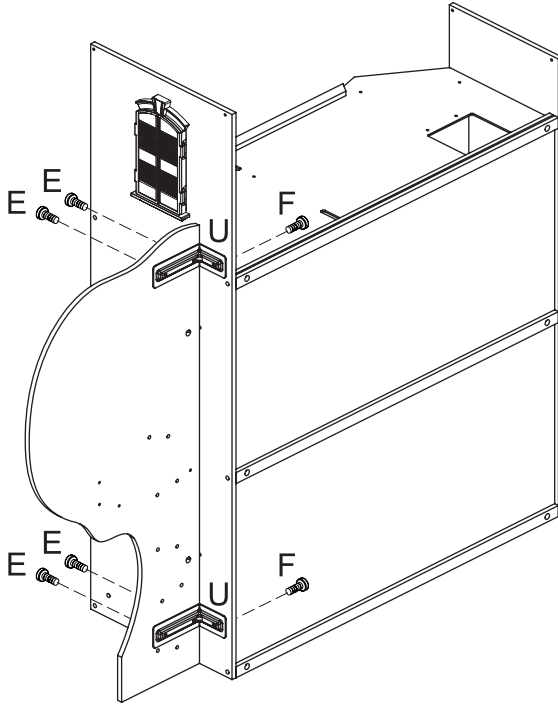
# Fancy Nancy Dollhouse

## Assembly Instructions

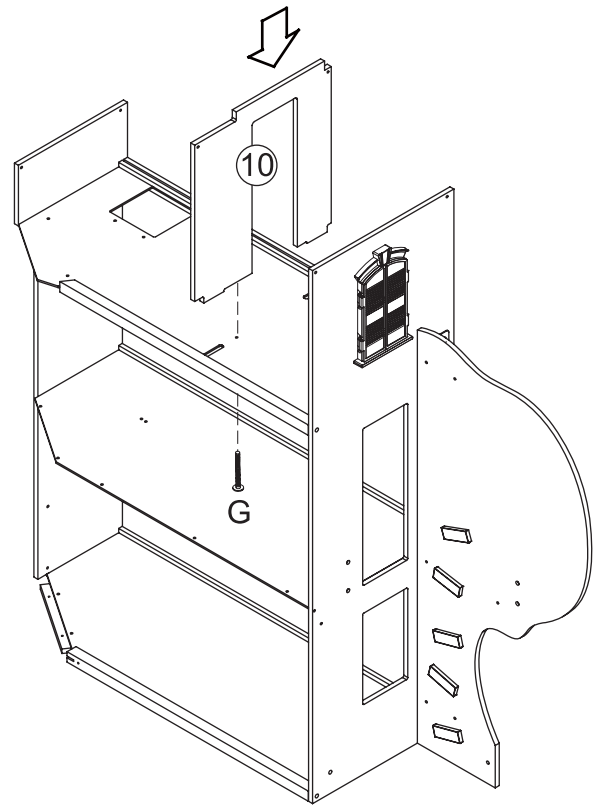


Item #25002

### Step 7



### Step 8



Customer Service  
1-800-933-0771  
[www.kidkraft.com](http://www.kidkraft.com)



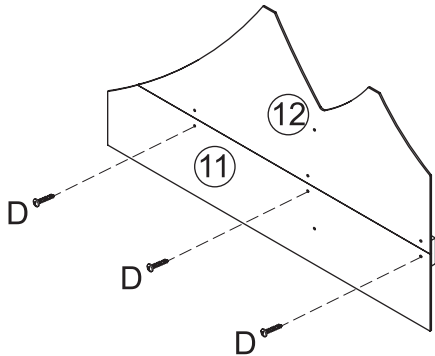
# Fancy Nancy Dollhouse

## Assembly Instructions

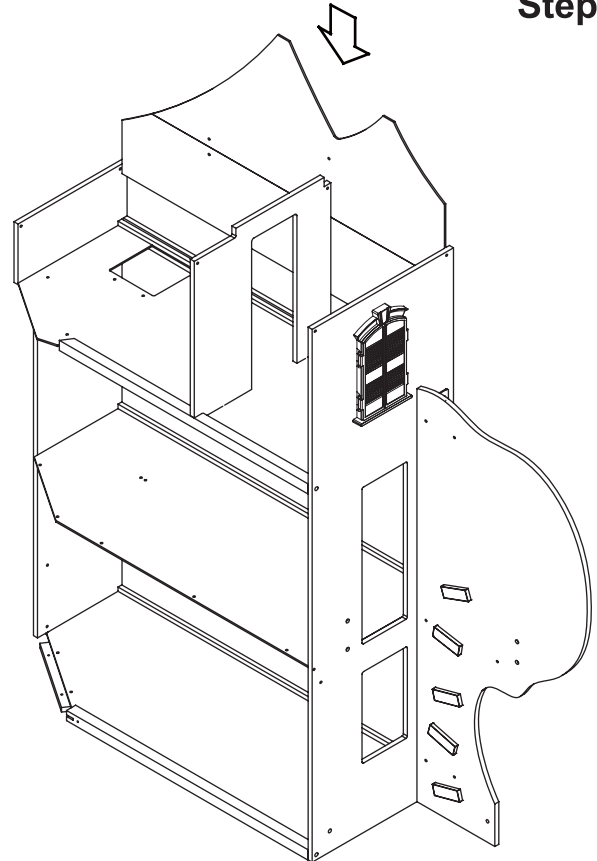


Item #25002

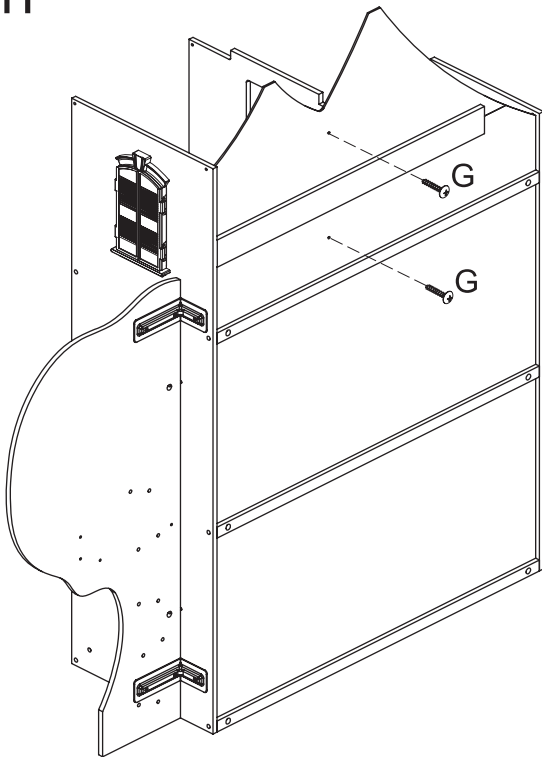
### Step 9



### Step 10



### Step 11



Customer Service  
1-800-933-0771  
[www.kidkraft.com](http://www.kidkraft.com)



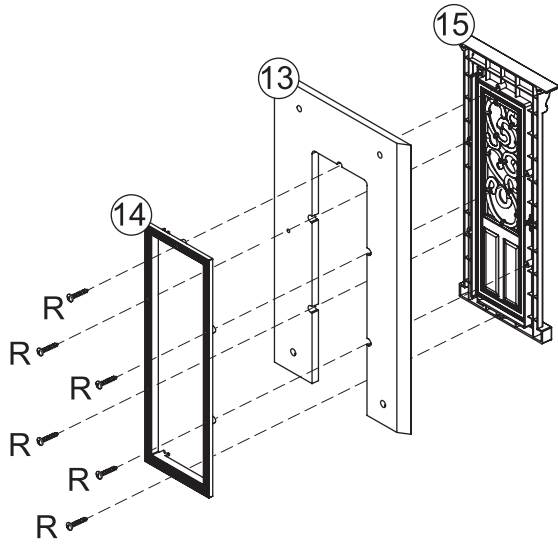
# Fancy Nancy Dollhouse

## Assembly Instructions

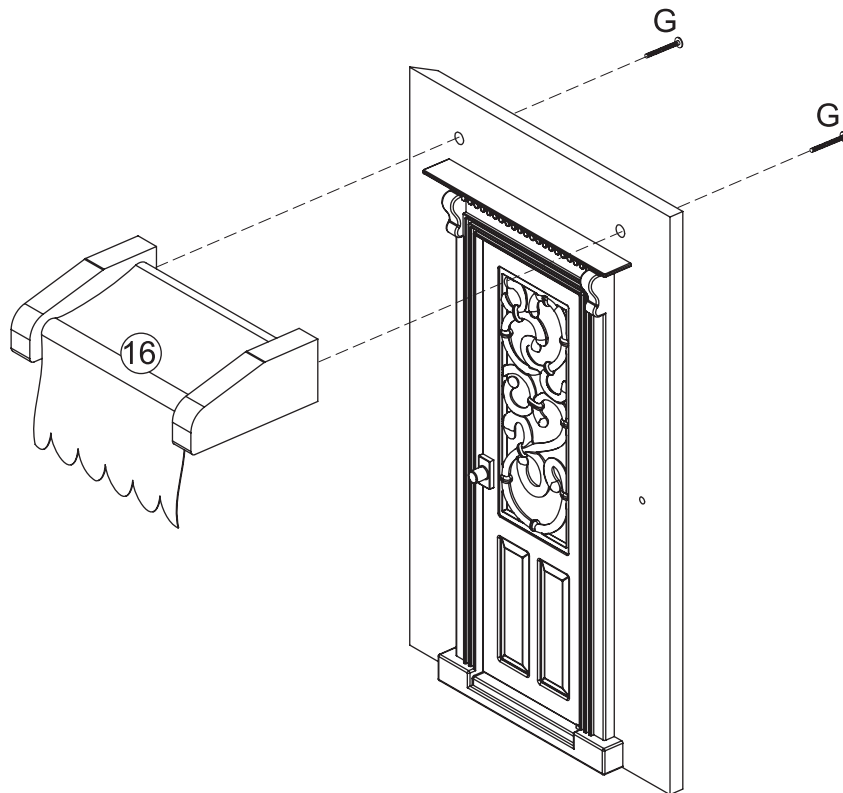


Item #25002

### Step 12



### Step 13



Customer Service  
1-800-933-0771  
www.kidkraft.com



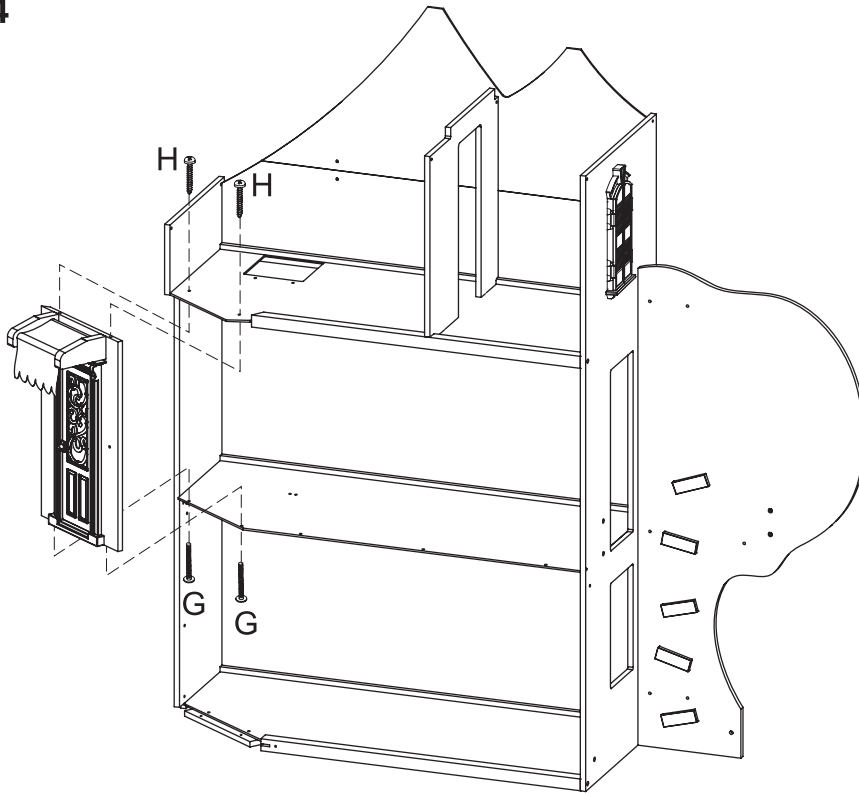
# Fancy Nancy Dollhouse

## Assembly Instructions

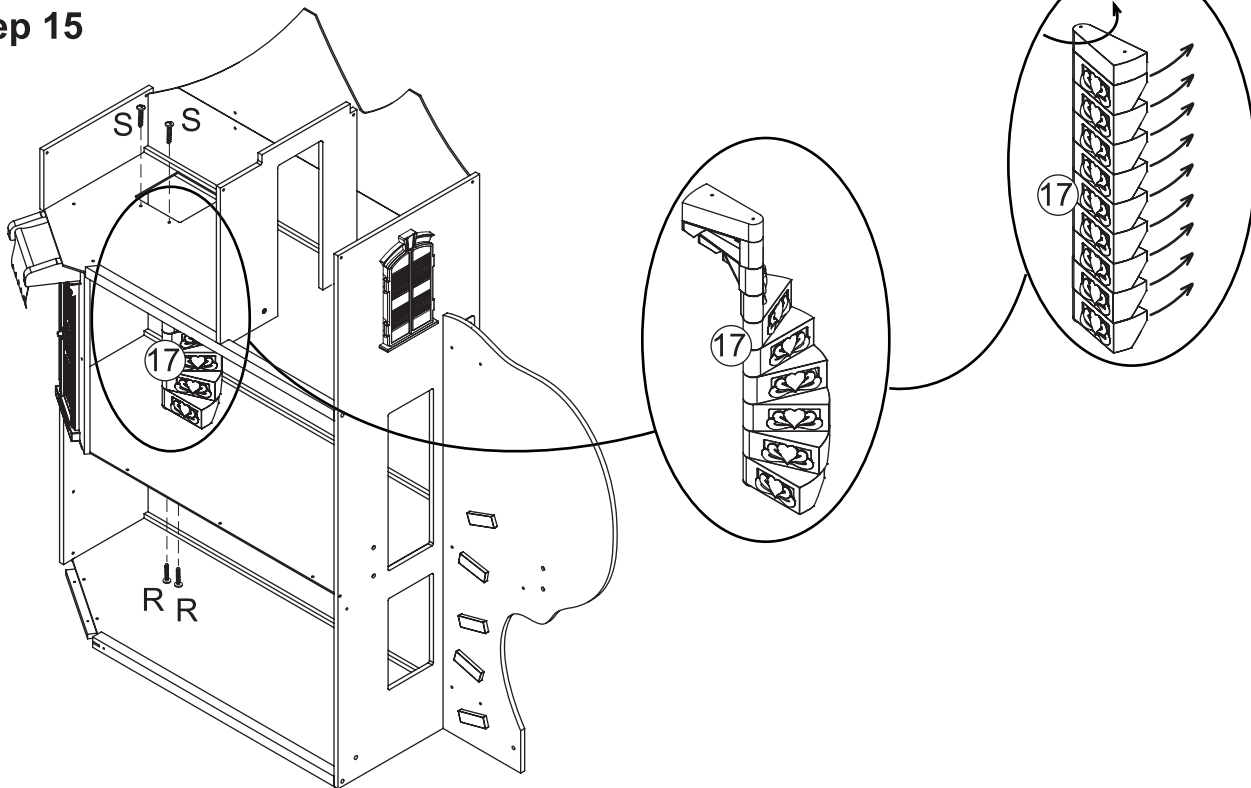


Item #25002

### Step 14



### Step 15



Customer Service  
1-800-933-0771  
www.kidkraft.com



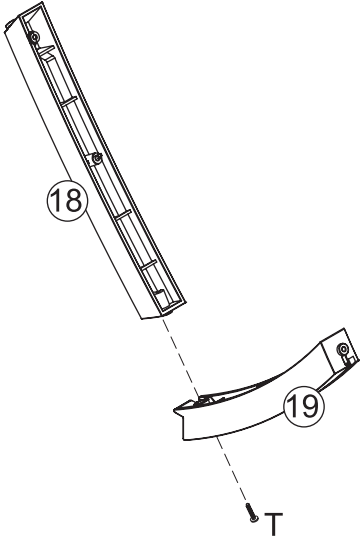
# Fancy Nancy Dollhouse

## Assembly Instructions

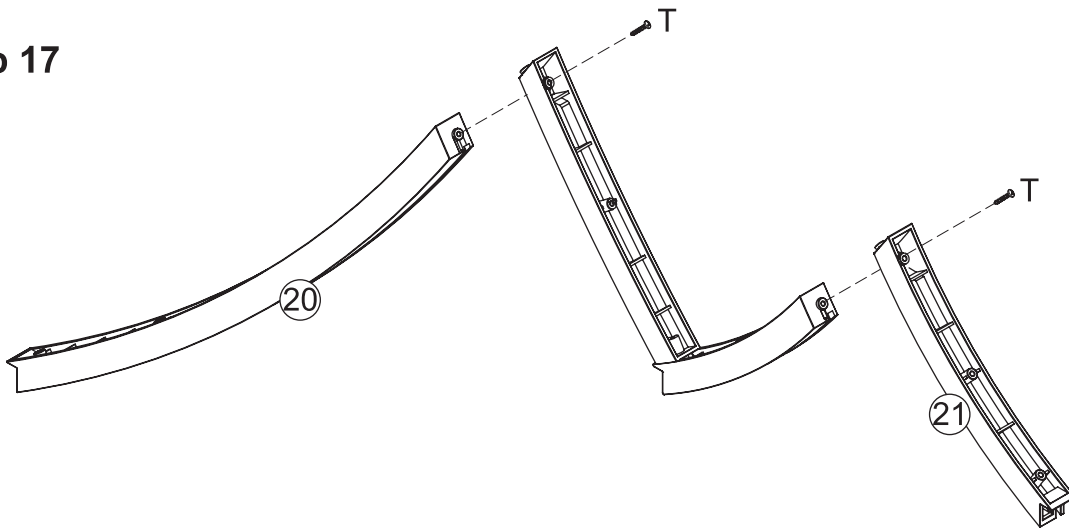


Item #25002

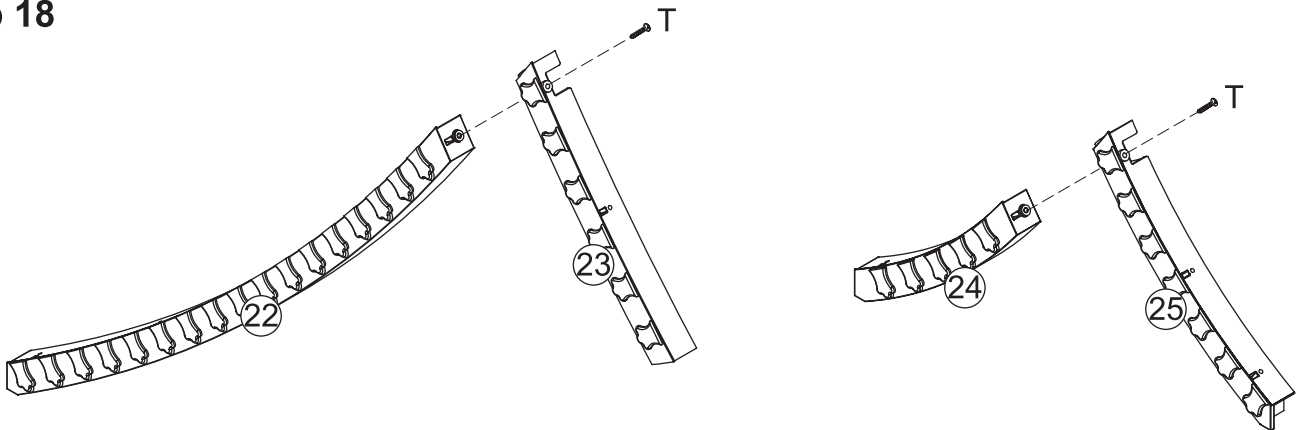
### Step 16



### Step 17



### Step 18



Customer Service  
1-800-933-0771  
[www.kidkraft.com](http://www.kidkraft.com)



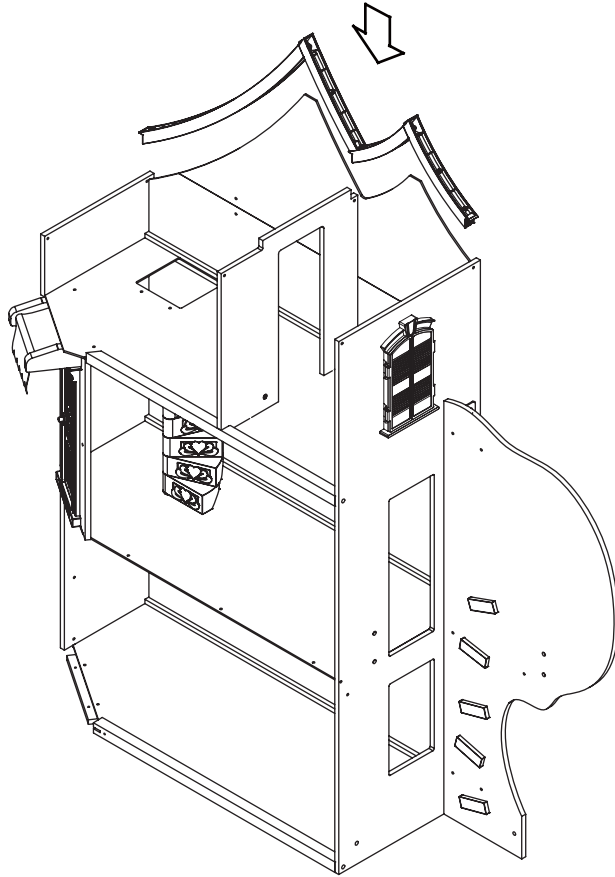
# Fancy Nancy Dollhouse

## Assembly Instructions

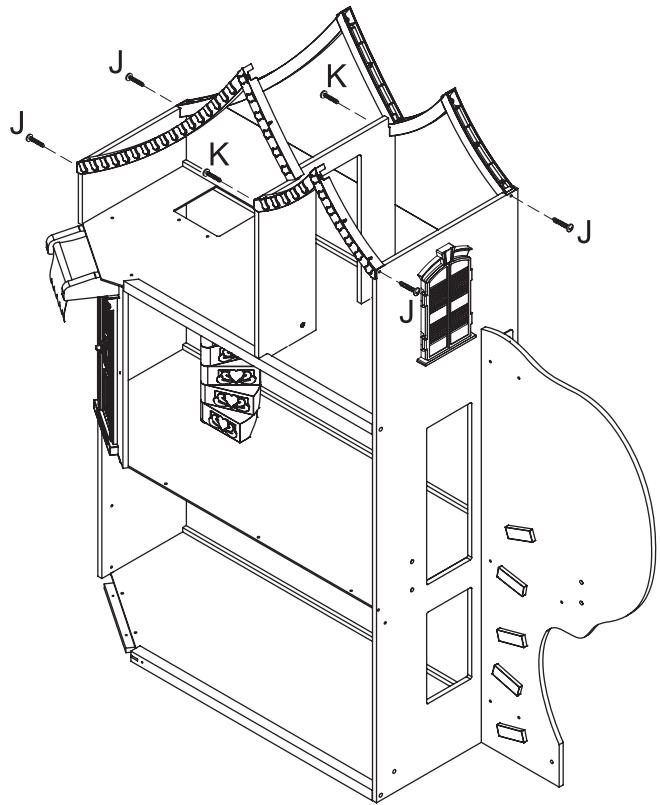


Item #25002

### Step 19



### Step 20



Customer Service  
1-800-933-0771  
[www.kidkraft.com](http://www.kidkraft.com)



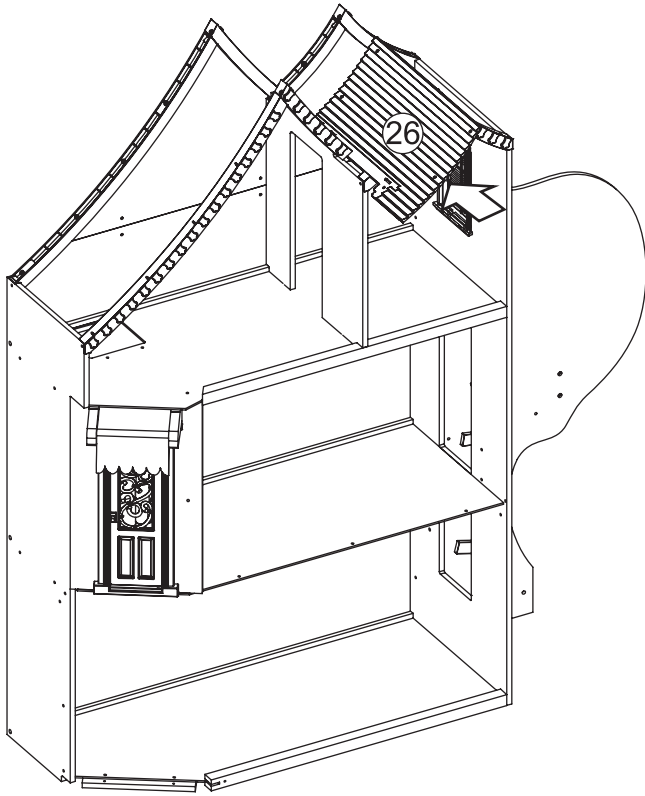
# Fancy Nancy Dollhouse

## Assembly Instructions

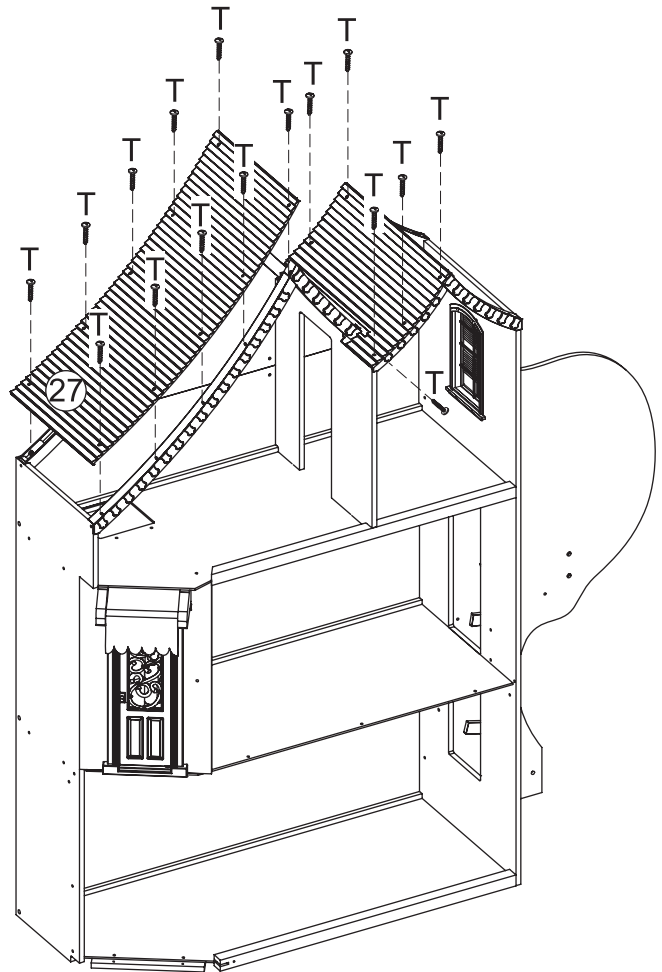


Item #25002

### Step 21



### Step 22



Customer Service  
1-800-933-0771  
[www.kidkraft.com](http://www.kidkraft.com)



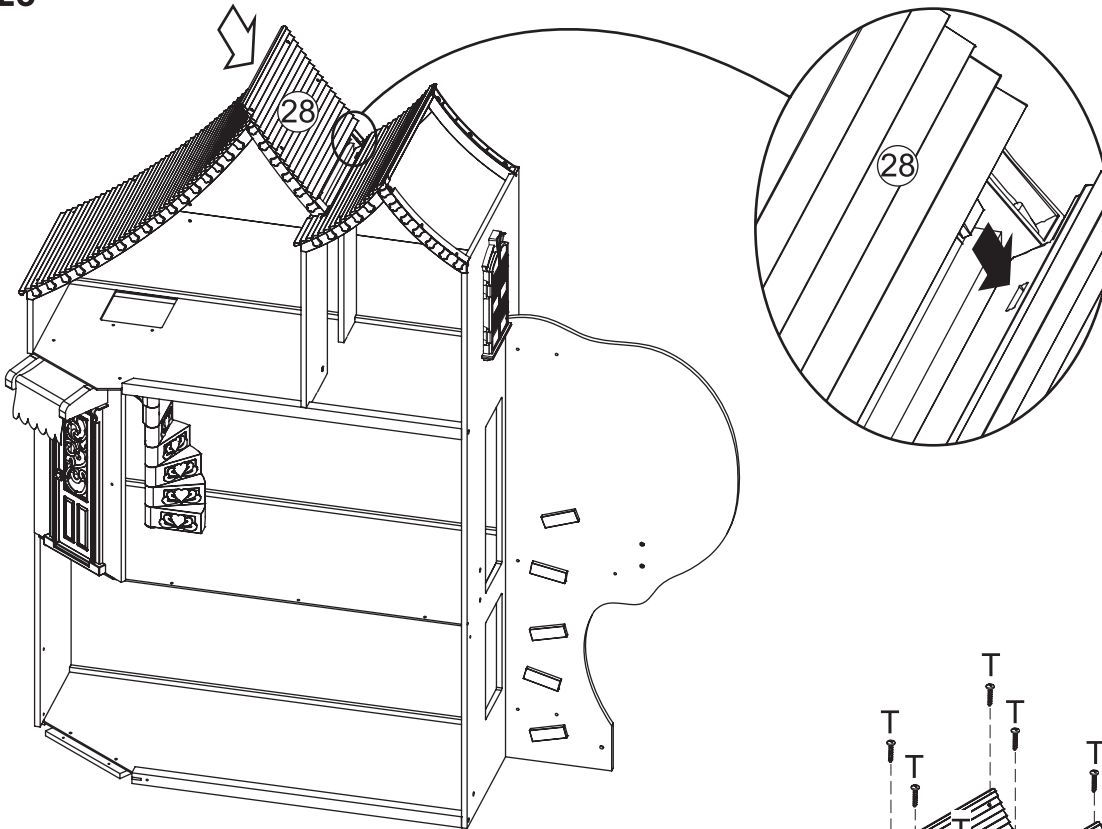
# Fancy Nancy Dollhouse

## Assembly Instructions

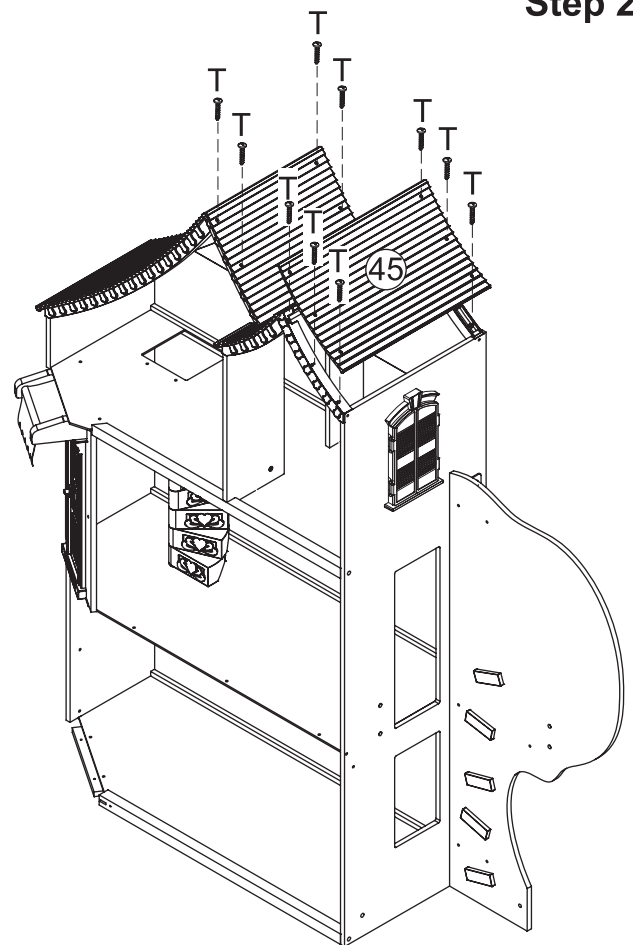


Item #25002

### Step 23



### Step 24



Customer Service  
1-800-933-0771  
[www.kidkraft.com](http://www.kidkraft.com)



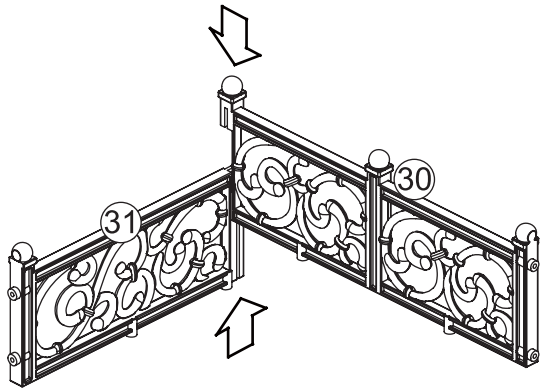
# Fancy Nancy Dollhouse

## Assembly Instructions

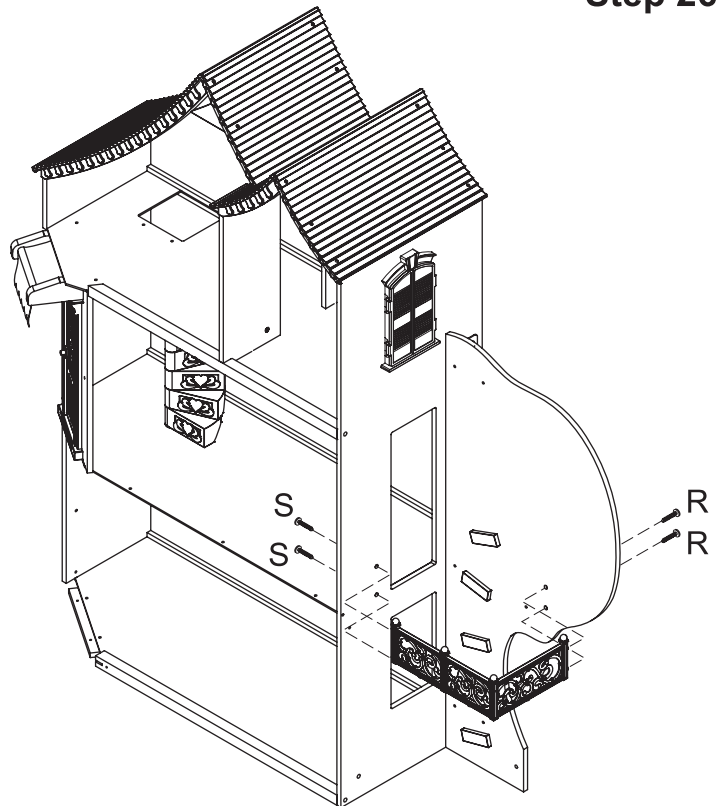


Item #25002

### Step 25



### Step 26



Customer Service  
1-800-933-0771  
www.kidkraft.com



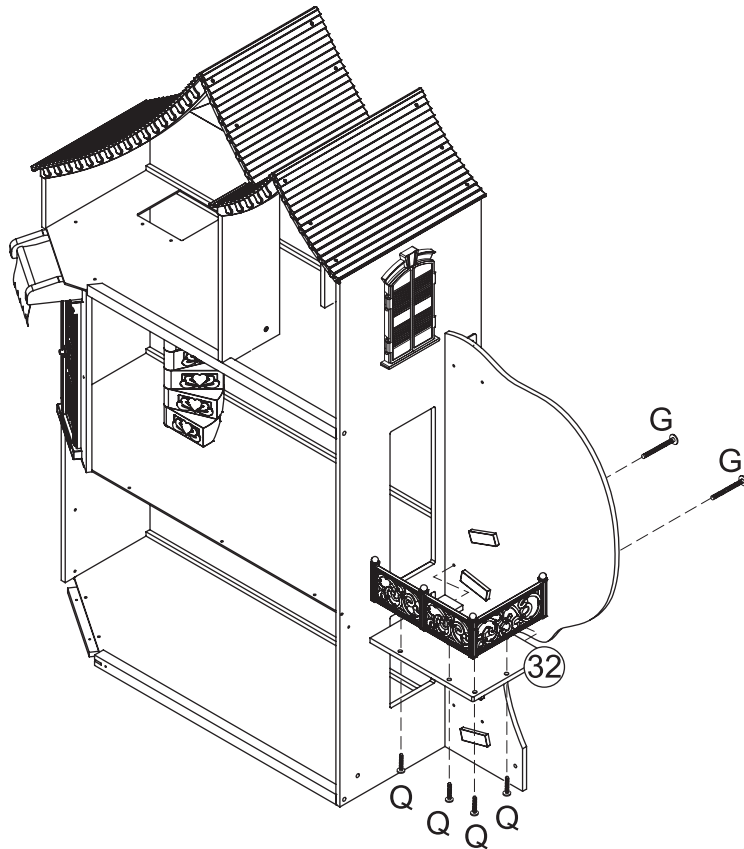
# Fancy Nancy Dollhouse

## Assembly Instructions

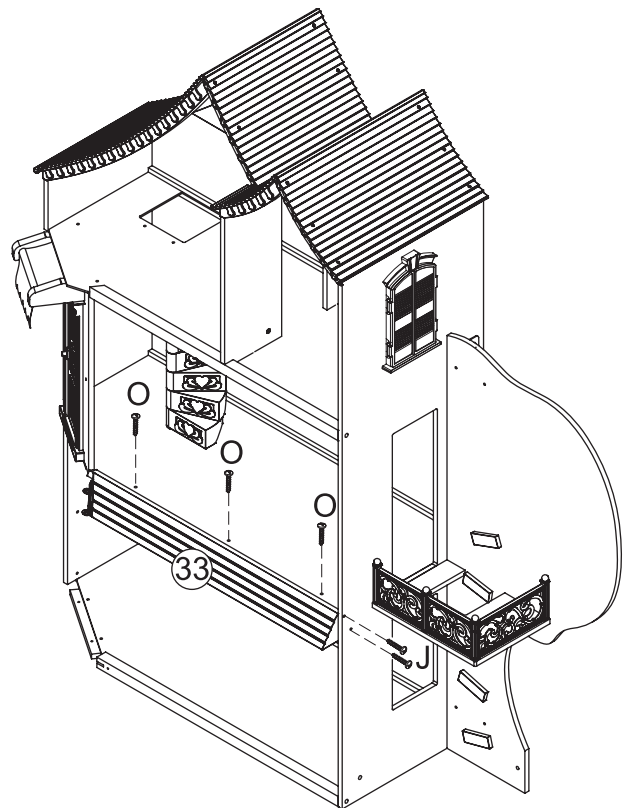


Item #25002

### Step 27



### Step 28



Customer Service  
1-800-933-0771  
[www.kidkraft.com](http://www.kidkraft.com)



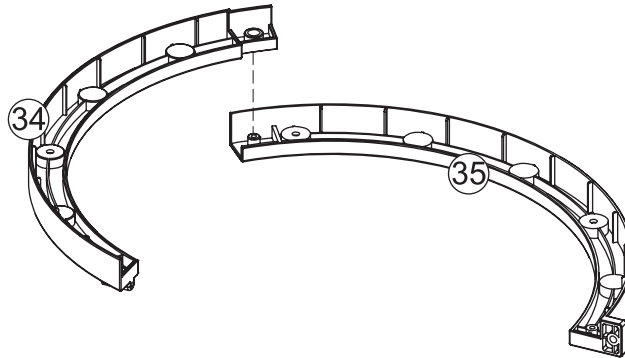
# Fancy Nancy Dollhouse

## Assembly Instructions

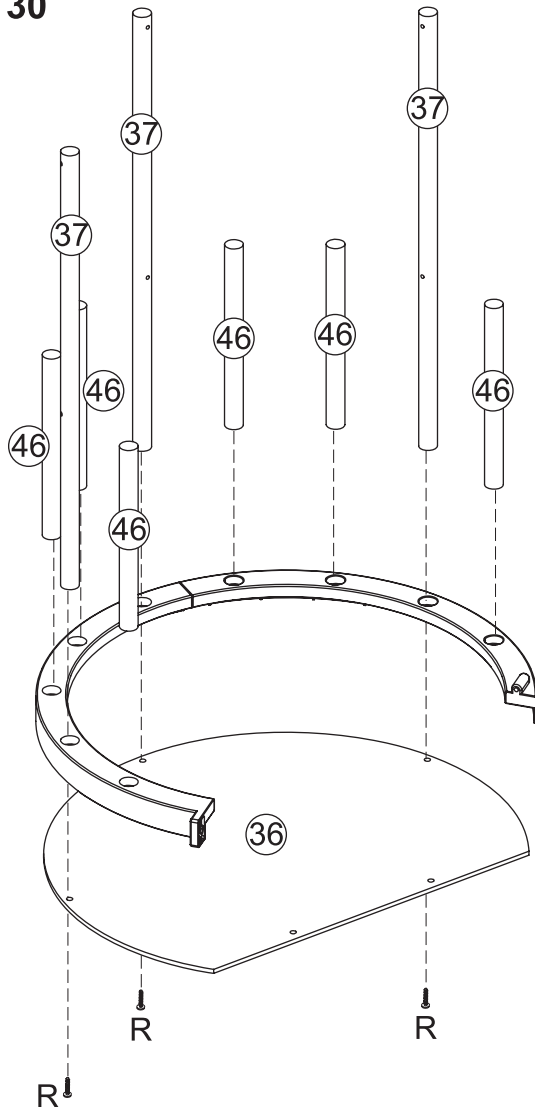


Item #25002

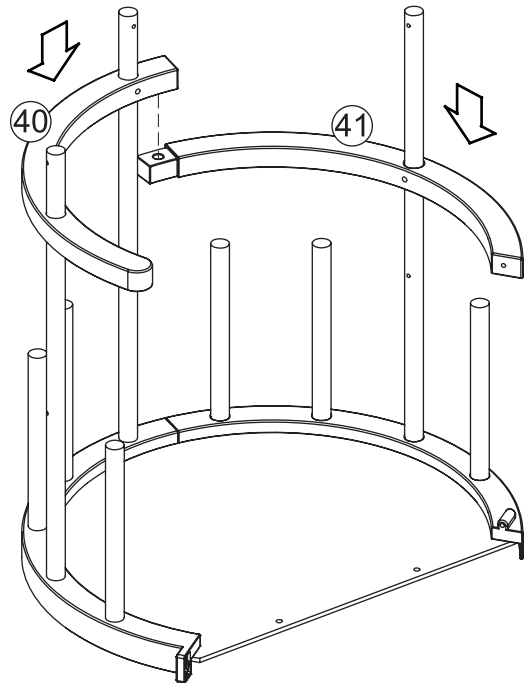
### Step 29



### Step 30



### Step 31



Customer Service  
1-800-933-0771  
www.kidkraft.com



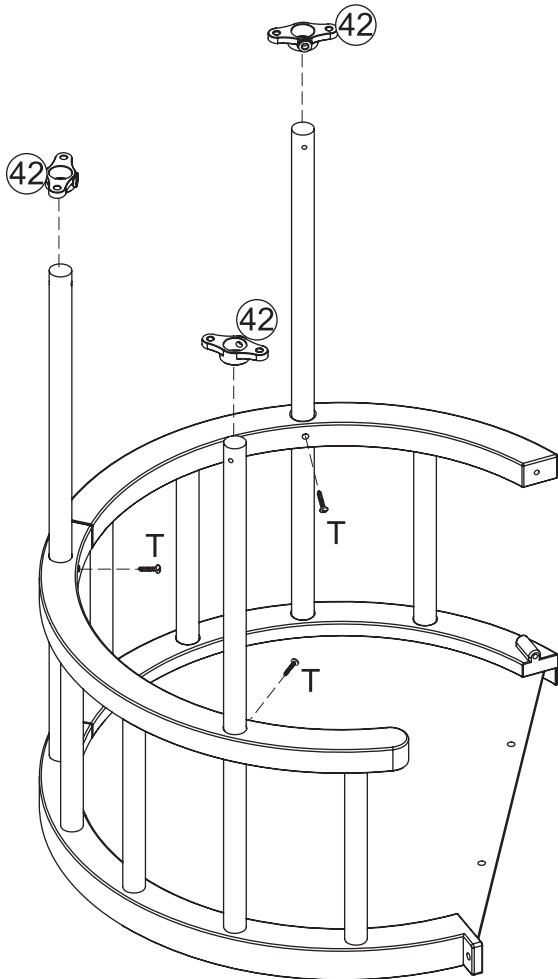
# Fancy Nancy Dollhouse

## Assembly Instructions

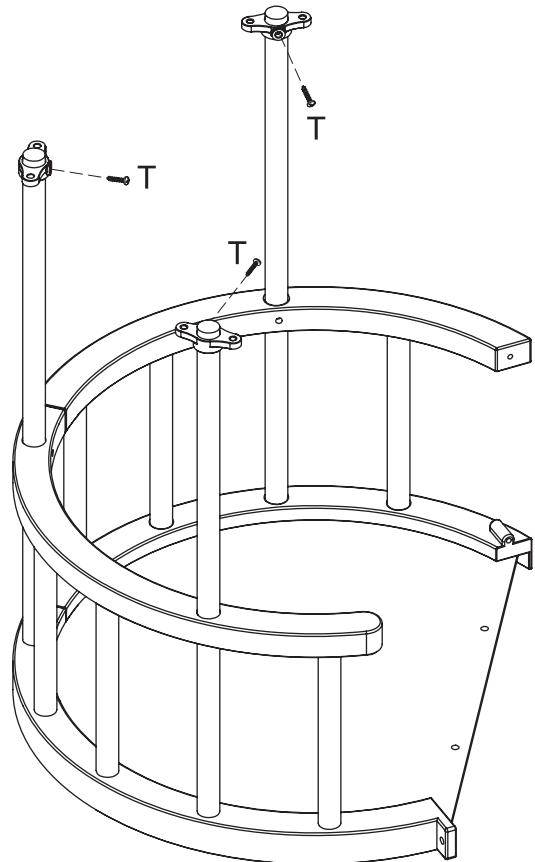


Item #25002

### Step 32



### Step 33



Customer Service  
1-800-933-0771  
www.kidkraft.com



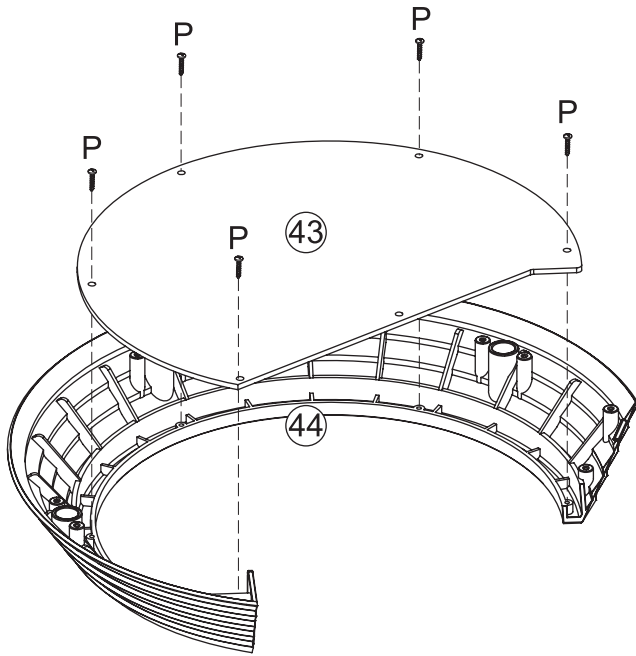
# Fancy Nancy Dollhouse

## Assembly Instructions

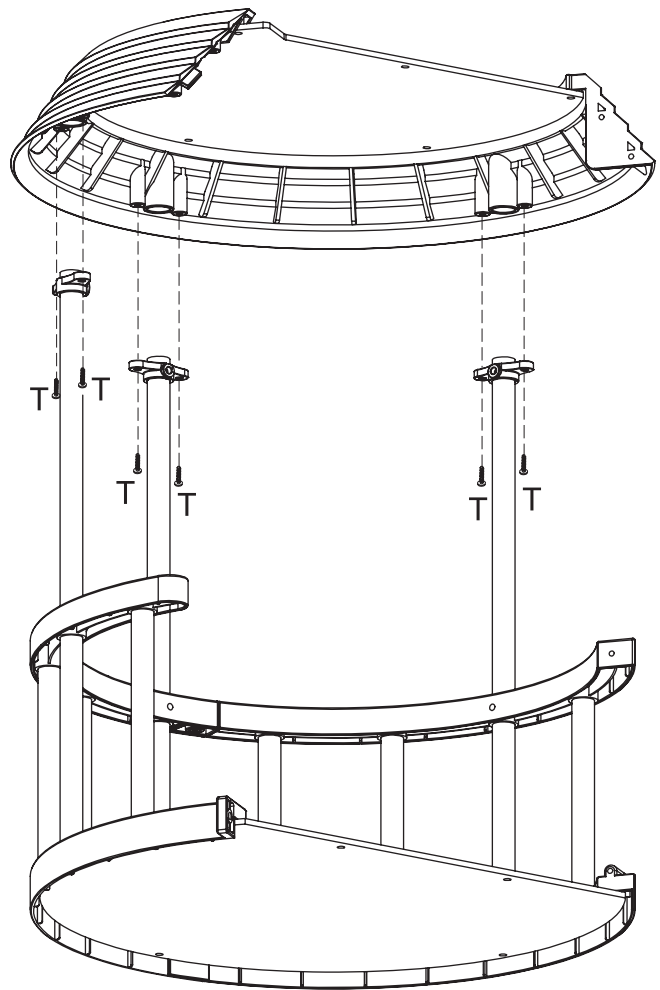


Item #25002

### Step 34



### Step 35



Customer Service  
1-800-933-0771  
[www.kidkraft.com](http://www.kidkraft.com)



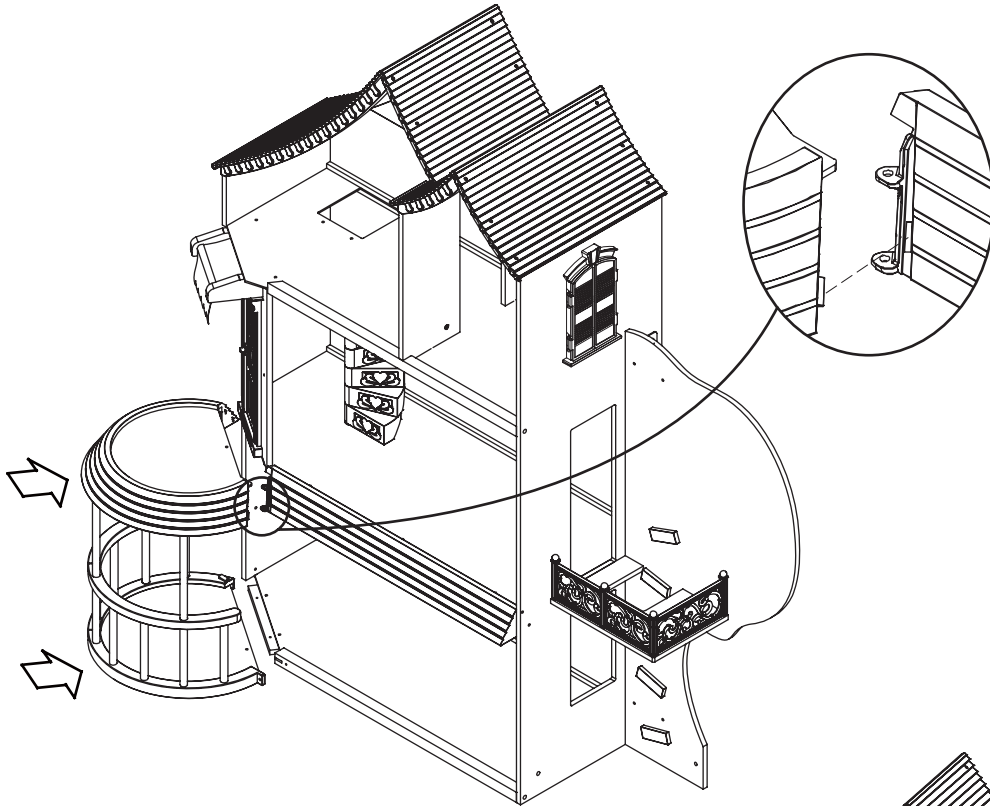
# Fancy Nancy Dollhouse

## Assembly Instructions

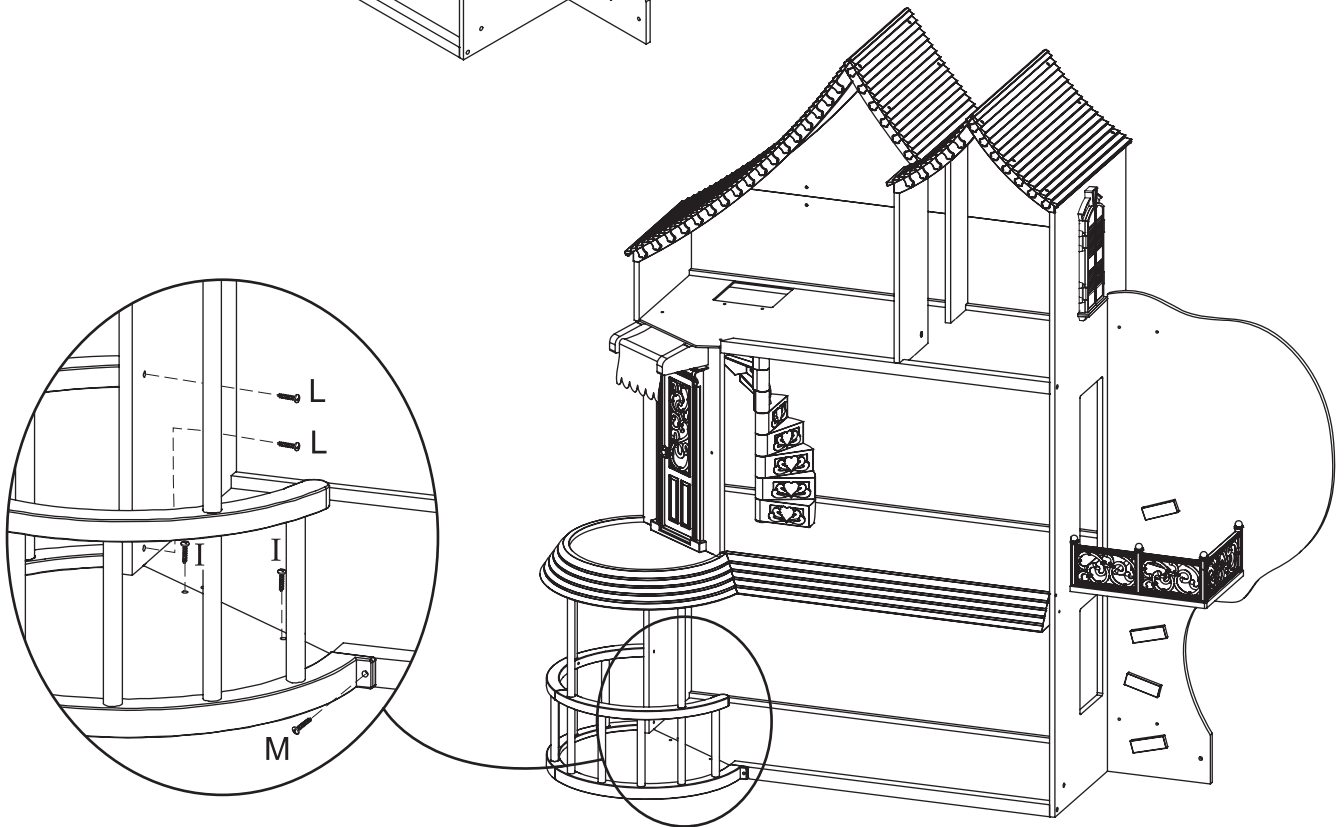


Item #25002

### Step 36



### Step 37



Customer Service  
1-800-933-0771  
[www.kidkraft.com](http://www.kidkraft.com)



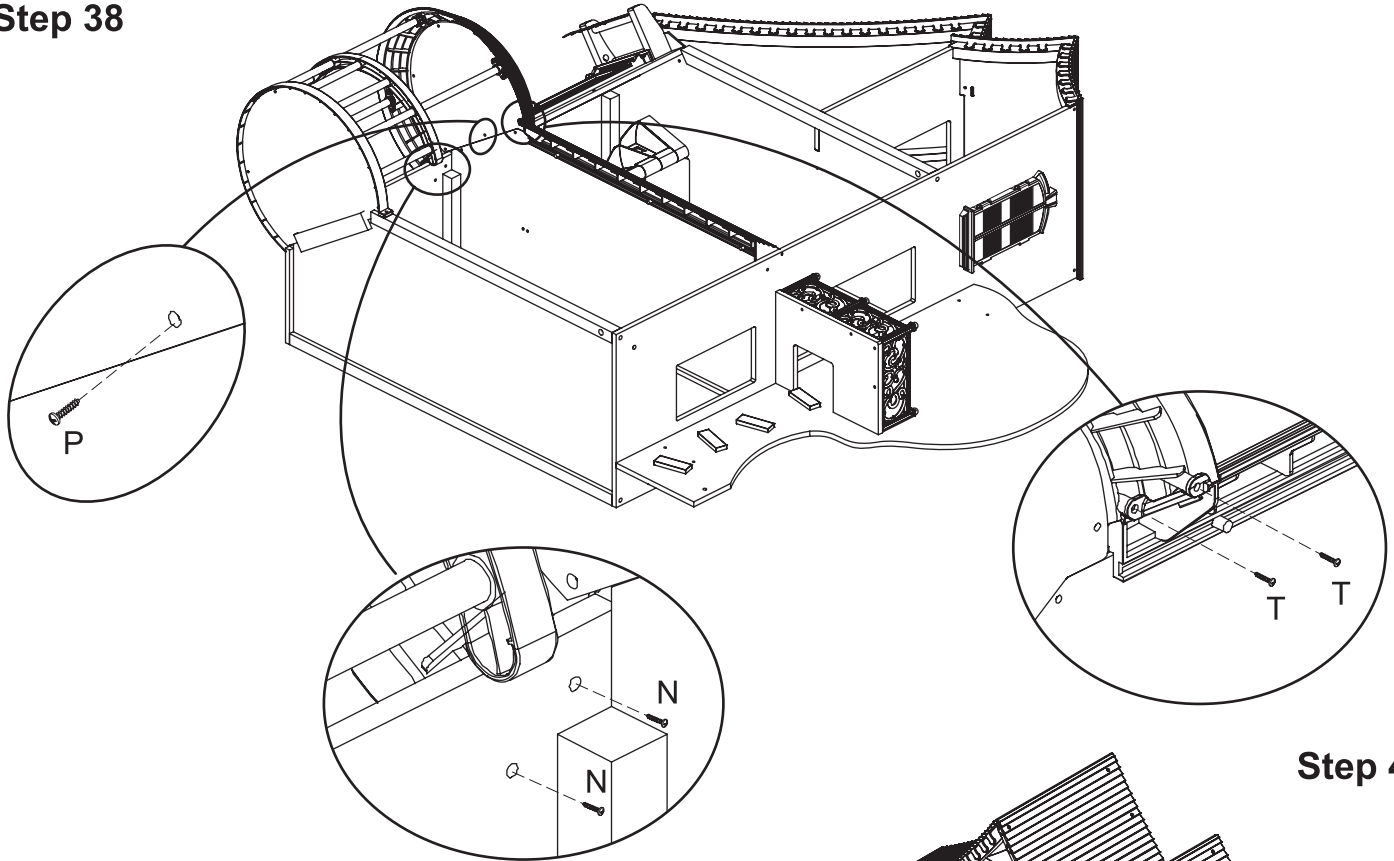
# Fancy Nancy Dollhouse

## Assembly Instructions

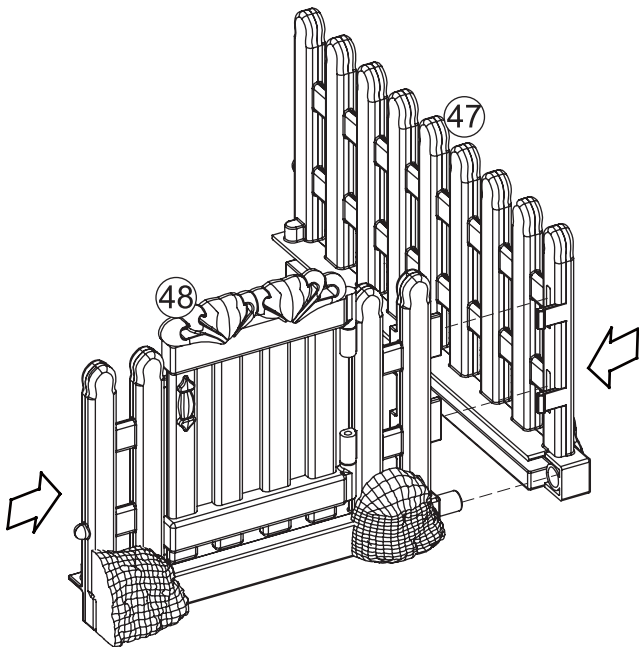


Item #25002

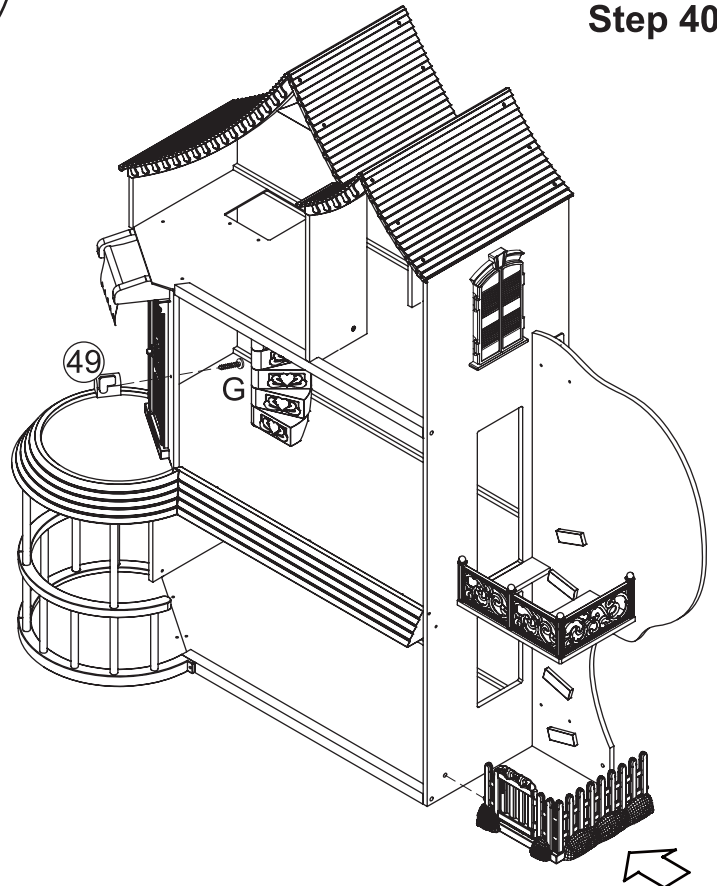
### Step 38



### Step 39



### Step 40



Customer Service  
1-800-933-0771  
www.kidkraft.com



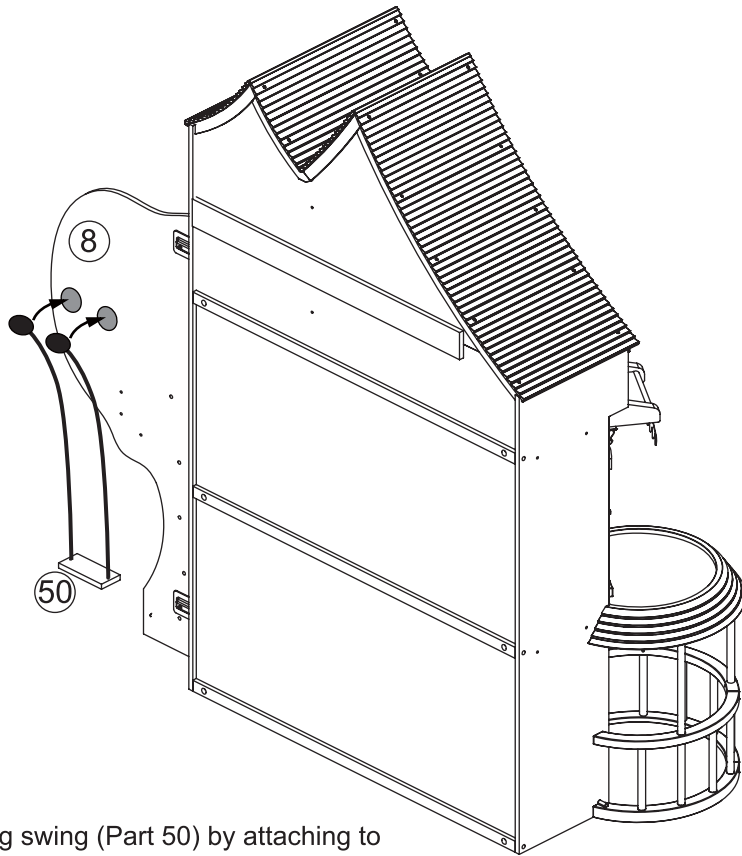
# Fancy Nancy Dollhouse

## Assembly Instructions



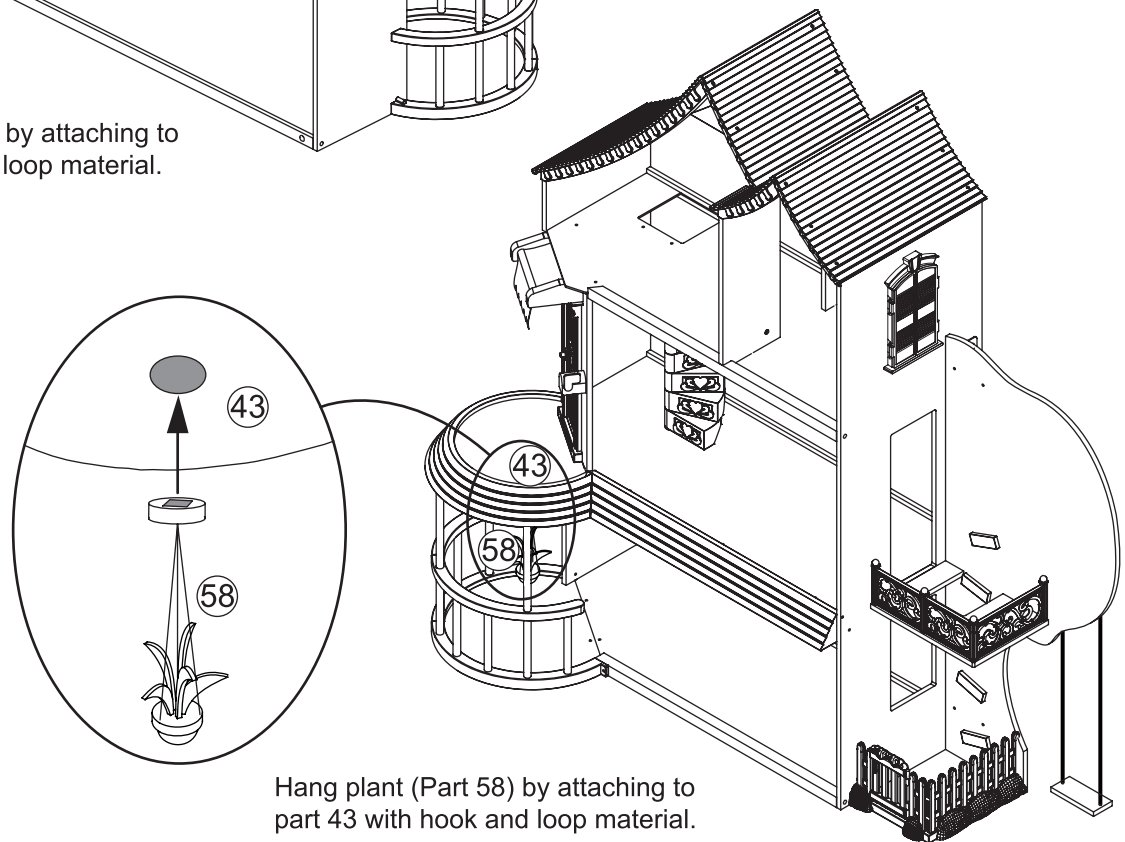
Item #25002

### Step 41



Hang swing (Part 50) by attaching to part 8 with hook and loop material.

### Step 42



Hang plant (Part 58) by attaching to part 43 with hook and loop material.

**Customer Service**  
**1-800-933-0771**  
**www.kidkraft.com**



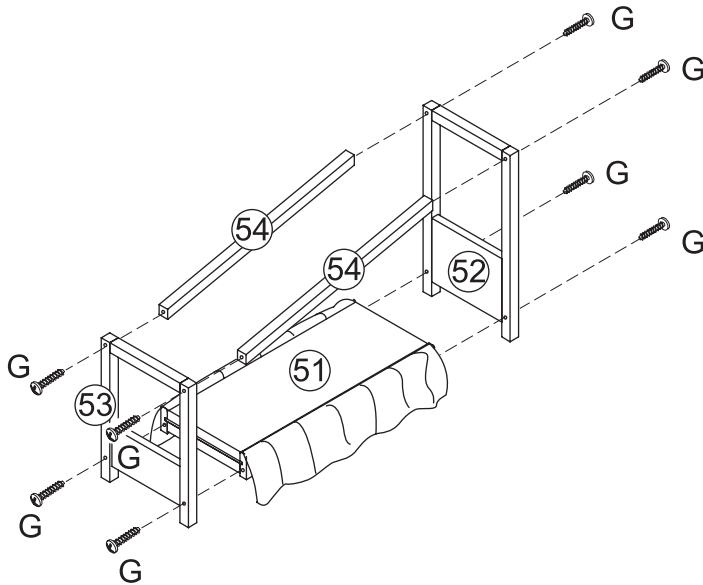
# Fancy Nancy Dollhouse

## Assembly Instructions

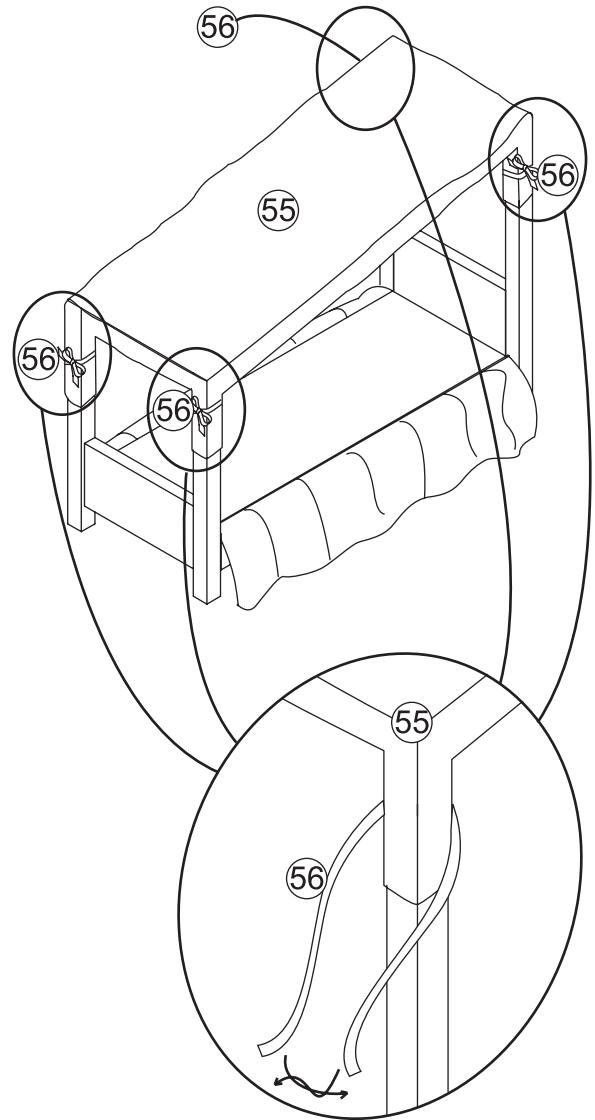


Item #25002

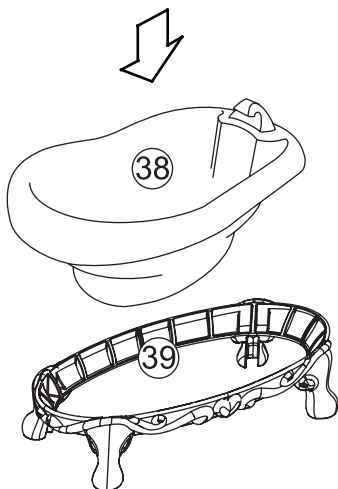
### Bed Assembly Step 1



### Step 2



### Bathtub Assembly



Customer Service  
1-800-933-0771  
www.kidkraft.com



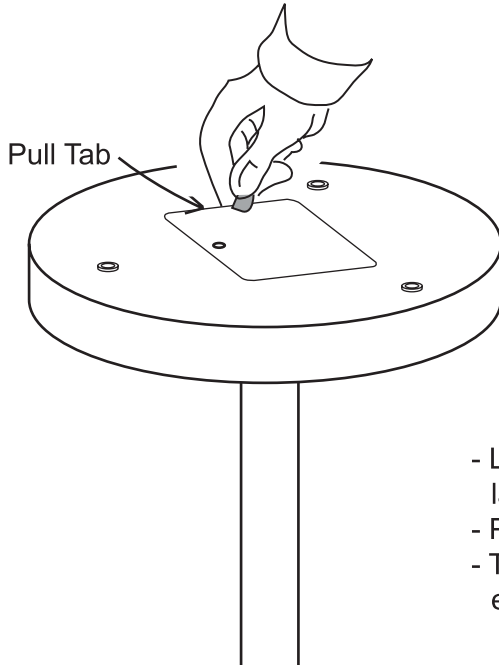
# Fancy Nancy Dollhouse



## Floor Lamp Battery Instructions

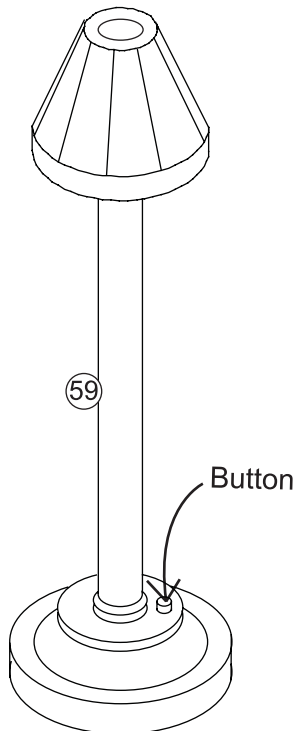
Item #25002

### Prior To Use



- Locate the Battery Compartment underneath the floor lamp (part 59)
- Pull the tab outward to remove and activate play mode.
- Three (3) LR44 / AG13 (1.5V) Batteries are included in each piece.

### Instructions for use



- Lights are activated when button is pressed.

**Customer Service**  
**1-800-933-0771**  
**www.kidkraft.com**



# Fancy Nancy Dollhouse

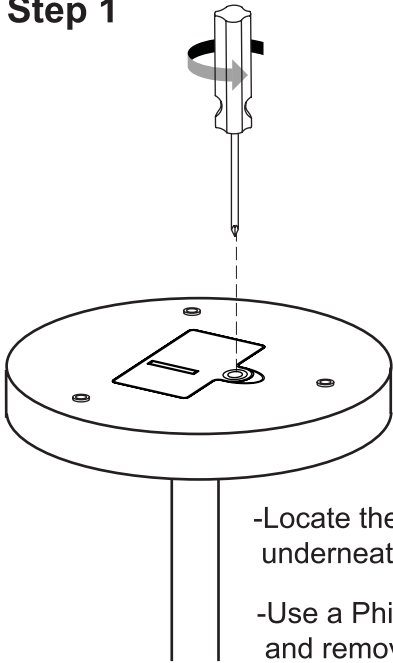


## Floor Lamp Battery Instructions

Item #25002

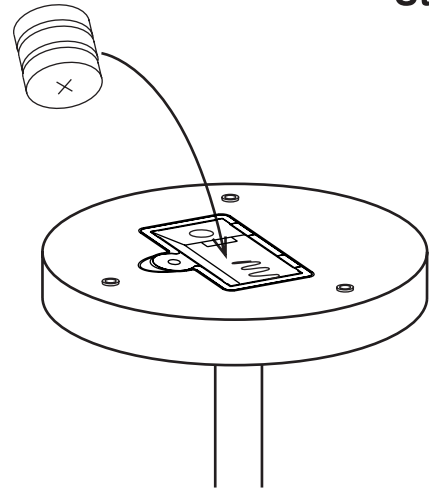
### To replace batteries

#### Step 1



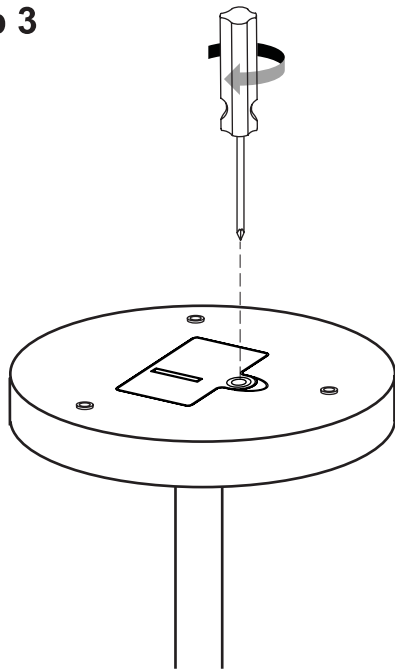
- Locate the Battery Compartment underneath the floor lamp.
- Use a Phillips® head screwdriver and remove cover and set aside.

#### Step 2



- Replace the old batteries with the 3 new LR44/AG13 batteries.
- Be sure that batteries are inserted with positive (+) facing the spring.
- Rechargeable batteries are to be removed from the toy before being charged.

#### Step 3



- Screw the cover back into place with a Phillips® head screwdriver.

### Battery Tips

- Batteries should always be installed and changed under adult supervision.
- Non-Rechargeable batteries are not to be recharged.
- Rechargeable batteries are only to be charged under adult supervision.
- Only batteries of the same equivalent type as recommended are to be used.
- Batteries are to be inserted with the correct polarity.
- Exhausted batteries are to be removed from the toy and disposed of properly.
- The supply terminals are not to be short circuited.
- DO NOT mix old and new batteries.
- DO NOT mix alkaline, standard (carbon-zinc) or rechargeable batteries.

Customer Service

1-800-933-0771

www.kidkraft.com



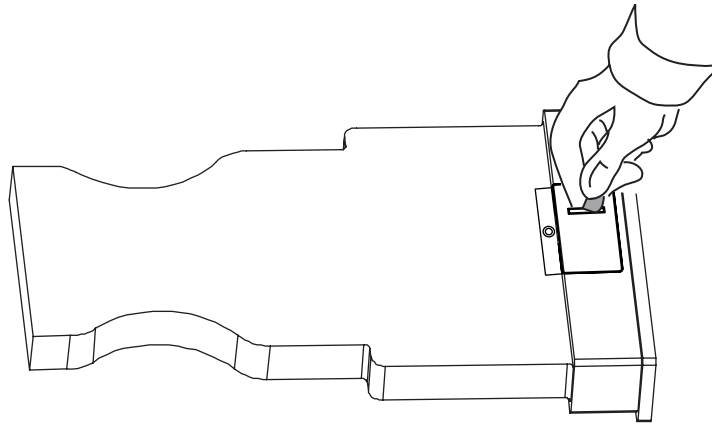
# Fancy Nancy Dollhouse



## Toilet Battery Instructions

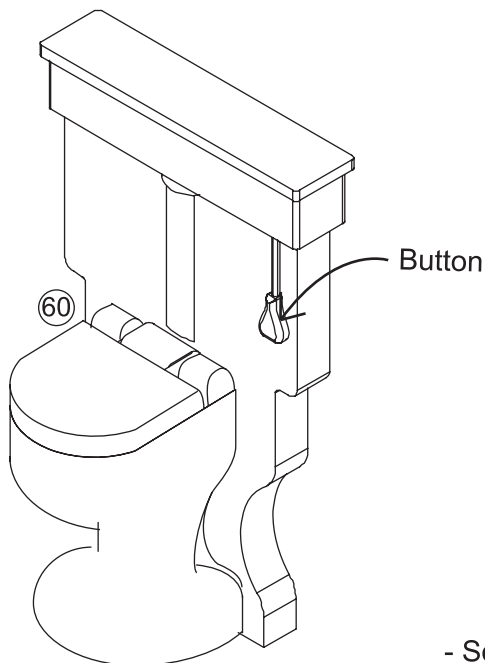
Item #25002

### Prior To Use



- Locate the Battery Compartment underneath the toilet (part 60)
- Pull the tab outward to remove and activate play mode.
- Three (3) LR44 / AG13 (1.5V) Batteries are included in each piece.

### Instructions for use



- Sounds are activated when button is pressed.

**Customer Service**  
**1-800-933-0771**  
**www.kidkraft.com**



# Fancy Nancy Dollhouse

## Toilet Battery Instructions



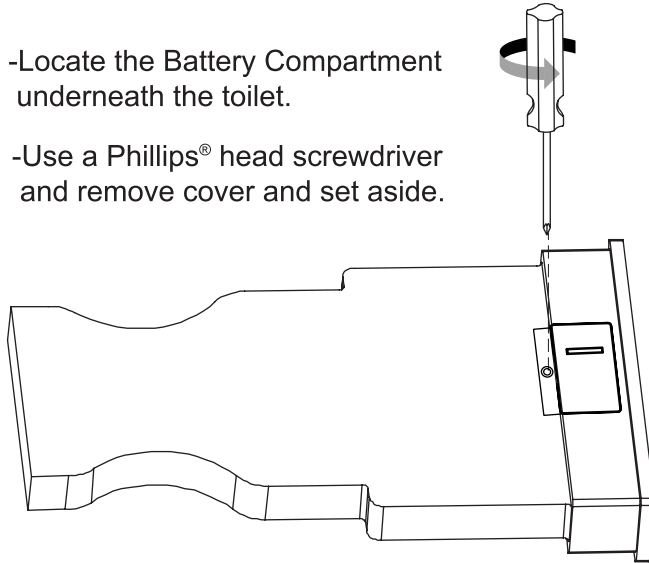
Item #25002

### To replace batteries

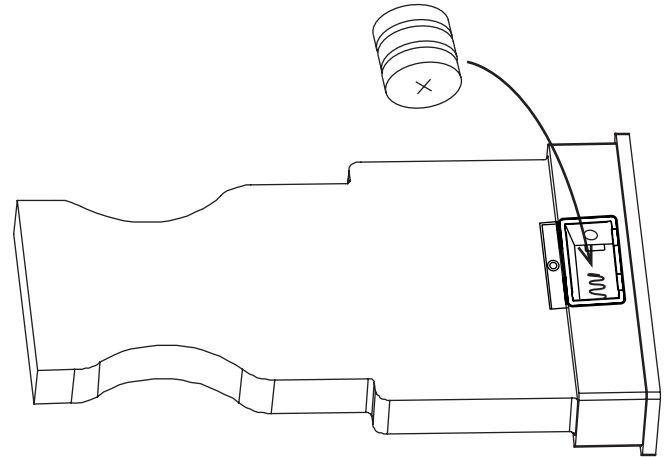
#### Step 1

-Locate the Battery Compartment underneath the toilet.

-Use a Phillips® head screwdriver and remove cover and set aside.

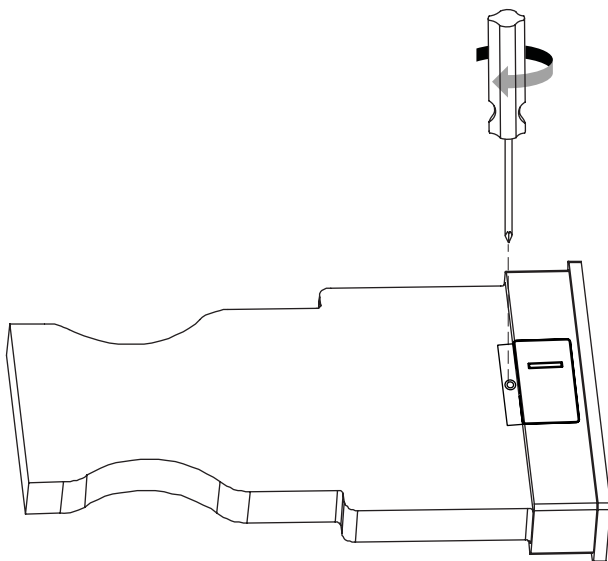


#### Step 2



- Replace the old batteries with the 3 new LR44/AG13 batteries.
- Be sure that batteries are inserted with positive (+) facing the spring.
- Rechargeable batteries are to be removed from the toy before being charged.

#### Step 3



-Screw the cover back into place with a Phillips® head screwdriver.

### Battery Tips

- Batteries should always be installed and changed under adult supervision.
- Non-Rechargeable batteries are not to be recharged.
- Rechargeable batteries are only to be charged under adult supervision.
- Only batteries of the same equivalent type as recommended are to be used.
- Batteries are to be inserted with the correct polarity.
- Exhausted batteries are to be removed from the toy and disposed of properly.
- The supply terminals are not to be short circuited.
- DO NOT mix old and new batteries.
- DO NOT mix alkaline, standard (carbon-zinc) or rechargeable batteries.

Customer Service

1-800-933-0771

[www.kidkraft.com](http://www.kidkraft.com)



# Fancy Nancy Dollhouse

## Battery Instructions



Item #25002

This device complies with Part 15 of the FCC Rules. Operation is subject to the following two conditions: (1) This device may not cause harmful interference, and (2) this device must accept any interference received, including interference that may cause undesired operation.

NOTE: This equipment has been tested and found to comply with the limits for a Class B digital device, pursuant to part 15 of the FCC Rules. These limits are designed to provide reasonable protection against harmful interference in a residential installation. This equipment generates, uses and can radiate radio frequency energy and, if not installed and used in accordance with the instructions, may cause harmful interference to radio communications. However, there is no guarantee that interference will not occur in a particular installation. If this equipment does cause harmful interference to radio or television reception, which can be determined by turning the equipment off and on, the user is encouraged to try to correct the interference by one or more of the following measures:

- Reorient or relocate the receiving antenna.
- Increase the separation between the equipment and receiver.
- Connect the equipment into an outlet on a circuit different from that to which the receiver is connected.
- Consult the dealer or an experienced radio /TV technician for help.

**Customer Service**  
**1-800-933-0771**  
**[www.kidkraft.com](http://www.kidkraft.com)**



**Parental supervision required.**

This toy is intended for children of a specific age or above. Parents should supervise the play area so that children younger than the intended age range do not interact with this toy. Use this toy on the floor. Do not allow children to climb on or around or in the toy.

**IMPORTANT INFORMATION - PLEASE READ FIRST**

ALL OF OUR WOODEN ITEMS ARE HANDCRAFTED, HAND ASSEMBLED, AND HAND PAINTED. EACH ONE IS UNIQUE. SLIGHT IMPERFECTIONS MAY OCCUR AND ARE NOT MANUFACTURING DEFECTS.

PLEASE NOTE THAT WE DO NOT WARRANTY AGAINST THE USE OF PERMANENT MARKERS, NON-WATER-BASED PAINTS, CRAYONS, OR WASHABLE MARKERS. SOME OF THESE ITEMS CONTAIN PERMANENT COLOR DYES THAT COULD DAMAGE THE SURFACE.

**CLEANING INSTRUCTIONS**

CLEAN THE SURFACE USING A SLIGHTLY DAMP CLOTH AND MILD DISH WASHING LIQUID IF NECESSARY. DO NOT USE ANY CLEANING PRODUCT CONTAINING ALCOHOL OR AMMONIA. THESE WILL DULL THE SHINY SURFACE OF THE PRODUCT. FURNITURE POLISH WILL ALSO WORK TO CLEAN AND DUST OFF THE SURFACE.

WE RECOMMEND THAT YOU TEST ALL CLEANING MATERIALS ON THE UNDERSIDE OF ANY SURFACE THAT WOULD NOT BE SEEN DURING NORMAL USE OF THE PRODUCT. IF YOU HAVE QUESTIONS REGARDING THE MAINTENANCE OF THIS PRODUCT PLEASE FEEL FREE TO CALL US.

**SOLE AND LIMITED WARRANTY**

THIS TOY IS WARRANTED SOLELY AGAINST MANUFACTURING DEFECTS FOR A PERIOD OF 90 DAYS FROM THE DATE OF PURCHASE, WHICH RUNS ONLY TO THE ORIGINAL USER OF THE TOY. IN THE EVENT OF A MANUFACTURING DEFECT, PARTS WILL BE REPLACED OR THE ENTIRE PRODUCT WILL BE REPLACED OR THE PURCHASE PRICE WILL BE REFUNDED, AT THE ELECTION OF THE MANUFACTURER. TO ACTIVATE AND PROTECT THIS WARRANTY, PRESERVE EVIDENCE OF ORIGINAL PURCHASE AND CAREFULLY INSPECT THE CONDITION OF THE TOY PRIOR TO AND AFTER ASSEMBLY, LOOKING FOR MISSING, DEGRADED, BROKEN OR HAZARDOUS PARTS, INCLUDING PARTS WHICH CAN BE SWALLOWED BY A CHILD, CAUSE A CHILD TO CHOKe, OR OTHERWISE CAUSE INJURY. SUCH PARTS MAY INCLUDE MAGNETS, WHEELS, HUBS, FASTENERS, AND CONNECTORS. SHOULD YOU OBSERVE ANY DEFECTS, DO NOT USE THE TOY AND IMMEDIATELY NOTIFY THE MANUFACTURER. FAILURE TO DO SO SHALL CONSTITUTE MISUSE. MISUSE, IMPROPER ASSEMBLY, FAILURE TO HONOR A WARNING, FAILURE TO SUPERVISE, INSPECT OR MAINTAIN THE TOY, OR DAMAGE TO THE TOY, WHETHER INTENTIONAL OR INADVERTENT, SHALL INVALIDATE THIS WARRANTY. THIS WARRANTY GIVES YOU SPECIFIC LEGAL RIGHTS, AND YOU MAY ALSO HAVE OTHER RIGHTS WHICH VARY FROM STATE TO STATE.

TO SUBMIT A WARRANTY CLAIM PLEASE CONTACT KIDKRAFT CUSTOMER SERVICE AT 1-800-933-0771 FOR INSTRUCTIONS ON HOW TO PROVIDE PROOF OF PURCHASE AND HOW TO RETURN THE ITEM FREIGHT PRE-PAID.

**CUSTOMER SERVICE 1-800-933-0771**

**[www.kidkraft.com](http://www.kidkraft.com)**