

MODEL: 32104ORB

## ASSEMBLY INSTRUCTIONS

READ AND SAVE THESE INSTRUCTIONS

READ INSTRUCTIONS ALL THE WAY THROUGH PRIOR TO ASSEMBLY.  
THIS LAMP SHOULD TAKE APPROXIMATELY 10 MINUTES TO ASSEMBLE.

MAKE SURE ALL PARTS ARE FIRMLY TIGHTENED.

TOOLS YOU WILL NEED THE FOLLOWING TOOLS OR EQUIPMENT:  
SCREWDRIVER AND DRILL.

### UNPACK THE FIXTURE

TO PROTECT THE FINISH, PLACE ALL PARTS ON A SOFT SURFACE. YOU SHOULD HAVE RECEIVED THE FOLLOWING: LARGE FINIAL, RUBBER WASHER, SHADE, STEM, UPPER METAL FRAME ASSEMBLY, LOWER METAL FRAME, WRENCH, (3) PLASTIC ANCHORS, (3) WOOD SCREWS, MOUNTING PLATE, (4) 8-32 x 1-1/4" SCREWS, (2) NUTS, GREEN GROUND SCREW, WIRE CONNECTOR AND (2) BALL FINIALS.

### FIXTURE ASSEMBLY

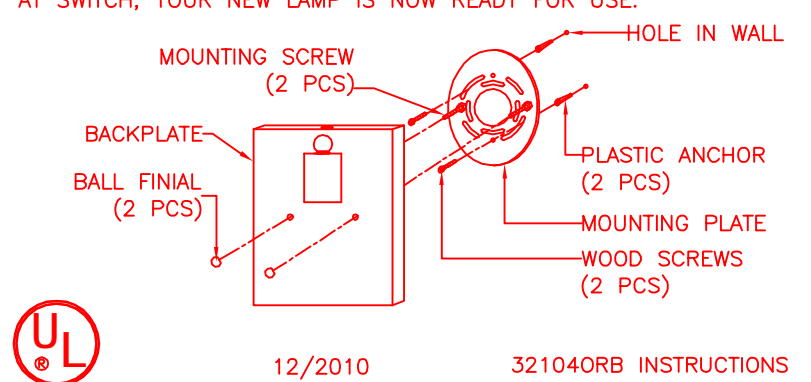
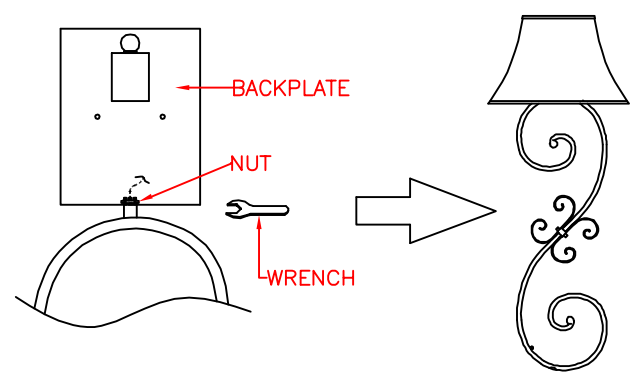
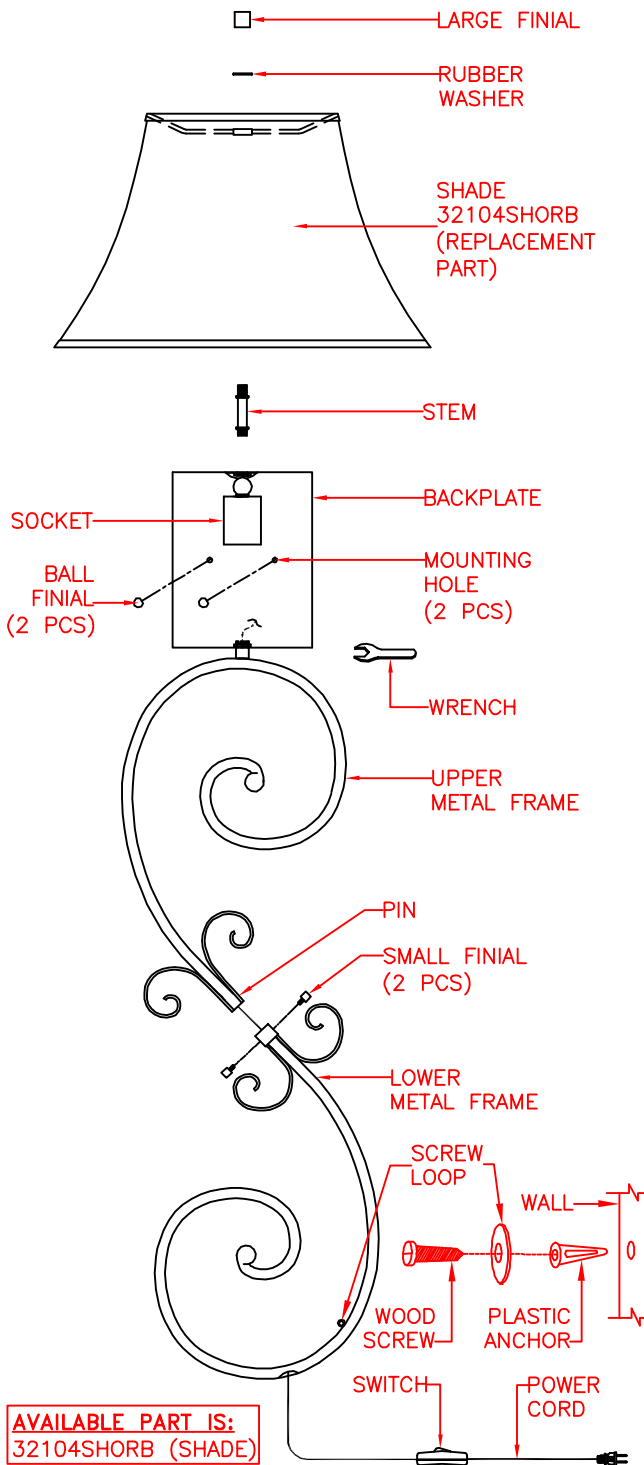
1. REMOVE (2) SMALL FINIALS FROM UPPER METAL FRAME.
2. INSERT PIN OF UPPER METAL FRAME INTO HOLE OF LOWER METAL FRAME AND SECURE WITH (2) SMALL FINIALS REMOVED ABOVE.
3. IF YOU WANT TO CHANGE DIRECTION OF THE METAL FRAMES, LOOSE NUT FROM BACK OF THE BACKPLATE, ADJUST THE POSITION OF METAL FRAMES, THEN TIGHTEN THE NUT. (WRENCH INCLUDED)

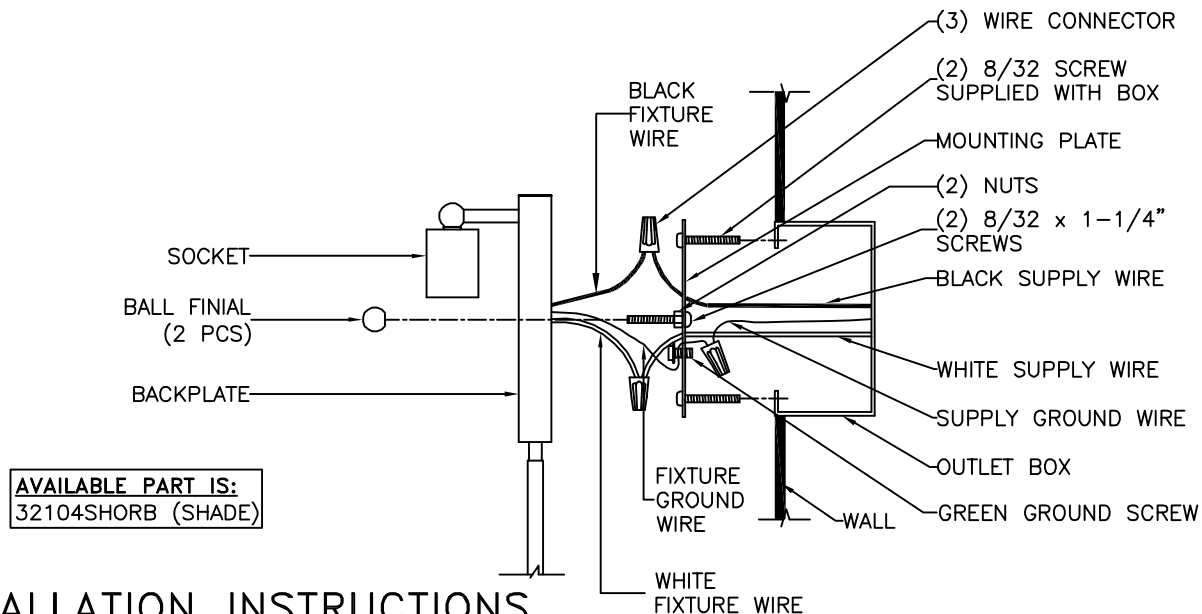
NOTE: IF USING POWER CORD FOLLOW INSTRUCTIONS BELOW, IF WIRING TO AN OUTLET BOX PROCEED TO NEXT PAGE.

1. POSITION THE LAMP ON THE WALL AT DESIRED LOCATION AND MARK THE PLACE FOR THE WOOD SCREWS TO BE INSTALLED.
2. DRILL PILOT HOLES ON THE MARKED SPOTS AND INSERT PLASTIC ANCHORS. (IF FASTENING WITH WOOD SCREWS TO STUD, SKIP THIS STEP)
3. INSERT (2) MOUNTING SCREWS INTO MOUNTING PLATE TO LINE UP WITH HOLES IN BACKPLATE AND SECURE THE (2) MOUNTING SCREWS TO MOUNTING PLATE WITH (2) NUTS, ATTACH THE MOUNTING PLATE TO THE ANCHORS OR THE SPOTS THAT YOU MARKED ON STUD AND SECURE WITH (2) WOOD SCREWS. SEE DIAGRAM AS BELOW.
4. RAISE THE LAMP ASSEMBLY TO WALL, LINE UP THE HOLES OF BACKPLATE WITH MOUNTING SCREWS AND SECURE WITH (2) BALL FINIALS.
5. ATTACH LOWER METAL FRAME TO THE WALL, THEN SECURE THE LOWER METAL FRAME TO THE LOWER PLASTIC ANCHORS OR THE LOWER SPOTS THAT YOU MARKED ON STUDS WITH WOOD SCREW.

### FINAL ASSEMBLY

1. SCREW STEM TO TOP OF BACKPLATE.
2. PLACE SHADE ON THE STEM, THEN SECURE WITH RUBBER WASHER AND LARGE FINIAL.
3. INSTALL A 100 WATT MAXIMUM MEDIUM BASE TYPE "A" BULB (NOT INCLUDED) INTO SOCKET.
4. PLUG CORD INTO AN OUTLET OR RESTORE POWER AND TURN ON AT SWITCH, YOUR NEW LAMP IS NOW READY FOR USE.





**AVAILABLE PART IS:**  
32104SHORB (SHADE)

## INSTALLATION INSTRUCTIONS

### READ AND SAVE THESE INSTRUCTIONS

**CAUTION:** TO AVOID POSSIBLE ELECTRIC SHOCK, MAKE SURE THE ELECTRICITY IS SHUT OFF AT THE MAIN PANEL. IF YOU ARE REPLACING AN EXISTING FIXTURE, FIRSTLY, TURN THE FIXTURE OFF. NEXT, TURN THE WALL SWITCH OFF. FINALLY, GO TO THE MAIN FUSE OR BREAKER BOX IN YOUR HOME. TURN THE FUSE OR BREAKER TO THE OFF POSITION. SOME TYPES OF FUSES MUST BE UNSCREWED TO SHUT OFF THE POWER.

\* ALL WIRING MUST BE DONE IN ACCORDANCE WITH NATIONAL AND LOCAL ELECTRIC CODES.

\*\* IF YOU DO NOT HAVE ELECTRICAL WIRING EXPERIENCE, HAVE YOUR FIXTURE INSTALLED BY A QUALIFIED LICENSED ELECTRICIAN.

\*\*\* THIS FIXTURE IS TO BE MOUNTED TO A UL LISTED OUTLET BOX CAPABLE OF SUPPORTING THE WEIGHT OF THIS FIXTURE. THE OUTLET BOX MUST BE DIRECTLY SUPPORTED BY THE BUILDING STRUCTURE.

**TOOLS:** YOU WILL NEED THE FOLLOWING TOOLS OR EQUIPMENT: SCREWDRIVER AND DRILL.

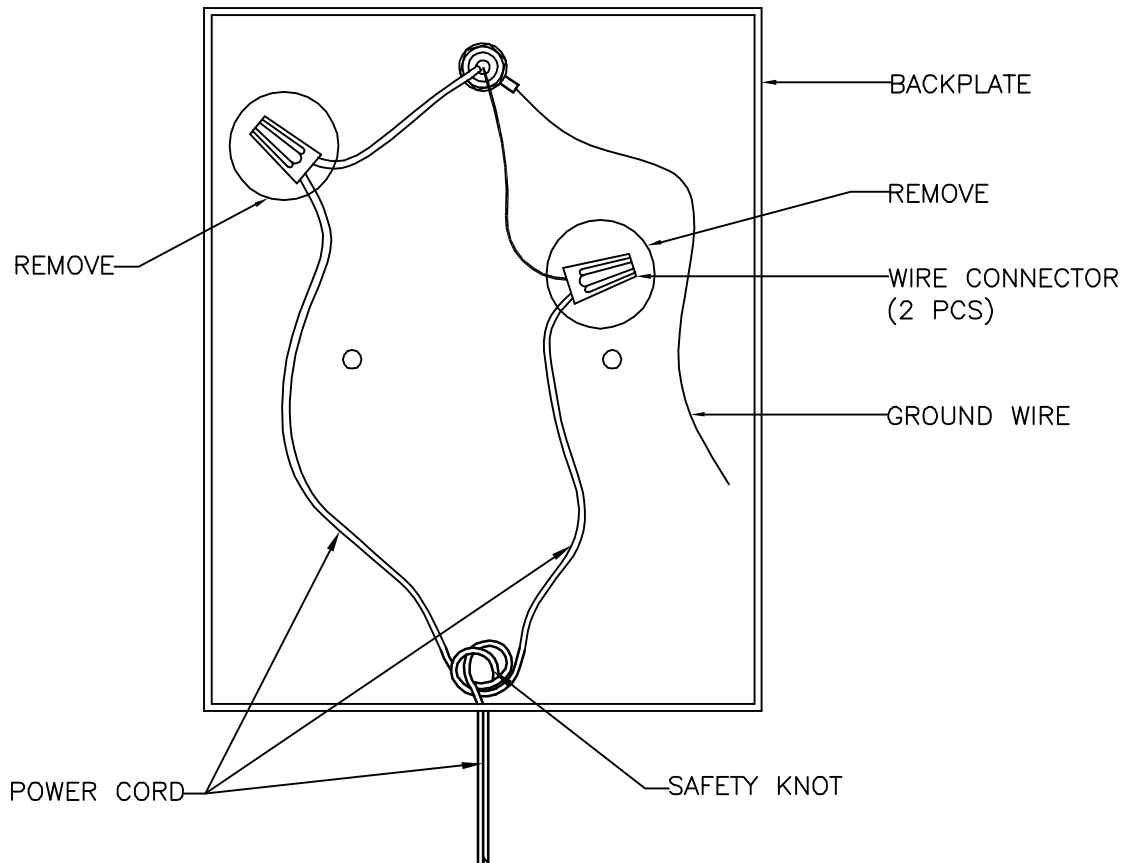
**NOTE:** COMPLETE FIXTURE ASSEMBLY INSTRUCTIONS FIRST (SEE PREVIOUS PAGE). IF WIRING TO OUTLET BOX FOLLOW INSTRUCTIONS BELOW. IF USING POWER CORD, PROCEED TO PREVIOUS PAGE.

### INSTALL THE FIXTURE

1. REMOVE POWER CORD. (SEE DETAIL ON NEXT PAGE).
2. POSITION THE FIXTURE ON THE WALL AT DESIRED LOCATION AND MARK THE PLACE FOR THE WOOD SCREW TO BE INSTALLED.
3. DRILL A PILOT HOLE ON THE MARKED SPOT AND INSERT PLASTIC ANCHOR. (IF FASTENING WITH WOOD SCREW TO STUD, SKIP THIS STEP).
4. INSERT (2) MOUNTING SCREWS INTO MOUNTING PLATE TO LINE UP WITH HOLES IN BACKPLATE AND SECURE THE (2) MOUNTING SCREWS TO MOUNTING PLATE WITH (2) NUTS. ATTACH MOUNTING PLATE TO OUTLET BOX USING TWO SCREWS PROVIDED WITH THE OUTLET BOX. (NOTE: IF THE SCREWS WITH THE OUTLET BOX ARE TOO SHORT, USE THE (2) 8-32 x 1-1/4" SCREWS PROVIDED IN THE MOUNTING HARDWARE PACKAGE).
5. CONNECT THE WHITE OR RIBBED FIXTURE WIRE TO THE WHITE SUPPLY WIRE IN THE OUTLET BOX USING THE TWIST-ON WIRE CONNECTOR PROVIDED. CONNECT THE BLACK OR SMOOTH FIXTURE WIRE TO THE BLACK SUPPLY WIRE IN THE SAME MANNER. INSTALL THE FIXTURE GROUND WIRE UNDER THE GREEN GROUND SCREW ON THE CROSSBAR THEN CONNECT THE FIXTURE GROUND WIRE TO THE SUPPLY GROUND WIRE IN THE OUTLET BOX USING THE TWIST-ON WIRE CONNECTOR PROVIDED.
6. RAISE FIXTURE TO THE WALL AND CAREFULLY TUCK THE WIRES INSIDE THE OUTLET BOX. SPREAD THE ELECTRICAL SPLICES SO THAT THE BLACK WIRES ARE ON ONE SIDE OF THE OUTLET BOX AND THE WHITE WIRES ARE ON THE OTHER SIDE. LINE UP MOUNTING SCREWS WITH HOLES IN BACKPLATE AND SECURE WITH (2) BALL FINIALS.
7. ATTACH LOWER METAL FRAME TO THE WALL, THEN SECURE THE LOWER METAL FRAME TO THE LOWER PLASTIC ANCHOR OR THE LOWER SPOT THAT YOU MARKED ON STUD WITH A WOOD SCREW. (SEE DETAIL ON PREVIOUS PAGE)
8. SEE PREVIOUS PAGE FOR FINAL ASSEMBLY INSTRUCTIONS.



## REAR VIEW OF BACKPLATE



### REMOVING THE POWER CORD

\* THE POWER CORD IS THE WIRE THAT ENTERS THROUGH THE BOTTOM OF BACKPLATE.

1. REMOVE THE (2) WIRE CONNECTORS THAT CONNECT TO POWER CORD BY TWISTING COUNTER CLOCKWISE. (SEE DIAGRAM)
2. UNTIE SAFETY KNOT AND PULL POWER CORD OUT THROUGH BOTTOM OF BACKPLATE.
3. FOLLOW OUTLET BOX INSTALLATION INSTRUCTIONS FOR WIRING TO AN OUTLET BOX.

