

MODEL: 50185LT
ASSEMBLY INSTRUCTIONS
READ AND SAVE THESE INSTRUCTIONS

READ INSTRUCTIONS ALL THE WAY THROUGH PRIOR TO ASSEMBLY.

THIS FOUNTAIN SHOULD TAKE APPROXIMATELY 15 MINUTES TO ASSEMBLE.

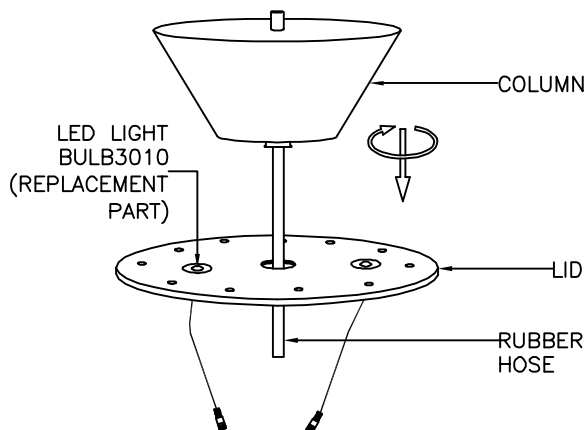
MAKE SURE ALL PARTS ARE FIRMLY TIGHTENED.

UNPACK THE FOUNTAIN

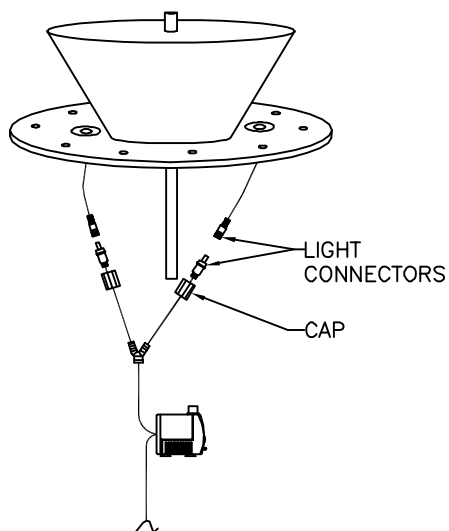
YOU SHOULD HAVE RECEIVED THE FOLLOWING PARTS: COLUMN, LID, RESERVOIR, PUMP, TRANSFORMER AND A BAG OF RIVER STONES.

FOUNTAIN ASSEMBLY

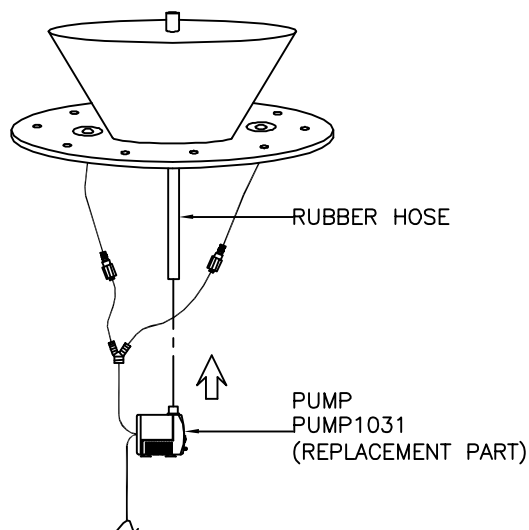
1. PLACE COLUMN ONTO LID AND TWIST THE COLUMN TO SECURE AS SHOWN.



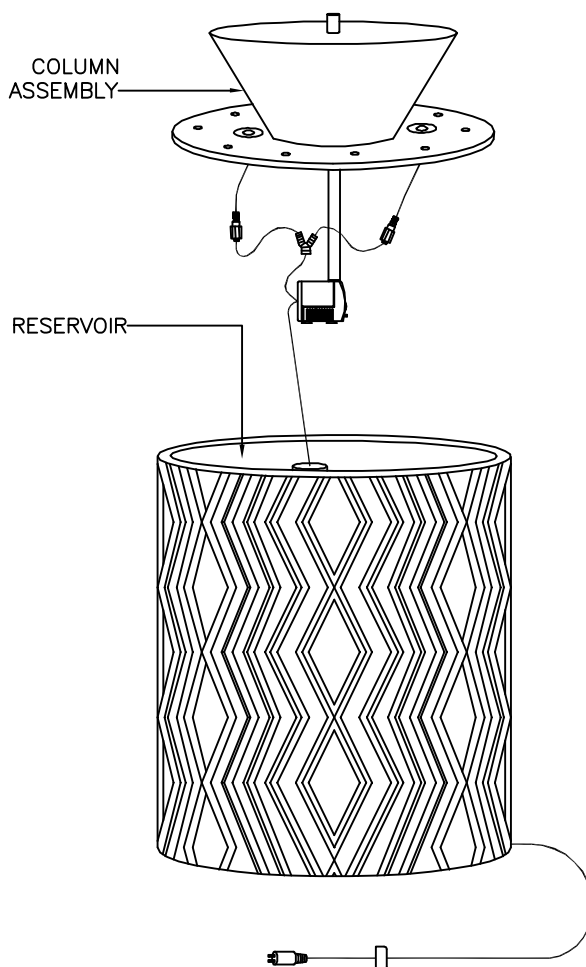
2. JOIN THE LIGHT CONNECTORS AND SCREW THE CAPS TO CONNECTORS TIGHTLY TOGETHER.



3. ATTACH PUMP TO RUBBER HOSE.



4. PLACE COLUMN ASSEMBLY INTO RESERVOIR.

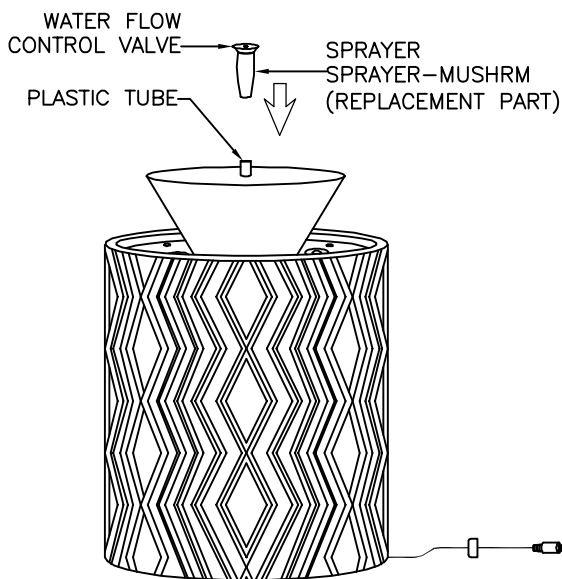


MODEL: 50185LT
ASSEMBLY INSTRUCTIONS
READ AND SAVE THESE INSTRUCTIONS

FOUNTAIN ASSEMBLY

5. ATTACH SPRAYER TO PLASTIC TUBE IF DESIRED.

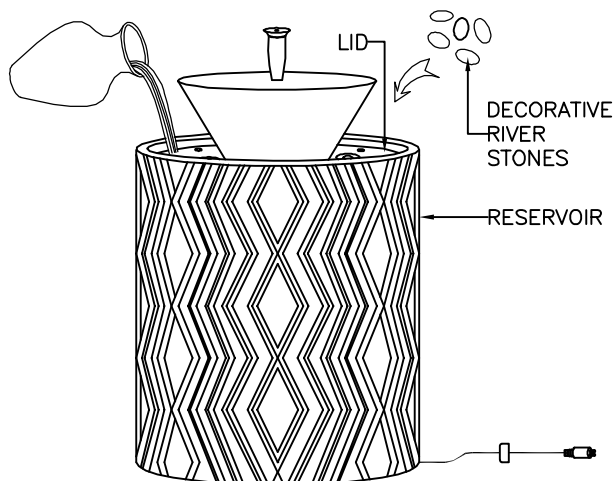
NOTE: YOU CAN ADJUST THE WATER FLOW CONTROL VALVE TO CONTROL THE SPEED OF THE WATER FLOW.



6. FILL RESERVOIR WITH 3.7 GALLONS OF WATER TO COMPLETELY SUBMERSE THE PUMP.

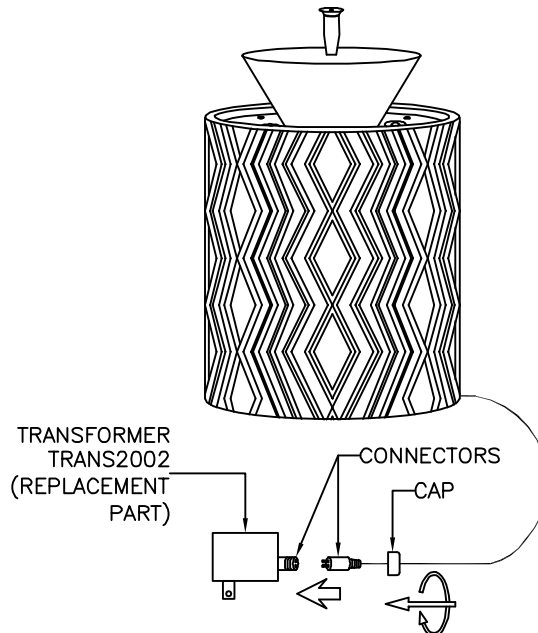
NOTE: DISTILLED WATER IS RECOMMENDED TO REDUCE MINERAL DEPOSITS AND BACTERIA BUILD-UP.

7. PLACE DECORATIVE RIVER STONES ONTO TOP OF LID.



8. JOIN THE CONNECTORS AT TRANSFORMER AND SCREW THE CAP TO CONNECTOR TIGHTLY TOGETHER.

9. PLUG TRANSFORMER INTO SOCKET, YOUR NEW FOUNTAIN IS READY FOR USE.



TROUBLE SHOOTING:

1. IF YOUR FOUNTAIN DOES NOT WORK, CHECK PLUG AT THE SOCKET. MAKE SURE THE PLUG IS FULLY AND PROPERLY INSERTED INTO THE WALL OUTLET.
2. NEXT CHECK TO MAKE SURE THE OUTLET IS POWERED.
3. IF THE FOUNTAIN STILL DOES NOT WORK, PLEASE CONTACT YOUR DISTRIBUTOR OR PLACE OF PURCHASE.

IMPORTANT PUMP INFORMATION:

PUMP MUST BE FULLY SUBMERSED IN WATER WHILE OPERATING. PLEASE SEE BELOW FOR PUMP REPLACEMENT.

SPLASHING DISCLAIMER: SPLASHING MAY OCCUR WHEN FOUNTAIN IS INITIALLY TURNED ON. PROTECT SURROUNDING SURFACES AS NEEDED.

WATER: TO REDUCE MINERAL DEPOSITS AND BACTERIA BUILD UP THE USE OF DISTILLED WATER IS RECOMMENDED.

WARNING:

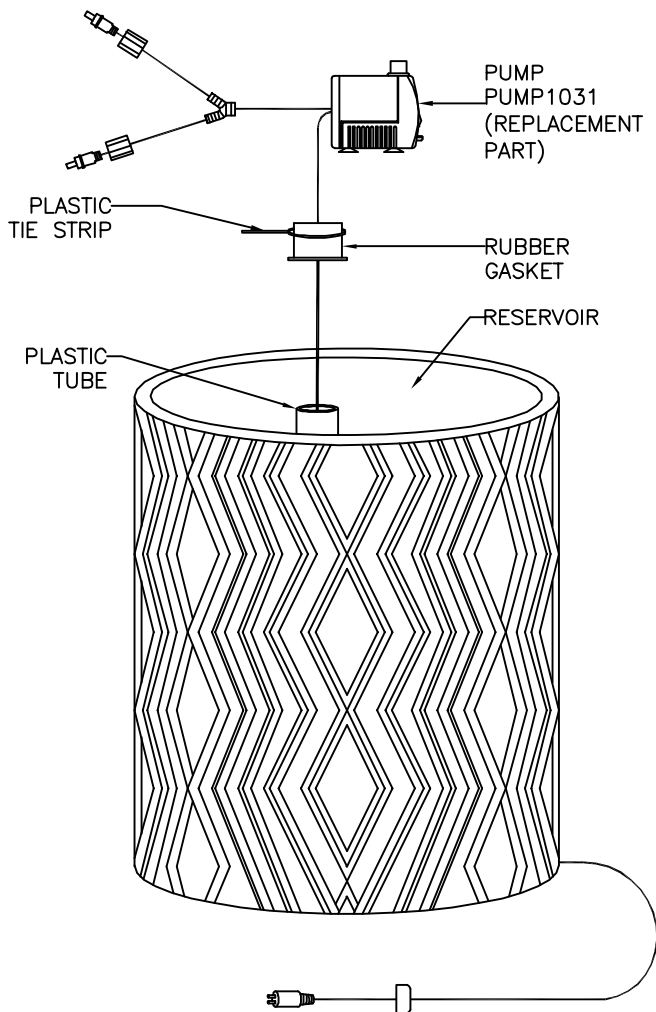
* ONCE A WEEK INSPECT FOUNTAIN, FLOOR AND ADJACENT WALL FOR MOISTURE BUILD-UP AND CLEAN AS NECESSARY. THIS IS ESPECIALLY IMPORTANT FOR HUMID ENVIRONMENTS.

** THIS FOUNTAIN IS RATED FOR OUTDOOR USE.

*** THIS UNIT MUST BE CONNECTED TO A SUPPLY CIRCUIT THAT IS PROTECTED BY A GROUND FAULT CIRCUIT INTERRUPTER (GFCI). THE GFCI SHOULD BE TESTED ON A ROUTINE BASIS. TO TEST THE GFCI, PUSH THE TEST BUTTON. THE GFCI SHOULD INTERRUPT POWER. PUSH THE RESET BUTTON. POWER SHOULD BE RESTORED. IF THE GFCI FAILS TO OPERATE IN THIS MANNER, THE GFCI IS DEFECTIVE.

MODEL: 50185LT
ASSEMBLY INSTRUCTIONS
READ AND SAVE THESE INSTRUCTIONS

PUMP REPLACEMENT:



PUMP REPLACEMENT:

1. UNPLUG THE FOUNTAIN.
2. DISASSEMBLE THE FOUNTAIN AS NECESSARY TO EXPOSE RESERVOIR.
3. REMOVE ALL WATER FROM RESERVOIR.
4. SNIP THE PLASTIC TIE STRIP.
5. PEEL BACK RUBBER GASKET FROM PLASTIC TUBE.
6. PULL OUT OLD PUMP FROM FOUNTAIN.
7. THREAD CORD FOR NEW PUMP THROUGH PLASTIC TUBE.
8. PLACE RUBBER GASKET OVER PLASTIC TUBE AND SECURE BY TIGHTENING A NEW PLASTIC TIE STRIP.
9. REASSEMBLE THE FOUNTAIN WITH NEW PUMP.

AVAILABLE PARTS ARE:

PUMP1031 (PUMP)
TRANS2002 (TRANSFORMER)
BULB3010 (LED LIGHT)
SPRAYER-MUSHRM (SPRAYER)