

MODEL: 50184SS

ASSEMBLY INSTRUCTIONS

READ AND SAVE THESE INSTRUCTIONS
READ INSTRUCTIONS ALL THE WAY THROUGH
PRIOR TO ASSEMBLY.

THIS FOUNTAIN SHOULD TAKE APPROXIMATELY 5
MINUTES TO ASSEMBLE.

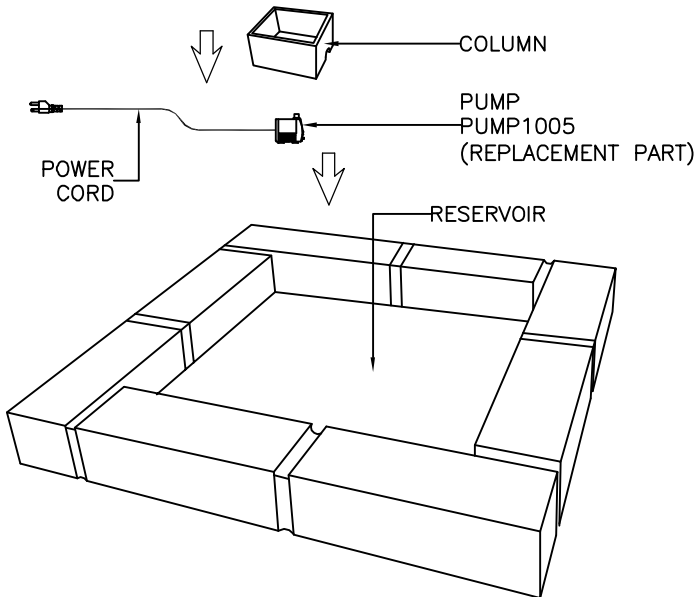
MAKE SURE ALL PARTS ARE FIRMLY TIGHTENED.

UNPACK THE FOUNTAIN

YOU SHOULD HAVE RECEIVED THE FOLLOWING PARTS:
FOUNTAIN BODY, COLUMN, PUMP AND RESERVOIR.

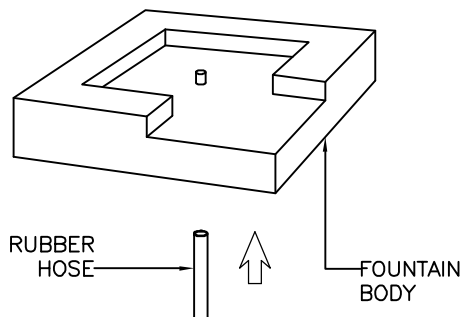
FOUNTAIN ASSEMBLY

1. PLACE PUMP INTO RESERVOIR AND PLACE COLUMN INTO RESERVOIR, MAKE SURE THE POWER CORD EXTIS FROM THE NOTCH OF COLUMN AND THE CHANNEL IN RESERVOIR.

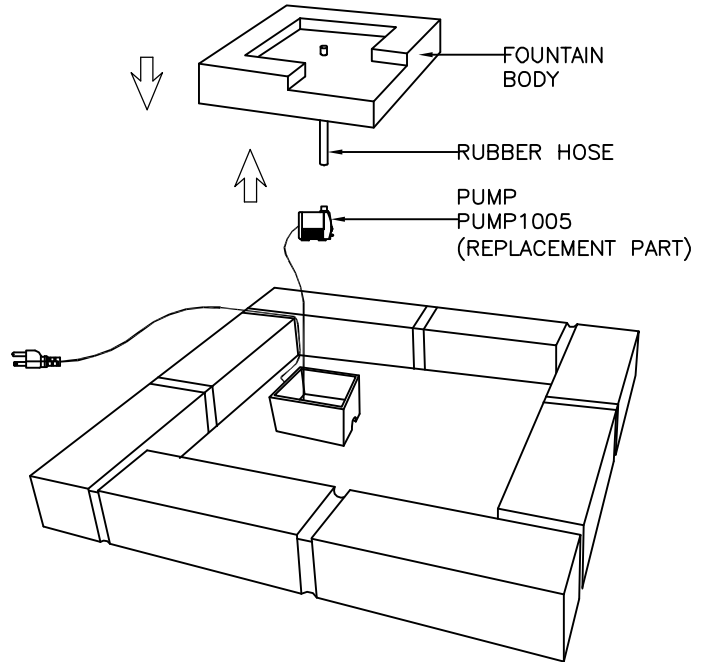


NOTE: THIS FOUNTAIN HAVE TWO
DIFFERENT LOOKING FOR YOUR CHOICE.

A1. ATTACH RUBBER HOSE TO THE PLASTIC TUBE ON BOTTOM OF FOUNTAIN BODY.

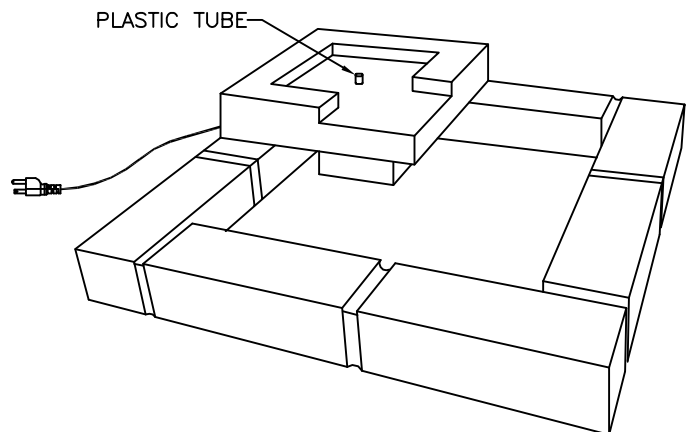
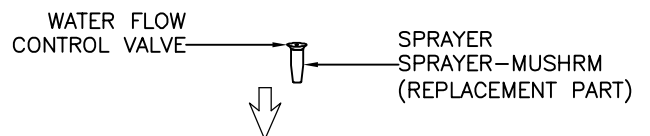


A2. ATTACH PUMP TO RUBBER HOSE, THEN PLACE FOUNTAIN BODY ONTO COLUMN AS SHOWN.



A3. ATTACH SPRAYER TO PLASTIC TUBE IF DESIRED.

NOTE: YOU CAN ADJUST THE WATER FLOW CONTROL VALVE TO CONTROL THE SPEED OF THE WATER FLOW.



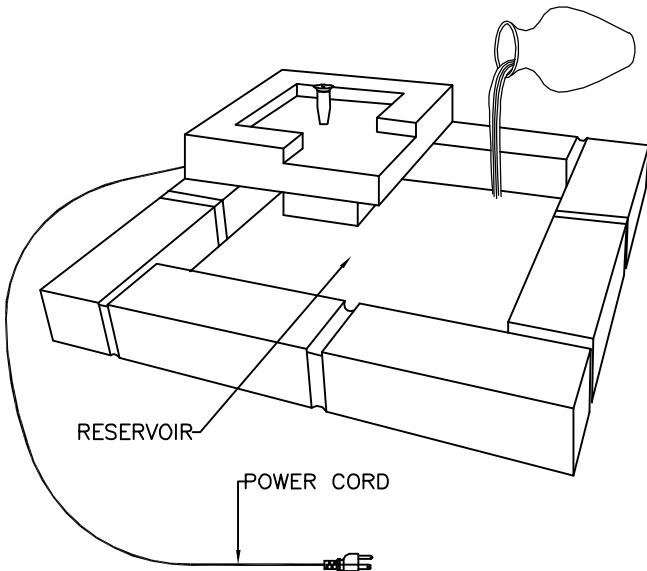
MODEL: 50184SS

ASSEMBLY INSTRUCTIONS

READ AND SAVE THESE INSTRUCTIONS

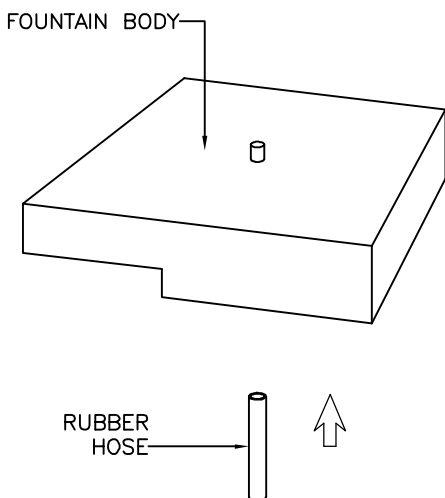
A4. FILL RESERVOIR WITH 3.6 GALLONS OF WATER TO COMPLETELY SUBMERSE THE PUMP.

NOTE: DISTILLED WATER IS RECOMMENDED TO REDUCE MINERAL DEPOSITS AND BACTERIA BUILD-UP.

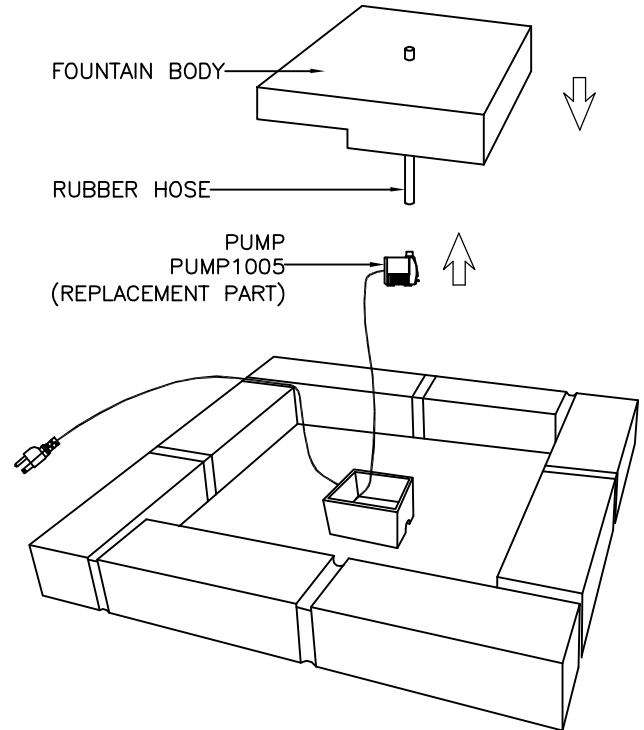


A5. PLUG POWER CORD INTO SOCKET, YOUR NEW FOUNTAIN IS READY FOR USE.

B1. ATTACH RUBBER HOSE TO THE PLASTIC TUBE ON BOTTOM OF FOUNTAIN BODY.

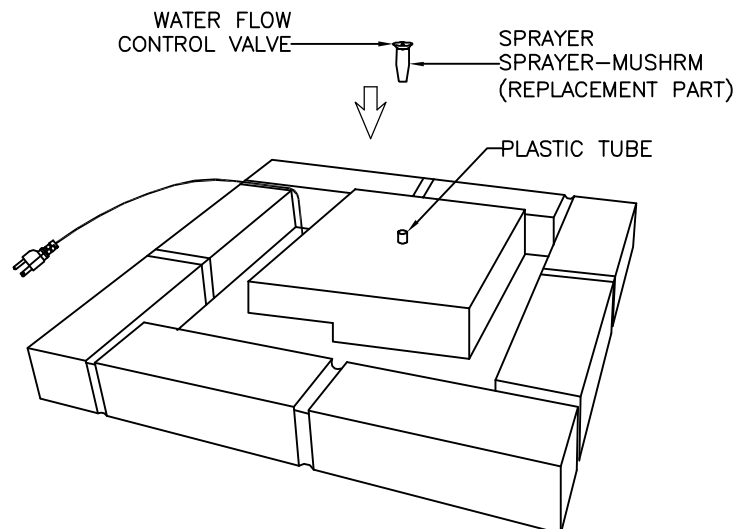


B2. ATTACH PUMP TO RUBBER HOSE, THEN PLACE FOUNTAIN BODY ONTO COLUMN AS SHOWN.



B3. ATTACH SPRAYER TO PLASTIC TUBE IF DESIRED.

NOTE: YOU CAN ADJUST THE WATER FLOW CONTROL VALVE TO CONTROL THE SPEED OF THE WATER FLOW.



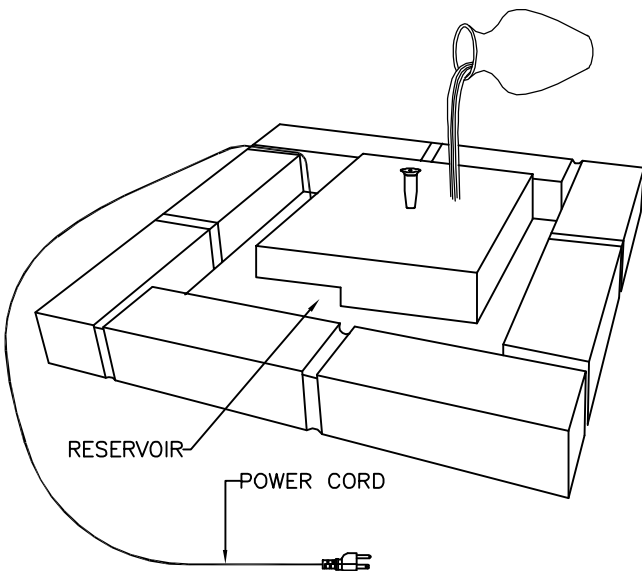
MODEL: 50184SS

ASSEMBLY INSTRUCTIONS

READ AND SAVE THESE INSTRUCTIONS

B4. FILL RESERVOIR WITH 3.6 GALLONS OF WATER TO COMPLETELY SUBMERSE THE PUMP.

NOTE: DISTILLED WATER IS RECOMMENDED TO REDUCE MINERAL DEPOSITS AND BACTERIA BUILD-UP.



B5. PLUG POWER CORD INTO SOCKET, YOUR NEW FOUNTAIN IS READY FOR USE.

AVAILABLE PARTS ARE:

PUMP1005 (PUMP)

SPRAYER-MUSHRM (SPRAYER)

TROUBLE SHOOTING:

1. IF YOUR FOUNTAIN DOES NOT WORK, CHECK PLUG AT THE SOCKET. MAKE SURE THE PLUG IS FULLY AND PROPERLY INSERTED INTO THE WALL OUTLET.

2. NEXT CHECK TO MAKE SURE THE OUTLET IS POWERED.

3. IF THE FOUNTAIN STILL DOES NOT WORK, PLEASE CONTACT YOUR DISTRIBUTOR OR PLACE OF PURCHASE.

IMPORTANT PUMP INFORMATION:

PUMP MUST BE FULLY SUBMERSED IN WATER WHILE OPERATING. PLEASE SEE NEXT PAGE FOR PUMP REPLACEMENT.

SPLASHING DISCLAIMER:

SPLASHING MAY OCCUR WHEN FOUNTAIN IS INITIALLY TURNED ON. PROTECT SURROUNDING SURFACES AS NEEDED.

WATER:

TO REDUCE MINERAL DEPOSITS AND BACTERIA BUILD UP THE USE OF DISTILLED WATER IS RECOMMENDED.

WARNING:

* ONCE A WEEK INSPECT FOUNTAIN, FLOOR AND ADJACENT WALL FOR MOISTURE BUILD-UP AND CLEAN AS NECESSARY. THIS IS ESPECIALLY IMPORTANT FOR HUMID ENVIRONMENTS.

** THIS FOUNTAIN IS RATED FOR OUTDOOR USE.

*** THIS UNIT MUST BE CONNECTED TO A SUPPLY CIRCUIT THAT IS PROTECTED BY A GROUND FAULT CIRCUIT INTERRUPTER (GFCI). THE GFCI SHOULD BE TESTED ON A ROUTINE BASIS. TO TEST THE GFCI, PUSH THE TEST BUTTON. THE GFCI SHOULD INTERRUPT POWER. PUSH THE RESET BUTTON. POWER SHOULD BE RESTORED. IF THE GFCI FAILS TO OPERATE IN THIS MANNER, THE GFCI IS DEFECTIVE.