

ASSEMBLY INSTRUCTIONS

READ AND SAVE THESE INSTRUCTIONS

UNPACK THE LAMP

YOU SHOULD HAVE RECEIVED THE FOLLOWING PARTS IN THE PACKAGE: LAMP BODY, (2) POLES AND BASE. TO PROTECT THE FINISH, PLACE ALL PARTS ON A SOFT SURFACE.

ASSEMBLE THE LAMP

1. CAREFULLY ORGANIZE AND PLACE ALL PARTS ON A SMOOTH, FLAT SURFACE. LINE UP ALL OF THE PARTS ACCORDING TO THE ASSEMBLY DIAGRAM.
2. SCREW LOWER POLE TO TOP OF BASE.
3. SCREW UPPER POLE TO TOP OF LOWER POLE.
4. SCREW LAMP BODY TO TOP OF UPPER POLE.
5. PLUG THE POWER CORD INTO AN OUTLET AND TURN ON AT SWITCH.

SAFETY INSTRUCTIONS

1. DO NOT TOUCH LIGHTED BULB.
2. DO NOT LOOK DIRECTLY AT LIGHTED BULB.
3. KEEP AWAY FROM COMBUSTIBLE MATERIALS.
4. TURN OFF AND ALLOW LAMP TO COOL BEFORE ADJUSTING AND CLEANING.
5. TURN OFF AND UNPLUG THE LAMP, MAKE SURE THE LAMP IS COOL BEFORE REPLACING BULB.
6. BULB MAY CONTAIN MERCURY, KEEP AWAY FROM CHILDREN AND DISPOSE OF PROPERLY WHEN RELAMPING.

BULB REPLACEMENT

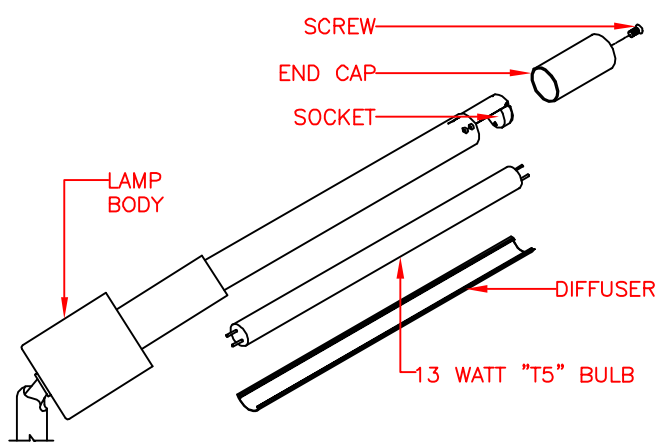
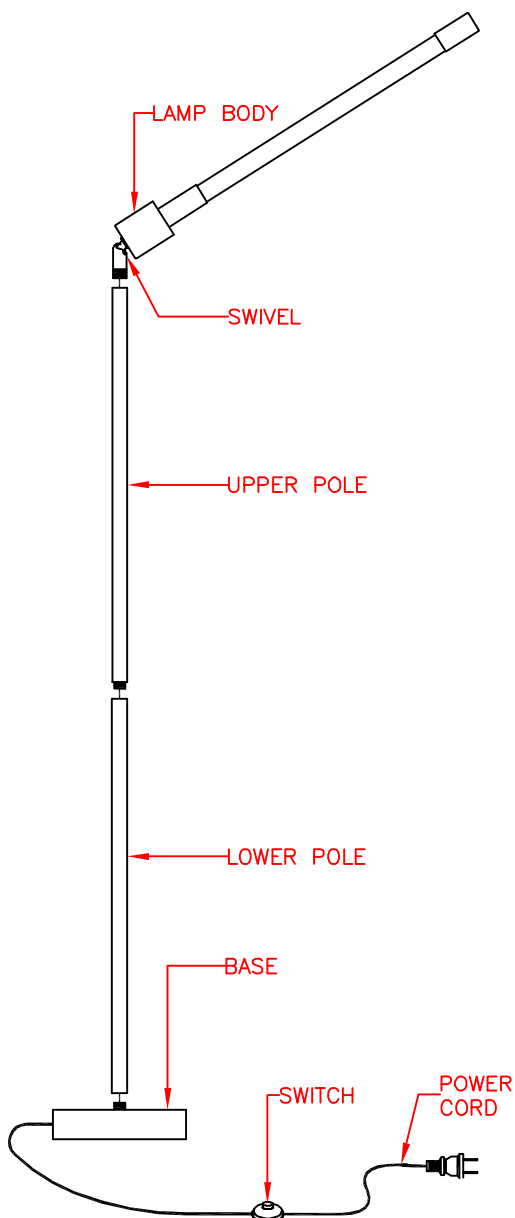
1. SEE SAFETY INSTRUCTIONS AS ABOVE.
2. REMOVE END CAP AND DIFFUSER FROM LAMP BODY BY UNSCREWING THE SCREW.
3. HOLD THE BULB AT BOTH ENDS AND ROTATE UNTIL IT DISENGAGES AND CAN BE REMOVED.
4. INSERT NEW BULB (13 WATT "T5" BULB) BY REVERSING THE PROCESS.

TROUBLE SHOOTING

1. IF YOUR LAMP DOES NOT LIGHT, CHECK PLUG AT THE OUTLET. MAKE SURE THE PLUG IS FULLY AND PROPERLY INSERTED INTO THE POWER OUTLET.
2. IF LAMP STILL DOES NOT LIGHT, UNPLUG FROM OUTLET. CHECK THE BULB. REPLACE BULB IF NECESSARY, PLUG IN LAMP AND TURN IT ON.
3. IF THE LAMP STILL DOES NOT LIGHT, PLEASE CONTACT YOUR DISTRIBUTOR OR PLACE OF PURCHASE.

IMPORTANT SAFETY INSTRUCTIONS

THIS PORTABLE LAMP HAS A POLARIZED PLUG (ONE BLADE IS WIDER THAN THE OTHER) AS A FEATURE TO REDUCE THE RISK OF ELECTRIC SHOCK. THIS PLUG WILL FIT IN A POLARIZED OUTLET ONLY ONE WAY. IF THE PLUG DOES NOT FIT FULLY IN THE OUTLET, REVERSE THE PLUG. IF IT STILL DOES NOT FIT, CONTACT A QUALIFIED ELECTRICIAN. NEVER USE WITH AN EXTENSION CORD UNLESS PLUG CAN BE FULLY INSERTED. DO NOT ALTER THE PLUG.



BULB REPLACEMENT

