

## INSTALLATION INSTRUCTIONS

### READ AND SAVE THESE INSTRUCTIONS

**CAUTION:** TO AVOID POSSIBLE ELECTRIC SHOCK, MAKE SURE THE ELECTRICITY IS SHUT OFF AT THE MAIN PANEL. IF YOU ARE REPLACING AN EXISTING FIXTURE, FIRST TURN THE FIXTURE OFF. NEXT, TURN THE WALL SWITCH OFF. FINALLY, GO TO THE MAIN FUSE OR BREAKER BOX IN YOUR HOME. TURN THE FUSE OR BREAKER TO THE OFF POSITION. SOME TYPES OF FUSES MUST BE UNSCREWED TO SHUT OFF THE POWER.

\* ALL WIRING MUST BE DONE IN ACCORDANCE WITH NATIONAL AND LOCAL ELECTRIC CODES.

\*\* IF YOU DO NOT HAVE ELECTRICAL WIRING EXPERIENCE, HAVE YOUR FIXTURE INSTALLED BY A QUALIFIED LICENSED ELECTRICIAN.

\*\*\* THIS FIXTURE IS TO BE MOUNTED TO A UL LISTED OUTLET BOX CAPABLE OF SUPPORTING THE WEIGHT OF THIS FIXTURE. THE OUTLET BOX MUST BE DIRECTLY SUPPORTED BY THE BUILDING STRUCTURE.

**TOOLS:** YOU WILL NEED THE FOLLOWING TOOLS OR EQUIPMENT: LADDER, SCREWDRIVER, PLIERS, ADJUSTABLE WRENCH.

### UNPACK THE FIXTURE

YOU SHOULD HAVE RECEIVED THE FOLLOWING: CEILING PAN ASSEMBLY, EXTRA GLASS SHADE, BULB, FACE PLATE AND (2) FINIALS. TO PROTECT THE FINISH, PLACE ALL PARTS ON A SOFT SURFACE.

### MOUNTING HARDWARE PACK:

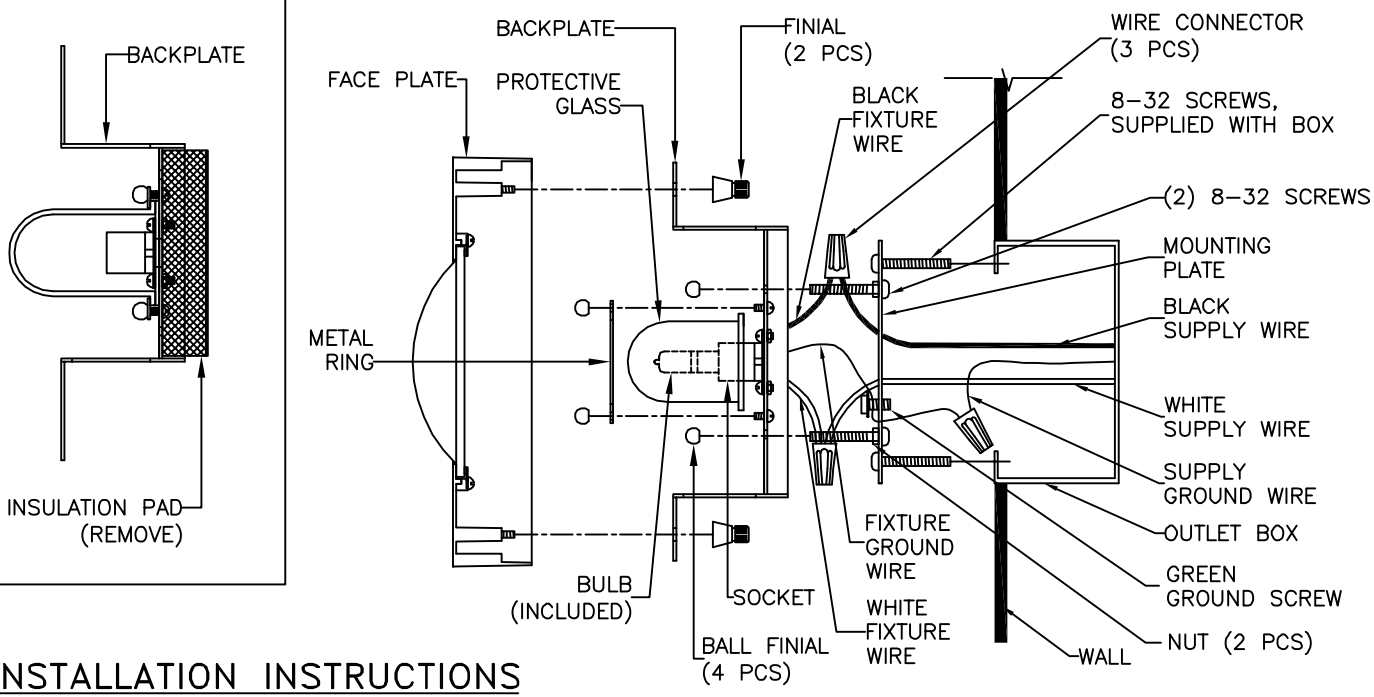
MOUNTING PLATE, (4) 8-32 SCREWS, (3) WIRE CONNECTORS, GREEN GROUND SCREW AND (2) BALL FINIALS.

**NOTE:** \*THIS ITEM HAVE UL FOR DAMP LOCATION AS FLUSHMOUNT, AND HAVE UL FOR WET LOCATION AS WALL MOUNT. \*\*THIS FIXTURE CAN BE MOUNTED TO WALL OR CEILING. IF MOUNTING TO CEILING, PROCEED TO INSTRUCTIONS BELOW, IF MOUNTING TO WALL PROCEED TO NEXT PAGE.

### INSTALL THE FIXTURE

1. REMOVE THE PROTECTIVE GLASS FROM CEILING PAN ASSEMBLY BY UNSCREW (2) BALL FINIALS.
2. SCREW (2) 8-32 SCREWS INTO THE MOUNTING PLATE, MAKING SURE THAT THEY LINE UP WITH THE HOLES IN THE CEILING PAN. ATTACH THE MOUNTING PLATE TO THE CEILING OUTLET BOX USING THE TWO SCREWS PROVIDED WITH THE OUTLET BOX. (NOTE: IF THE SCREWS WITH THE OUTLET BOX ARE TOO SHORT, USE THE (2) 8-32 X 1-1/4" SCREWS PROVIDED IN THE MOUNTING HARDWARE PACKAGE).
3. CONNECT THE WHITE OR RIBBED FIXTURE WIRE TO THE WHITE SUPPLY WIRE IN THE OUTLET BOX USING THE TWIST-ON WIRE CONNECTORS PROVIDED. CONNECT THE BLACK OR SMOOTH FIXTURE WIRE TO THE BLACK SUPPLY WIRE IN THE SAME MANNER. INSTALL THE FIXTURE GROUND WIRE UNDER THE GREEN GROUND SCREW ON THE MOUNTING PLATE THEN CONNECT THE FIXTURE GROUND WIRE TO THE SUPPLY GROUND WIRE IN THE OUTLET BOX USING THE TWIST-ON WIRE CONNECTOR PROVIDED.
4. TUCK THE WIRES CAREFULLY INSIDE THE OUTLET BOX. SPREAD THE ELECTRICAL SPLICES SO THAT THE BLACK WIRES ARE ON ONE SIDE OF THE OUTLET BOX AND THE WHITE WIRES ARE ON THE OTHER SIDE.
5. RAISE THE CEILING PAN ASSEMBLY TO THE CEILING AND SECURE IN PLACE WITH (2) BALL FINIALS.
6. INSTALL A 75 WATT MAX. JDE11 BASE TYPE "T" BULB (INCLUDED) INTO SOCKET. (DO NOT TOUCH BULB DIRECTLY WITH FINGERS.)
7. SECURE THE PROTECTIVE GLASS TO BOTTOM OF CEILING PAN ASSEMBLY WITH METAL RING AND (2) BALL FINIALS.
8. RAISE THE FACE PLATE TO BOTTOM OF CEILING PAN AND SECURE WITH (2) FINIALS.
9. RESTORE POWER, YOUR NEW FIXTURE IS NOW READY TO USE.





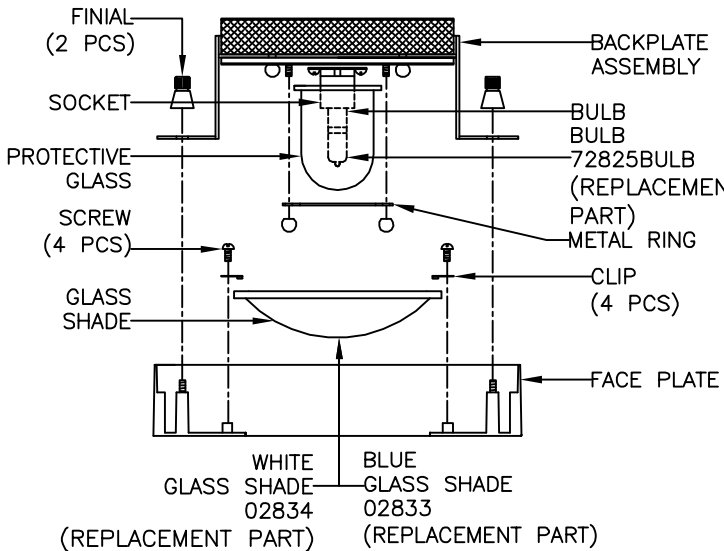
**INSTALLATION INSTRUCTIONS**  
**READ AND SAVE THESE INSTRUCTIONS**

**NOTE:**  
**\*THIS ITEM HAVE UL FOR DAMP LOCATION AS FLUSHMOUNT, AND HAVE UL FOR WET LOCATION AS WALL MOUNT.**  
**\*\*THIS FIXTURE CAN BE MOUNTED TO WALL OR CEILING. IF MOUNTING TO CEILING, PROCEED TO INSTRUCTIONS BELOW. IF MOUNTING TO WALL PROCEED TO NEXT PAGE.**

**INSTALL THE FIXTURE**

1. REMOVE THE INSULATION PAD FROM BACKPLATE AND REMOVE THE PROTECTIVE GLASS FROM BACKPLATE ASSEMBLY BY UNSCREW (2) BALL FINIALS.
2. INSERT (2) 8-32 SCREWS INTO MOUNTING PLATE TO LINE UP WITH HOLES IN BACKPLATE. ATTACH MOUNTING PLATE TO OUTLET BOX USING TWO SCREWS PROVIDED WITH THE OUTLET BOX. (NOTE: IF THE SCREWS WITH THE OUTLET BOX ARE TOO SHORT, USE THE (2) 8-32 x 1-1/4" SCREWS PROVIDED IN THE MOUNTING HARDWARE PACKAGE).
3. CONNECT THE WHITE OR RIBBED FIXTURE WIRE TO THE WHITE SUPPLY WIRE IN THE OUTLET BOX USING THE TWIST-ON WIRE CONNECTOR PROVIDED. CONNECT THE BLACK OR SMOOTH FIXTURE WIRE TO THE BLACK SUPPLY WIRE IN THE SAME MANNER. INSTALL THE FIXTURE GROUND WIRE UNDER THE GREEN GROUND SCREW ON THE MOUNTING PLATE THEN CONNECT THE FIXTURE GROUND WIRE TO THE SUPPLY GROUND WIRE IN THE OUTLET BOX USING THE TWIST-ON WIRE CONNECTOR PROVIDED.
4. TUCK THE WIRES CAREFULLY INSIDE THE OUTLET BOX. SPREAD THE ELECTRICAL SPLICES SO THAT THE BLACK WIRES ARE ON ONE SIDE OF THE OUTLET BOX AND THE WHITE WIRES ARE ON THE OTHER SIDE.
5. RAISE THE BACKPLATE ASSEMBLY TO THE WALL AND SECURE IN PLACE WITH (2) BALL FINIALS.
6. INSTALL A 75 WATT MAX. JDE11 BASE TYPE "T" BULB (INCLUDED) INTO SOCKET. (DO NOT TOUCH BULB DIRECTLY WITH FINGERS.)
7. SECURE THE PROTECTIVE GLASS TO THE BACKPLATE ASSEMBLY WITH METAL RING AND (2) BALL FINIALS.
8. RAISE THE FACE PLATE TO BACKPLATE ASSEMBLY AND SECURE WITH (2) FINIALS.
9. RESTORE POWER, YOUR NEW FIXTURE IS NOW READY TO USE.

AVAILABLE PARTS ARE:  
 72825BULB (BULB)  
 02834 (WHITE GLASS SHADE)  
 02833 (BLUE GLASS SHADE)



**BULB REPLACEMENT**

1. BEFORE REPLACING THE BULB, BE SURE THAT THE PROTECTIVE GLASS AND BULB ARE COOL AND THE ELECTRICITY IS SHUT OFF AT THE MAIN PANEL.
2. DISASSEMBLE THE FIXTURE AS NEEDED AND UNSCREW EXISTING BULB FROM SOCKET, THEN REPLACE WITH A 75 WATT MAX. JDE11 BASE TYPE "T" BULB. REASSEMBLE THE FIXTURE.
3. DO NOT TOUCH BULB DIRECTLY WITH FINGERS.

**GLASS SHADE REPLACEMENT**

1. BEFORE REPLACING THE GLASS SHADE, BE SURE THAT THE GLASS SHADE IS COOL AND THE ELECTRICITY IS SHUT OFF AT THE MAIN PANEL.
2. DISASSEMBLE THE FIXTURE AS NEEDED AND REPLACE WITH THE OTHER GLASS SHADE (INCLUDED). REASSEMBLE THE FIXTURE.

