

PRODUCT SPECIFICATIONS

OVERALL ASSEMBLED DIMENSIONS

HEIGHT- 146 CM (57-1/2"), DIA.- 48.3 CM (19")

1 LIGHT: UL LISTED, 100 WATT, MEDIUM BASE E-26 ALUMINIUM SOCKET. PULL CHAIN SWITCH.

SHADE: LINEN FABRIC, 35.6 CM (14") TOP DIA. x 40.6 CM (16") BOTTOM DIA. x 25.4 CM (10") SLANT HEIGHT.

POLE: PLATED STEEL, 1.6 CM (5/8") DIA. x 48.3 CM (19") LONG.

BASE: PLATED STEEL, (3) TUBES WELDING UNDER A STEEL PLATE, PLATE- 4MM THICK, 6 CM (2 3/8") DIA. TUBES- 1.6 CM (5/8") DIA. OUT THREADS ON END, SHAPED AS SHOWN.

LEGS: PLATED CASTING STEEL, 3.8 CM (1 1/2") DIA (TOP). TAPERING 1.9 CM (3/4") DIA. A RUBBER END UNDER BOTTOM.

CORD: UL LISTED, MIN 183 CM (6 FT.) LENGTH, 18 AWG., 2 CONDUCTORS, TYPE SPT-2, 105°C, CLEAR/SILVER. WIRES MUST BE LEAD FREE.

LABELS: UL AND CSA OR CUL, MANUFACTURING DATE, MODEL # AND COUNTRY OF ORIGIN LABEL PROVIDED. RELAMPING LABEL FOR 100 WATT MAX. TYPE "A" BULB PROVIDED ON SOCKET.

PACKAGING AND SHIPPING DETAILS

THE LAMP AND SHADE ARE CAREFULLY WRAPPED IN A PLASTIC BAG AND PLACED IN THE INNER PACKING SO THEY CAN NOT MOVE DURING SHIPPING. A SMALL BAG OF SILICA IS PACKED WITH THE PARTS.

THE CARTON IS MADE OF DOUBLE WALL, CORRUGATED CARDBOARD "A MA A". BROWN IN COLOR. THE INNER PACKING IS DIE-CUT CARDBOARD OR STYROFOAM TO PROTECT AND SECURE THE LAMP AND MUST PASS THE SPECIFIED DROP TEST REQUIREMENTS.

EACH CARTON SHALL BE PRINTED WITH A LINE DRAWING AND THE KENROY HOME NAME AND LOGO, MODEL NUMBER, SKU NUMBER AND FINISH, EACH CARTON SHALL BE PROVIDED A UPC LABEL. THE UPC BAR CODE AS FOLLOWS: CH=053392161996.

OTHER DETAILS

MODEL 30510CH INSTRUCTIONS ARE TO BE PACKED WITH EACH LAMP. INSTRUCTIONS MUST BE PRINTED CLEARLY ON QUALITY PAPER.

ALL VISIBLE PARTS, EXCEPT SHADE, MUST MATCH LAMP FINISH UNLESS OTHERWISE SPECIFIED.

ALL BAGS MUST BE LABELED WITH OFFICIAL "THIS BAG IS NOT A TOY" STATEMENT.

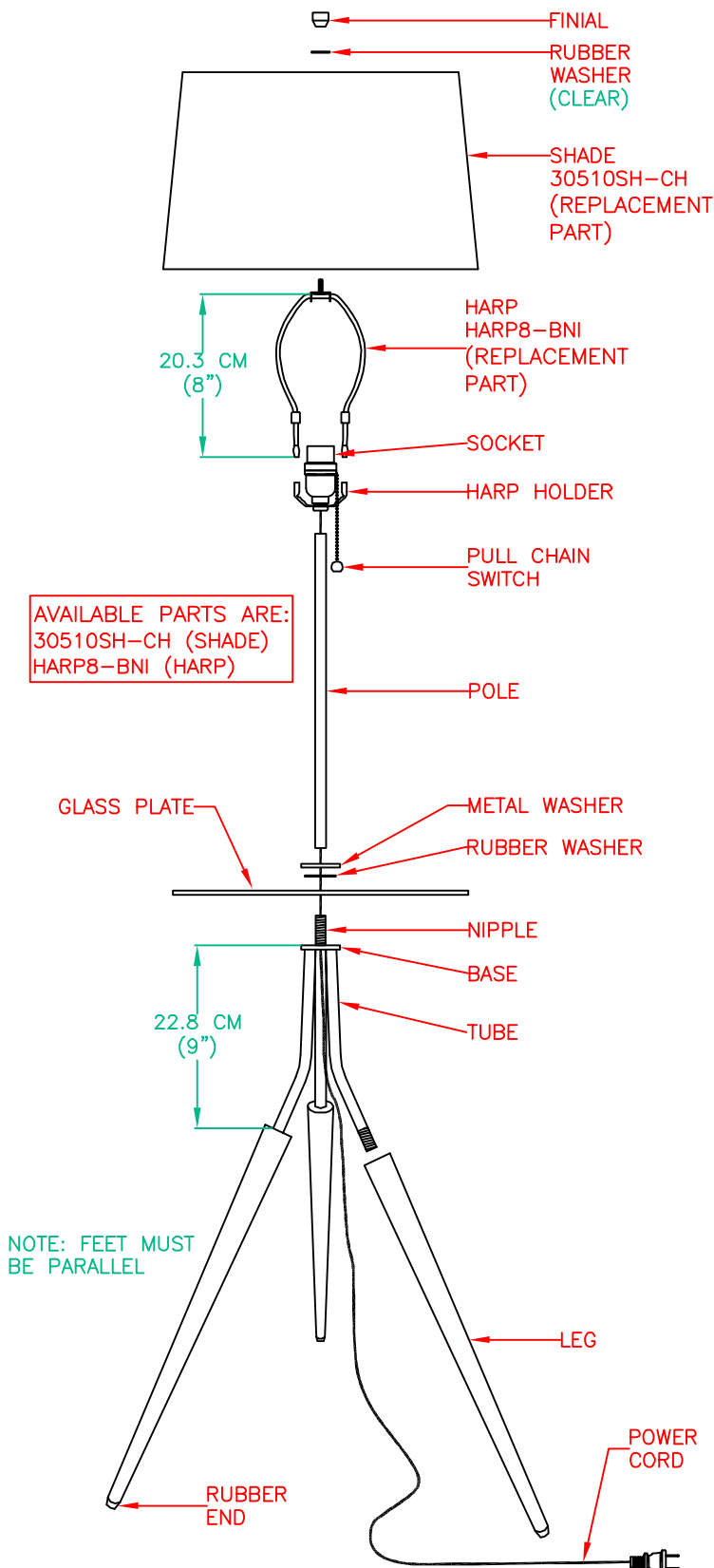
LAMP MUST REST FLAT ON SURFACE AND NOT ROCK. LAMP MUST PASS AN 8° TILT TEST

ASSEMBLY TIME: 10 MINUTES.

THE UL NUMBER IS E69325.

DIMS OF BOX: 48.3 CM (19") LENGTH x 48.3 CM (19") WIDTH x 35.9 CM (14-1/8") HEIGHT.

NET WEIGHT: 9.7 LBS. GROSS WEIGHT: 13.8 LBS.



**KENROY
HOME**

11660 CENTRAL PARKWAY
JACKSONVILLE, FL. 32224
PHONE: 904-642-4340
FAX: 904-642-4150

THIS DOCUMENT AND THE INFORMATION THAT IT DISCLOSES IS THE EXCLUSIVE PROPERTY OF KENROY HOME. ANY REPRODUCTION OR USE OF THIS DRAWING IN PART OR IN WHOLE, WITHOUT THE EXPRESS CONSENT OF THE PROPRIETOR IS PROHIBITED. © 2000 KENROY HOME.

DATE: 10/25/02

SCALE: NONE

DRAWN BY: BCY

REFERENCE: ROSIE FLOOR LAMP

APPROVAL:

REVISION DATE:

6/05/08 add parts NO.

REVISION DATE:

5/13/09 change total height

REVISION DATE:

10/14/09 add rubber washer

REVISION DATE:

MODEL #:

30510

FINISHES:

CH

PAGE:

1

OF:

1