

## PRODUCT SPECIFICATIONS

- OVERALL ASSEMBLED DIMENSIONS**  
HEIGHT: 105 CM (41-3/8"), WIDTH: 52.1 CM (20-1/2") SQ.
- PUMP:** MODEL: UL-900L, 12 V. SUBMERSIBLE FOUNTAIN PUMP.
- TRANSFORMER:** UL LISTED FOR WET LOCATION. INPUT: 120 V, OUTPUT: 12 V.
- 2 LIGHTS:** 12 V. 10 WATT, JC SUBMERSIBLE HALOGEN BULB. (2) EXTRA BULBS ARE INCLUDED.
- COLUMN:** PAINTED RESIN, 23 CM (9") DIA. x 18 CM (7") HEIGHT. SHAPED AS SHOWN.
- RESERVOIR:** PAINTED RESIN (COPPER FINISH), 52 CM (20-1/2") x 21.5 CM (8-1/2") HEIGHT.
- LEGS:** PAINTED RESIN, UPPER LEGS: 31 CM (12-1/4") DIA. x 38 CM (15") HEIGHT, LOWER LEGS: 40 CM (15-3/4") DIA. x 40 CM (15-3/4") HEIGHT, SHAPED AS SHOWN.
- CORD:** UL LISTED, FROM PUMP TO CONNECTOR: MIN. 200 CM (6-1/2') LENGTH, FROM TRANSFORMER TO PLUG: MIN. 183 CM (6') LENGTH, BLACK COLOR, WIRES MUST BE LEAD FREE.
- LABELS:** MANUFACTURING DATE, MODEL # AND COUNTRY OF ORIGIN LABEL PROVIDED.

### PACKAGING AND SHIPPING DETAILS

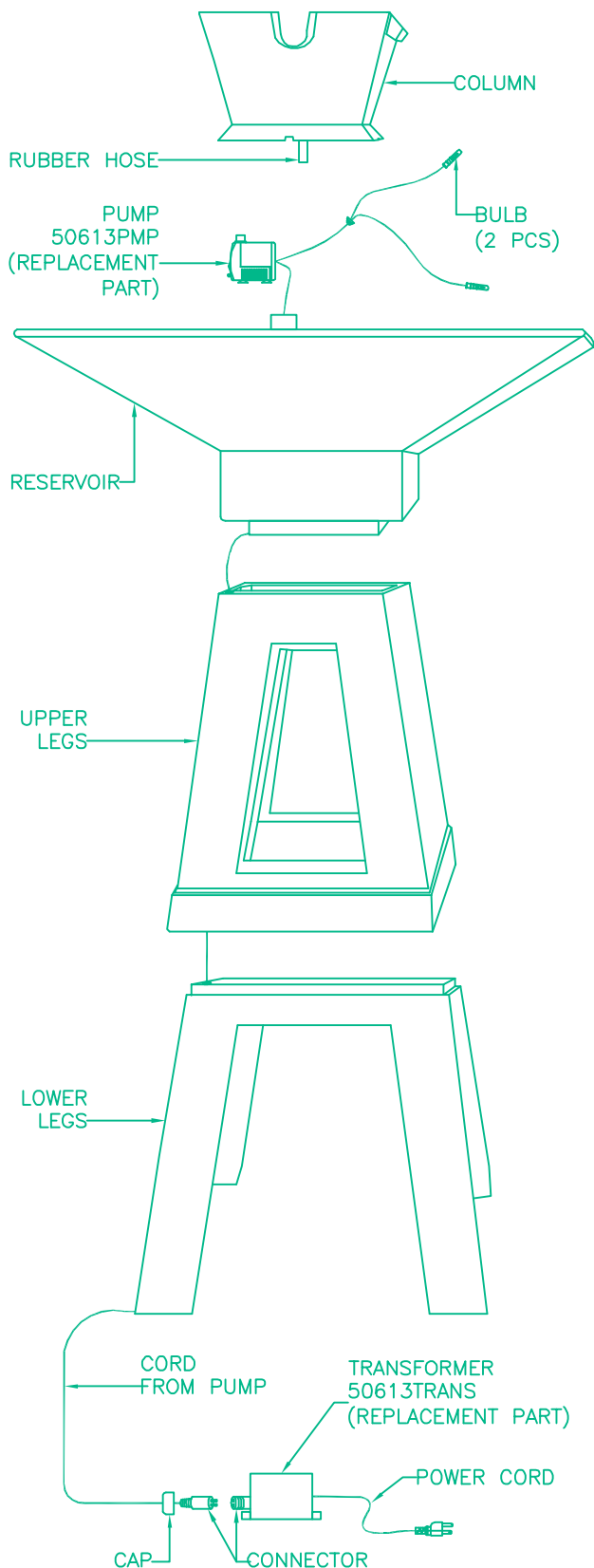
- THE FOUNTAIN AND PUMP ARE CAREFULLY WRAPPED IN A PLASTIC BAG AND PLACED SECURELY IN THE INNER PACKING SO THEY CAN NOT MOVE DURING SHIPPING.
- THE CARTON IS MADE OF DOUBLE WALL CORRUGATED CARDBOARD "A MA A". BROWN IN COLOR. THE INNER PACKING IS DIE-CUT CARDBOARD AND/OR STYROFOAM SUFFICIENT TO PROTECT AND SECURE THE FOUNTAIN AND MUST PASS THE FEDEX DROP TEST REQUIREMENTS.
- EACH CARTON SHALL BE PRINTED WITH A LINE DRAWING AND THE KENROY HOME NAME AND LOGO, MODEL NUMBER, SKU NUMBER AND FINISH, EACH CARTON SHALL BE PROVIDED A UPC LABEL. THE UPC BAR CODE AS FOLLOWS: CPBZ=053392103811.

### OTHER DETAILS

- MODEL 50613CPBZ INSTRUCTIONS ARE TO BE PACKED WITH EACH FOUNTAIN. INSTRUCTIONS MUST BE PRINTED CLEARLY ON QUALITY PAPER.
- RIDGES ON UPPER COLUMN NEED TO LINE UP THE RIDGES ON RESERVOIR AFTER ASSEMBLED.
- ALL VISIBLE PARTS MUST MATCH FOUNTAIN FINISH UNLESS OTHERWISE SPECIFIED.
- ALL BAGS MUST BE LABELED WITH OFFICIAL "THIS BAG IS NOT A TOY" STATEMENT.
- ASSEMBLY TIME: 15 MINUTES.
- DIMS OF BOX: 68.3 CM (26-7/8") LENGTH x 67.3 CM (26-1/2") WIDTH x 59 CM (23-1/4") HEIGHT.
- NET WEIGHT: 36.3 LBS. GROSS WEIGHT: 42.9 LBS.

#### AVAILABLE PARTS ARE:

50613PMP (PUMP)  
50613TRANS (TRANSFORMER)



**KENROY  
HOME**

11660 CENTRAL PARKWAY  
JACKSONVILLE, FL. 32224  
PHONE: 904-642-4340  
FAX: 904-642-4150

THIS DOCUMENT AND THE INFORMATION THAT IT DISCLOSES IS THE EXCLUSIVE PROPERTY OF KENROY HOME. ANY REPRODUCTION OR USE OF THIS DRAWING IN PART OR IN WHOLE, WITHOUT THE EXPRESS CONSENT OF THE PROPRIETOR IS PROHIBITED. © 2009 KENROY HOME.

DATE: 4/16/2009

SCALE: NONE

DRAWN BY: JAMES

REFERENCE:  
KENEI OUTDOOR FLOOR FOUNTAIN

APPROVAL:

REVISION DATE:

REVISION DATE:

REVISION DATE:

REVISION DATE:

MODEL #:

50613

FINISHES:

CPBZ

PAGE: 1 OF 1