

MODEL: 53260BP

ASSEMBLY INSTRUCTIONS

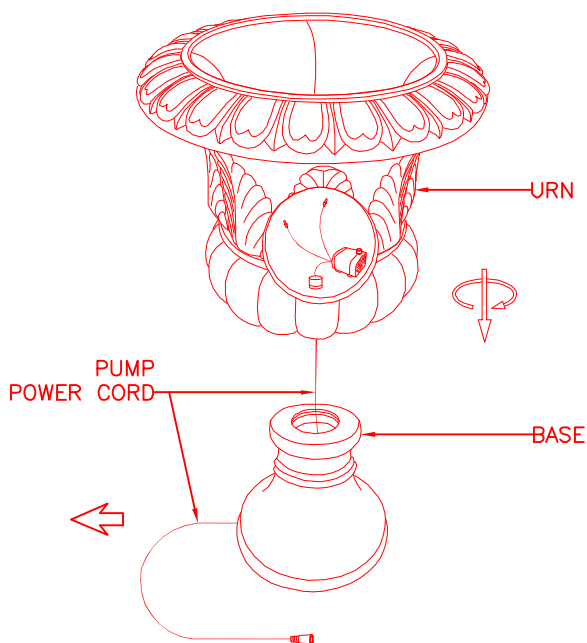
READ AND SAVE THESE INSTRUCTIONS

UNPACK THE FOUNTAIN

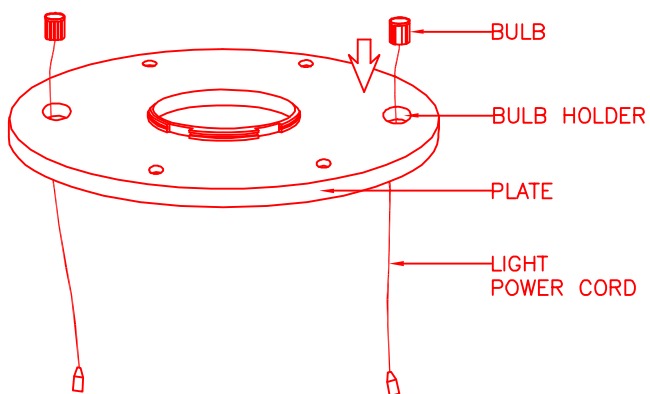
YOU SHOULD HAVE RECEIVED THE FOLLOWING PARTS:
CROWN, COLUMN, PLATE, (2) LIGHTS, URN, PUMP, BASE
AND TRANSFORMER.

FOUNTAIN ASSEMBLY

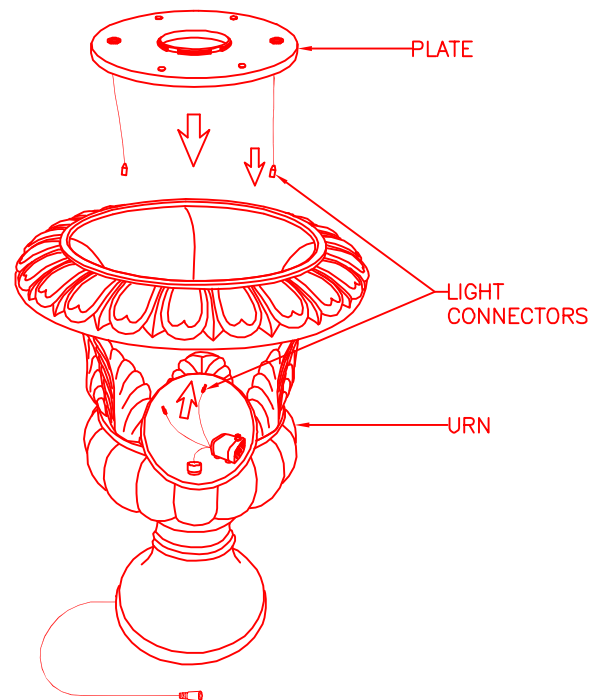
1. FEED THE PUMP POWER CORD DOWN THROUGH HOLE IN BASE, MAKE SURE PUMP POWER CORD EXITS THROUGH NOTCH IN BOTTOM OF BASE, THEN SECURE URN TO TOP OF THE BASE BY ROTATING URN CLOCKWISE.



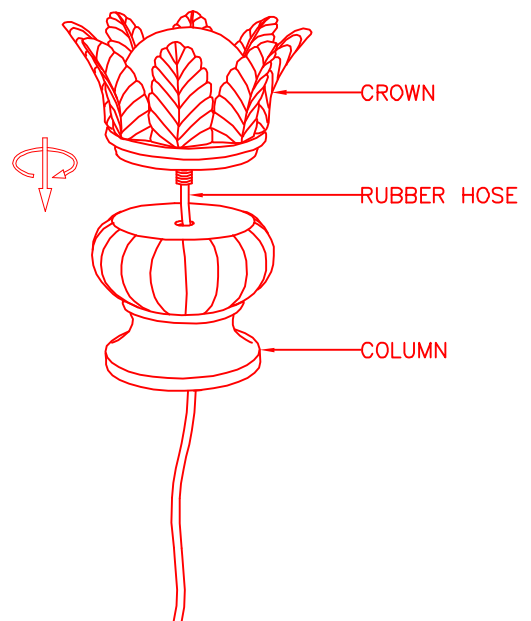
2. FEED THE LIGHT POWER CORDS DOWN THROUGH THE BULB HOLDERS, THEN INSERT BULBS INTO BULB HOLDERS.



3. JOIN THE LIGHT CONNECTORS TOGETHER AND PLACE PLATE INTO URN.



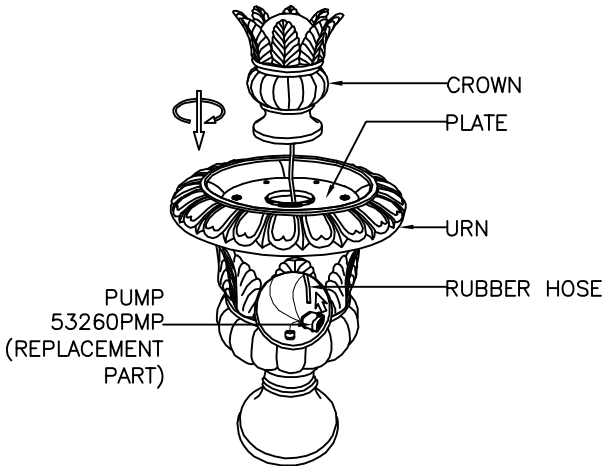
4. FEED RUBBER HOSE DOWN THROUGH THE HOLE IN COLUMN AND SECURE CROWN TO TOP OF COLUMN BY ROTATING CROWN CLOCKWISE.



MODEL: 53260BP
ASSEMBLY INSTRUCTIONS
READ AND SAVE THESE INSTRUCTIONS

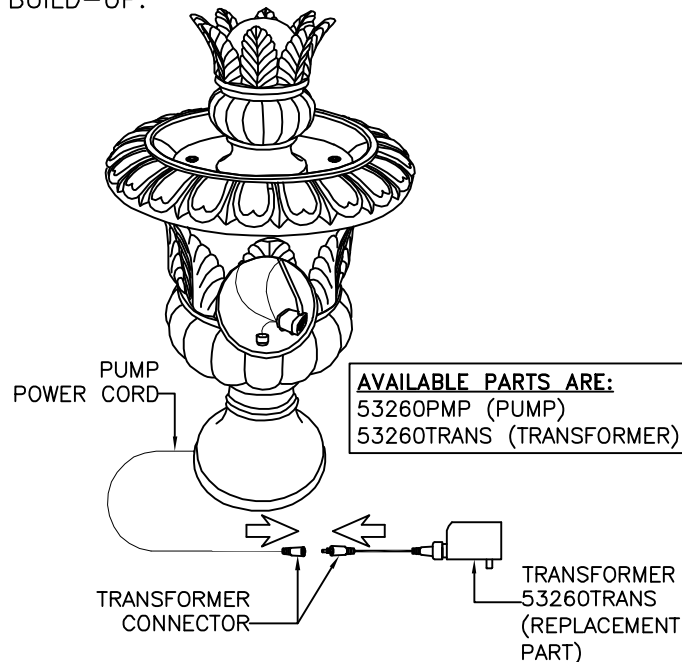
FOUNTAIN ASSEMBLY

5. ATTACH PUMP TO RUBBER HOSE, THEN SECURE CROWN TO TOP OF PLATE BY ROTATING CROWN CLOCKWISE. MAKE SURE THE PUMP SITS FLAT IN URN.



6. FILL URN WITH 5.3 GALLONS OF WATER TO COMPLETELY SUBMERSE THE PUMP.

NOTE: DISTILLED WATER IS RECOMMENDED TO REDUCE MINERAL DEPOSITS AND BACTERIA BUILD-UP.



7. JOIN THE TRANSFORMER CONNECTORS TOGETHER.

8. PLUG TRANSFORMER INTO OUTLET, YOUR NEW FOUNTAIN IS READY FOR USE.

TROUBLE SHOOTING:

1. IF YOUR FOUNTAIN DOES NOT WORK, CHECK PLUG AT THE SOCKET. MAKE SURE THE PLUG IS FULLY AND PROPERLY INSERTED INTO THE WALL OUTLET.
2. NEXT CHECK TO MAKE SURE THE OUTLET IS POWERED.
3. IF THE FOUNTAIN STILL DOES NOT WORK, PLEASE CONTACT YOUR DISTRIBUTOR OR PLACE OF PURCHASE.

SPLASHING DISCLAIMER:

SPLASHING MAY OCCUR WHEN FOUNTAIN IS INITIALLY TURNED ON. PROTECT SURROUNDING SURFACES AS NEEDED.

IMPORTANT PUMP INFORMATION:

PUMP MUST BE FULLY SUBMERSED IN WATER WHILE OPERATING.

WATER:

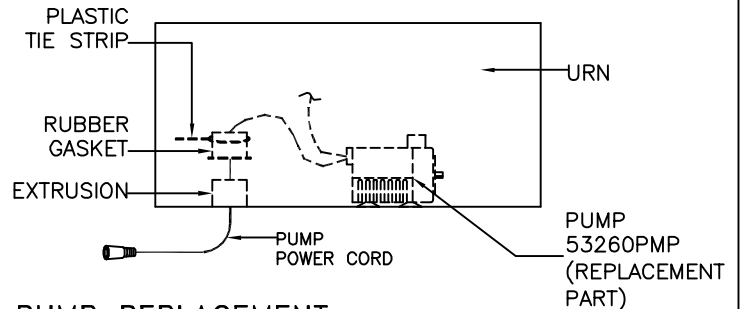
TO REDUCE MINERAL DEPOSITS AND BACTERIA BUILD UP THE USE OF DISTILLED WATER IS RECOMMENDED.

WARNING:

* ONCE A WEEK INSPECT FOUNTAIN, FLOOR AND ADJACENT WALL FOR MOISTURE BUILD-UP AND CLEAN AS NECESSARY. THIS IS ESPECIALLY IMPORTANT FOR HUMID ENVIRONMENTS.

** THIS FOUNTAIN IS RATED FOR INDOOR & OUTDOOR USE.

*** THIS UNIT MUST BE CONNECTED TO A SUPPLY CIRCUIT THAT IS PROTECTED BY A GROUND FAULT CIRCUIT INTERRUPTER (GFCI). THE GFCI SHOULD BE TESTED ON A ROUTINE BASIS. TO TEST THE GFCI, PUSH THE TEST BUTTON. THE GFCI SHOULD INTERRUPT POWER. PUSH THE RESET BUTTON. POWER SHOULD BE RESTORED. IF THE GFCI FAILS TO OPERATE IN THIS MANNER, THE GFCI IS DEFECTIVE.



PUMP REPLACEMENT:

1. UNPLUG THE FOUNTAIN.
2. DISASSEMBLE THE FOUNTAIN AS NECESSARY TO EXPOSE URN.
3. REMOVE ALL WATER FROM URN.
4. SNIP THE PLASTIC TIE STRIP.
5. PEEL BACK RUBBER GASKET FROM EXTRUSION.
6. PULL OLD PUMP FROM FOUNTAIN.
7. THREAD CORD FOR NEW PUMP THROUGH EXTRUSION AS SHOWN.
8. PLACE RUBBER GASKET OVER EXTRUSION AND SECURE BY TIGHTENING A NEW PLASTIC TIE STRIP (INCLUDED).
9. REASSEMBLE THE FOUNTAIN WITH NEW PUMP.