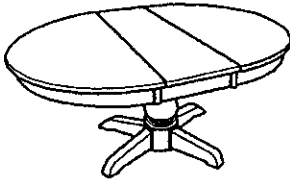



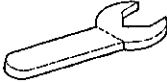


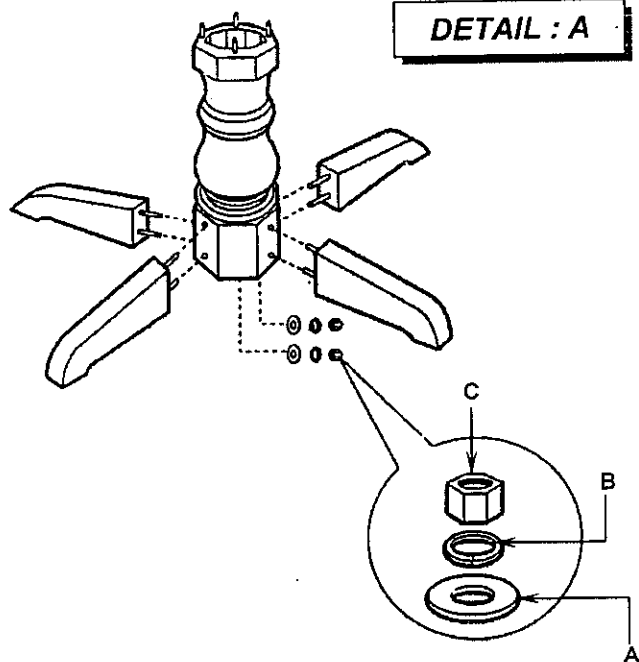
# LIGO PRODUCTS

## Mokena - Illinois

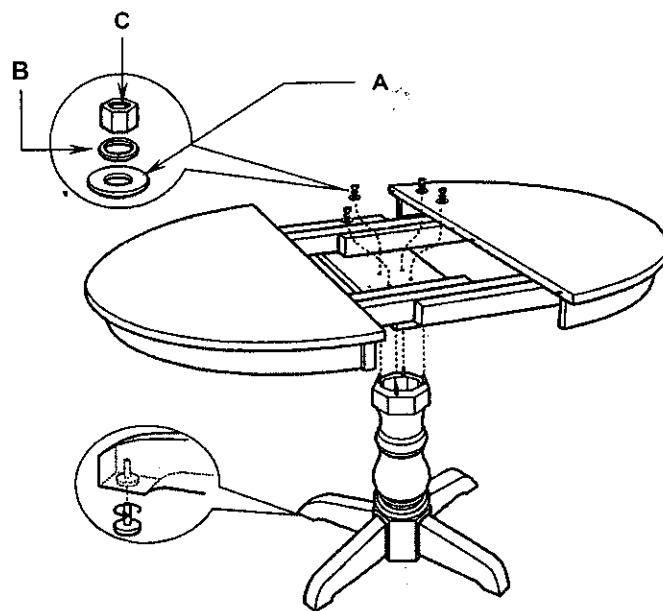
# ASSEMBLY INSTRUCTIONS

## RDT-493

A	B	C	F	
FLAT WASHER 12 PCS.	LOCK WASHER 12 PCS	NUT 12 PCS.	KEY WRENCH 1 PC.	
				

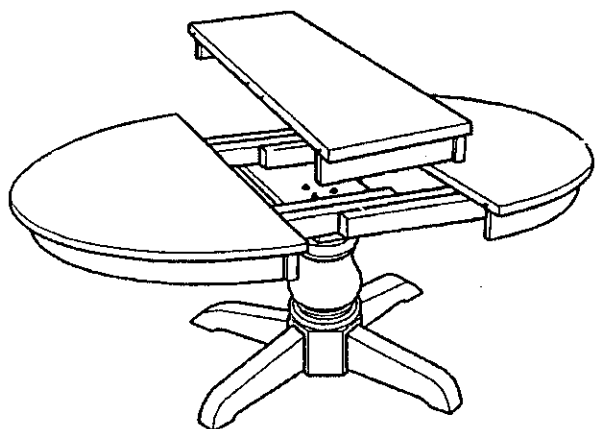


**STEP1:** ATTACH LEGS BY HANGER BOLTS THROUGH PRE-DRILLED HOLES IN PEDESTAL USING FLAT WASHER, LOCK WASHER AND HEX NUT SUPPLIED. TIGHTEN THE HEX NUT USING KEY WRENCH SUPPLIED. TURN THE BASE RIGHT SIDE UP. (SEE DETAIL: A)



**STEP2:** OPEN THE BRASS LOCKS ON THE BOTTOM OF TABLE TOP. REMOVE CENTER LEAF AND ATTACH TABLE TOP AS SHOWN TO THE PEDESTAL THROUGH PRE-DRILLED HOLES IN THE MOUNTING BOARD. USE FLAT WASHER, LOCK WASHER AND HEX NUT SUPPLIED. TIGHTEN HEX NUT USING KEY WRENCH. (SEE DETAIL: B)

**DETAIL : B**



**STEP3:** PUT BACK THE LEAF. CLOSE TABLE TOP AND SECURE THE BRASS LOCKS. ADJUST THE ADJUSTABLE GLIDE TO LEVEL THE TABLE IF NEEDED.