



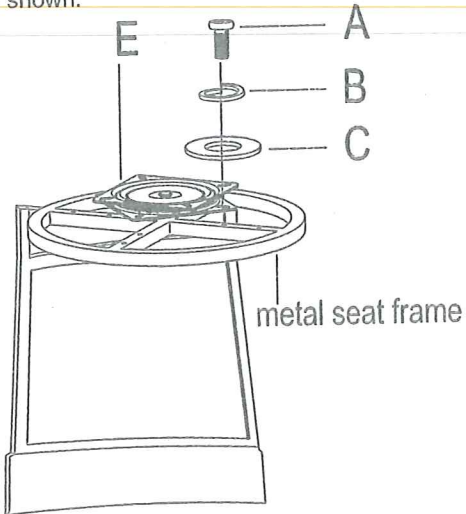
SELECTION MADE SIMPLE.
www.americanheritagebilliards.com

ASSEMBLY INSTRUCTIONS Torrance/Captiva BAR STOOL

LOOSELY ATTACH EACH SCREW UNTIL FRAME IS ASSEMBLED THEN TIGHTEN WHEN COMPLETE

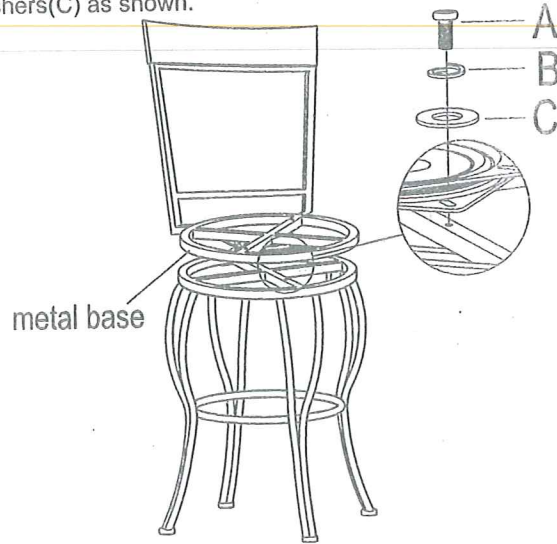
1 STEP:1

1) Attach swivel plate(E) to metal seat frame by using 4pcs Philip head bolts(A), 4pcs Lock washers(B) and 4pcs flat washers(C) as shown.



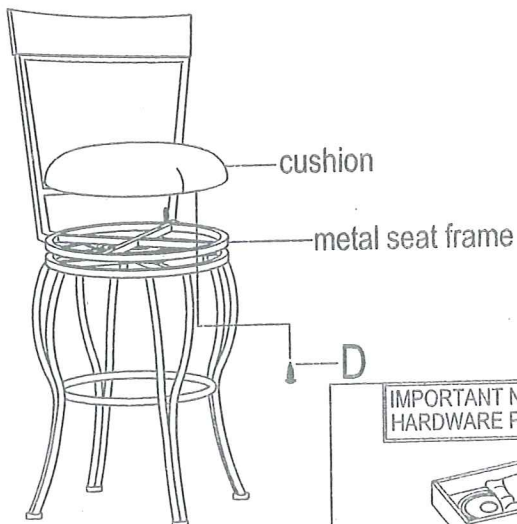
2 STEP:2

2) Attach swivel plate(E) to metal base by using 4pcs Philip head bolts(A), 4pcs Lock washers(B) and 4pcs flat washers(C) as shown.



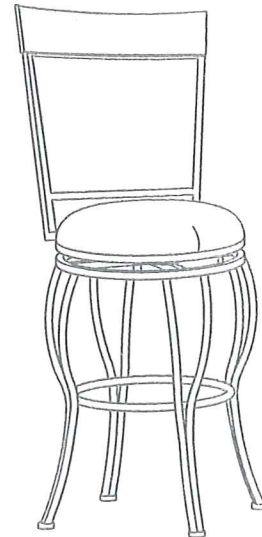
3 STEP:3

3) Attach cushion to metal seat frame by using 4pcs screws(D)



4 STEP:4

4) Assembly is complete



IMPORTANT NOTE:
HARDWARE PACK LOCATON




Hardware Box

HARDWARE PACK

MADE IN CHINA

CHECK THAT THE FOLLOWING PARTS ARE IN CARTON

A 
Philip head bolt
1/4"×15mm 8PCS

B 
LOCK WASHER
1/4" 8PCS

C 
FLAT WASHER
Ø16×1.2mm 8PCS

D 
SCREW
Ø5×30mm 4PCS

E 
SWIVEL PLATE
160×160×24mm 1PC