



SELECTION MADE SIMPLE.  
[www.americanheritagebilliards.com](http://www.americanheritagebilliards.com)

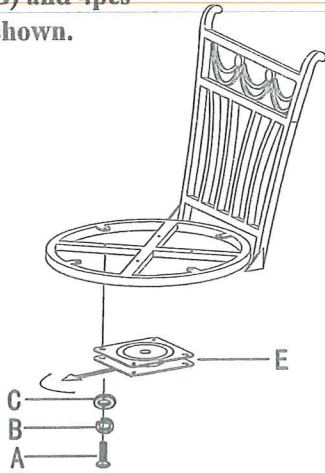
## ASSEMBLY INSTRUCTIONS

### ABELLA STOOL

LOOSELY ATTACH EACH SCREW UNTIL FRAME IS ASSEMBLED THEN TIGHTEN WHEN COMPLETE

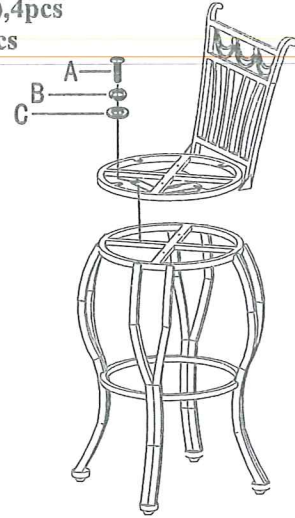
#### 1 STEP: 1

1) Attach swivel plate(E) to "X" crossing on seat frame by using 4pcs cross head bolts(A), 4pcs lock washers(B) and 4pcs flat washers(C) as shown.



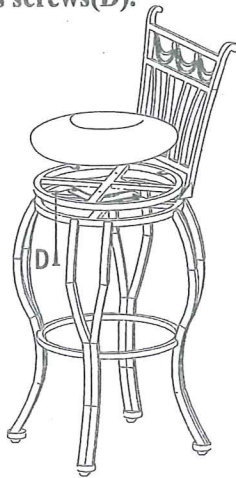
#### 2 STEP: 2

2) Attach swivel plate(E) to chair base by using 4pcs cross head bolts(A), 4pcs lock washers(B) and 4pcs flat washers(C) as shown.



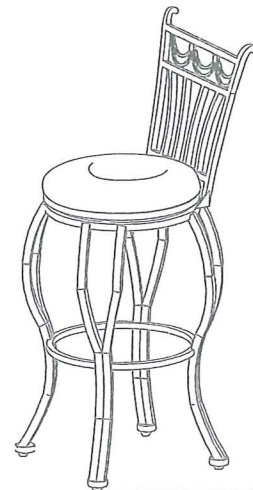
#### 3 STEP: 3

3) Attach cushion to seat frame by using 4pcs screws(D).



#### 4 STEP: 4

4) Assembly is complete.



IMPORTANT NOTE:  
 HARDWARE PACK LOCATON



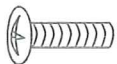
Hardware Box

#### HARDWARE PACK

MADE IN CHINA

CHECK THAT THE FOLLOWING PARTS ARE IN CARTON

A



Cross head bolt  
 1/4"\*5/8"L 8PCS

B



Lock washer  
 1/4" 8PCS

C



Flat washer  
 Ø16mm 8PCS

D



Screw  
 18mm 4PCS

E



Swivel plate  
 1PC