



REV DATE : 8/12/2011

SELECTION MADE SIMPLE.
www.americanheritagebilliards.com

ASSEMBLY INSTRUCTIONS

ESTE HI-DINING TABLE

LOOSELY ATTACH EACH SCREW UNTIL FRAME IS ASSEMBLED THEN TIGHTEN WHEN COMPLETE

1 STEP:1

Table leg

2 STEP:2

UNLOCK HERE

3 STEP:3

4 STEP:4

SNAP BUTTERFLY EDGES INTO PLACE

HARDWARE PACK

MADE IN CHINA

CHECK THAT THE FOLLOWING PARTS ARE IN CARTON

A

Bolt
Dia5/16"X2-1/2"L 8pcs

B

Lock washer
Dia5/16" 8pcs

C

Flat washer
Dia5/16" 8pcs

D

Wrench
1pcs



REV DATE :8/12/2011

SELECTION MADE SIMPLE.
www.americanheritagebilliards.com

ASSEMBLY INSTRUCTIONS

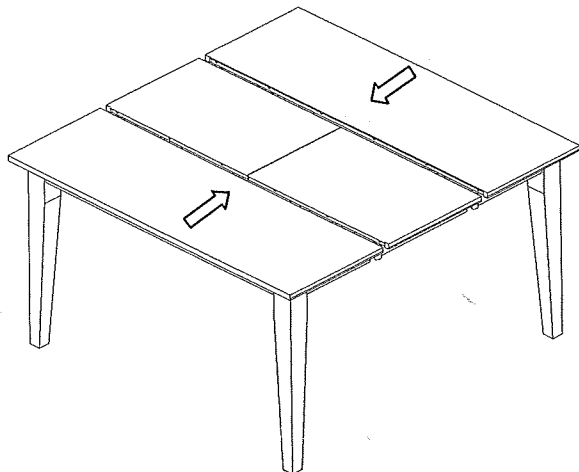
ESTE HI-DINING TABLE

LOOSELY ATTACH EACH SCREW UNTIL FRAME IS ASSEMBLED THEN TIGHTEN WHEN COMPLETE

5

STEP:5

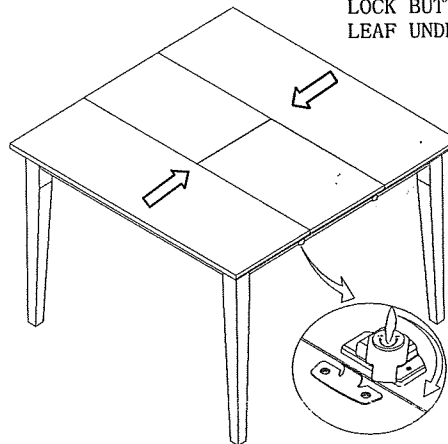
SLIDE OUTER HALVES
OF TABLE TOEGTHER



6

STEP:6

LOCK BUTTERFLY
LEAF UNDERNEATH



1. Place the table top upside down on a smooth and flat surface , attach the four legs to table top by using bolts A , lock washers B , flat washers C and Wrench D .
2. Put the table upright .
3. Unlock the leaf locks underneath the table top and open the table tops Wide enough to make sure the Leaves can be placed .
4. Open the apron on leaves, then set the leaves in , push the table tops tightly together and lock the leaf locks again .
5. Slide outer halves of table together.
6. Lock butterfly leaf underneath .

Assembly is complete now .

Thanks for your purchase !