



REV DATE : 08/22/2011

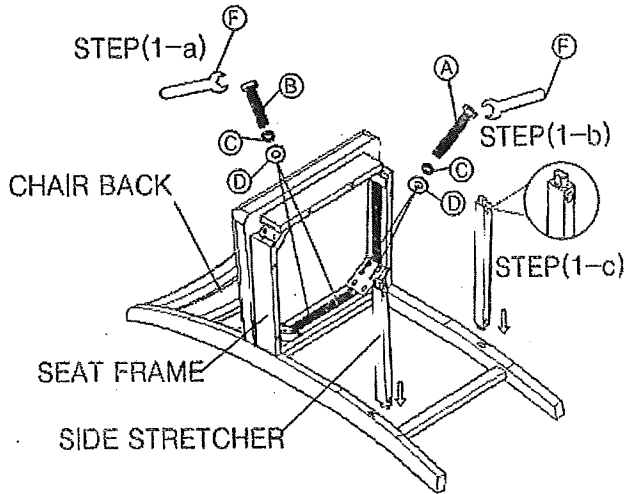
SELECTION MADE SIMPLE.
www.americanheritagebilliards.com

ASSEMBLY INSTRUCTIONS

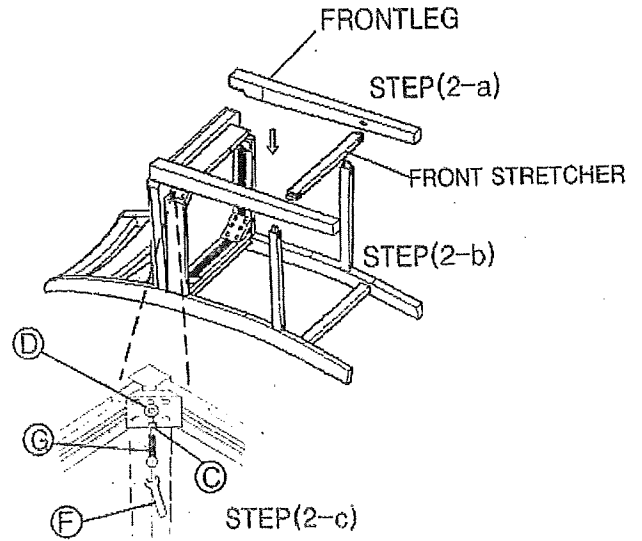
SALMA STOOL

LOOSELY ATTACH EACH SCREW UNTIL FRAME IS ASSEMBLED THEN TIGHTEN WHEN COMPLETE

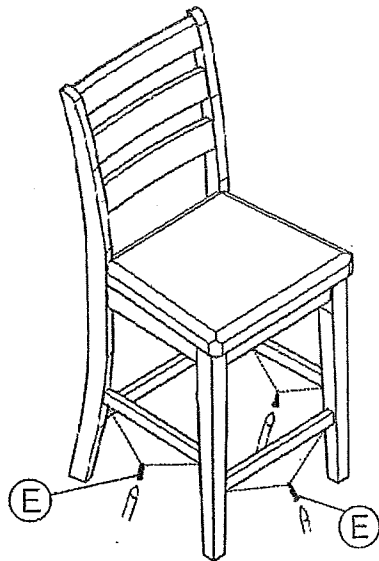
1 STEP:1



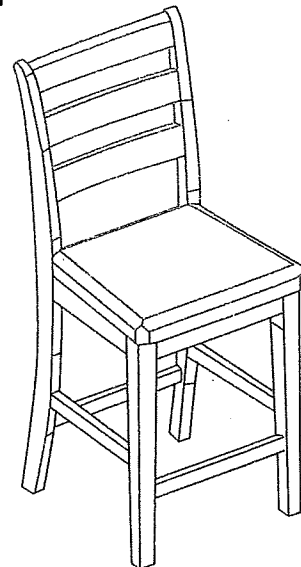
2 STEP:2



3 STEP:3



4 STEP:4



A	Hardware	BOLT (Dia5/16" X3"L)	4pcs
B		BOLT (Dia5/16" X1-1/2"L)	2pcs
C		LOCK WASHER (Dia5/16")	10pcs
D		FLAT WASHER (Dia5/16")	10pcs
E		SCREW (Dia3/16" X 1-1/2"L)	6pcs
F		Wrench	1pcs
G		BOLT (Dia5/16" X2"L)	4pcs



SELECTION MADE SIMPLE.

www.americanheritagebilliards.com

ASSEMBLY INSTRUCTIONS

SALMA STOOL

LOOSELY ATTACH EACH SCREW UNTIL FRAME IS ASSEMBLED THEN TIGHTEN WHEN COMPLETE

1-a. Lay the chair back on on a smooth and flat surface , attach seat frame to chair back rail by using bolts B , lock washers C , flat washers D and wrench F .Do not tighten yet .

1-b.Attach the corner blocks of seat frame to chair back legs by using bolts A, lock washers C, flat washers D and wrench F . Do not tighten yet .

1-c. Insert the side stretchers into the holes on the chair back legs .

2-a. Insert the front stretcher into the holes on the front legs as shown in the diagram .

2-b. Insert the side stretchers into the holes on the front leg assembly .

2-c. Attach the front leg assembly to seat frame by using bolts G , lock washers C , flat washers D and wrench F . Tighten all bolts now .

3. Place the chair upright , secure the side stretchers and front stretcher using screws E .

4. Assembly is complete now .

Thanks for your purchase !