



REV Date: 7 / 1 / 2009

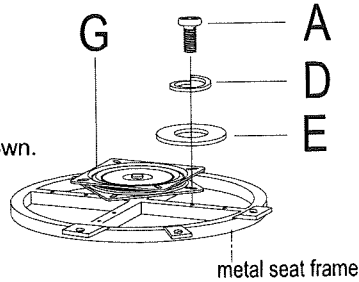
SELECTION MADE SIMPLE.  
www.americanheritagebilliards.com

# ASSEMBLY INSTRUCTIONS SKYLINE BAR STOOL

LOOSELY ATTACH EACH SCREW UNTIL FRAME IS ASSEMBLED THEN TIGHTEN WHEN COMPLETE

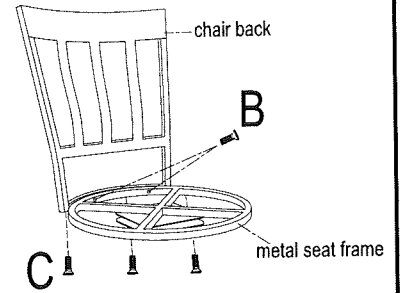
## 1 STEP:1

1) Attach swivel plate(G) to metal seat frame by using 4pcs Philip head bolts(A), 4pcs Lock washers(D) and 4pcs flat washers(E) as shown.



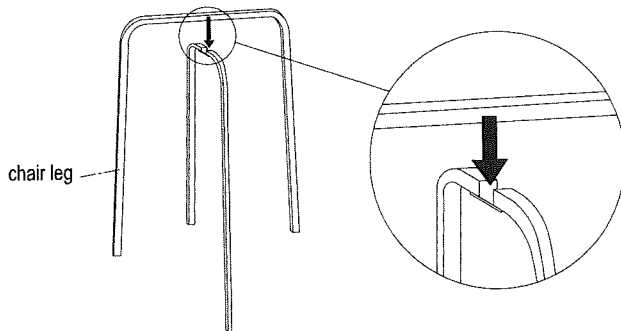
## 2 STEP:2

2) Attach chair back to metal seat frame by using 2pcs bolts(B) and 3pcs bolts(C) as shown



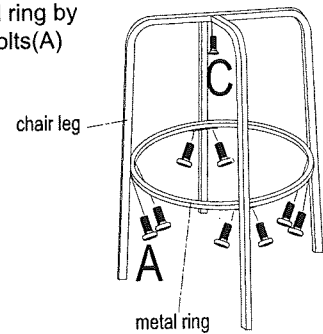
## 3 STEP:3

3) Attach chair legs as shown.



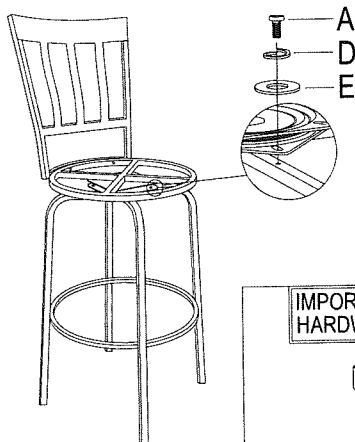
## 4 STEP:4

4) Attach chair legs by using bolt(C). Attach chair legs to metal ring by using 8pcs Philip Head bolts(A) as shown



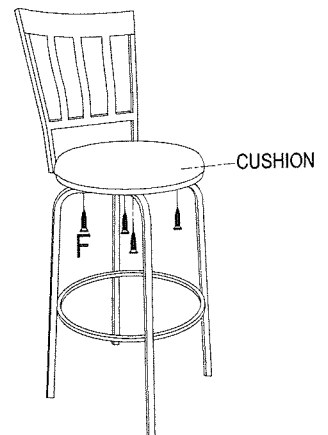
## 5 STEP:5

5) Attach swivel plate(G) with seat frame to metal leg by using 4pcs Philip head bolts(A), 4pcs Lock washers(D) 4pcs flat washers(E) as shown.

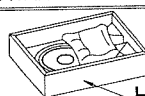


## 6 STEP:6

6) Attach cushion to metal seat frame by using 4pcs screws(F) and then assembly is complete.



IMPORTANT NOTE:  
HARDWARE PACK LOCATON



Hardware Box

HARDWARE PACK

MADE IN CHINA

CHECK THAT THE FOLLOWING PARTS ARE IN CARTON

A



Philip head bolt  
1/4"×12mm 16PCS

B



BOLT  
1/4"×25mm 2PCS

C



BOLT  
1/4"× 15mm 4PCS

D



LOCK WASHER  
1/4" 8PCS

E



FLAT WASHER  
Ø16×1.2mm 8PCS

F



SCREW  
Ø5×40mm 4PCS

G



SWIVEL PLATE  
158×158×22mm 1PC