



SELECTION MADE SIMPLE.
www.americanheritagebilliards.com

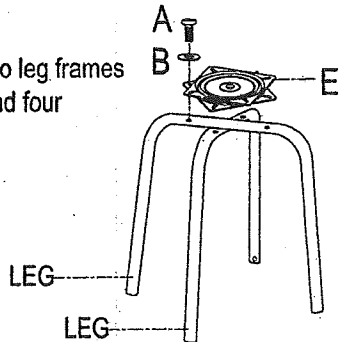
ASSEMBLY INSTRUCTIONS

MADERA/SANTINA/ANASSA/NAPA BAR STOOL

LOOSELY ATTACH EACH SCREW UNTIL FRAME IS ASSEMBLED THEN TIGHTEN WHEN COMPLETE

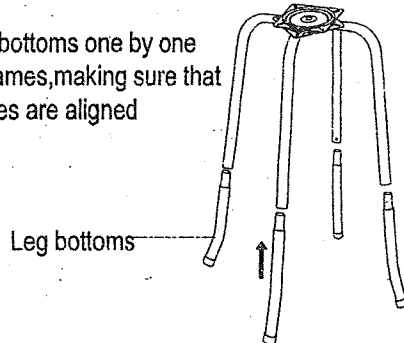
1 STEP:1

Fasten swivel plate(E) to leg frames by using four bolts(A) and four washers(B), as shown.



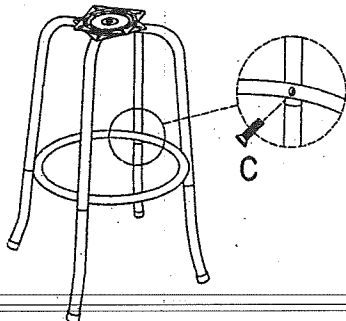
2 STEP:2

Insert the leg bottoms one by one into the leg frames, making sure that the screw holes are aligned properly.



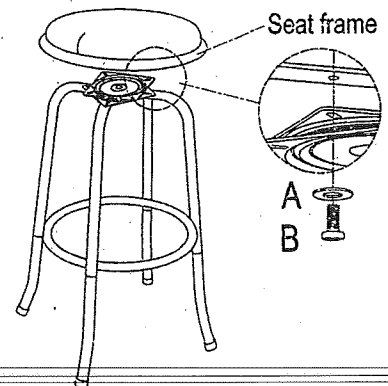
3 STEP:3

Complete leg assembly by fastening the foot-ring to the four legs using four bolts(C) and tightening securely using supplied allen wrench, as shown.



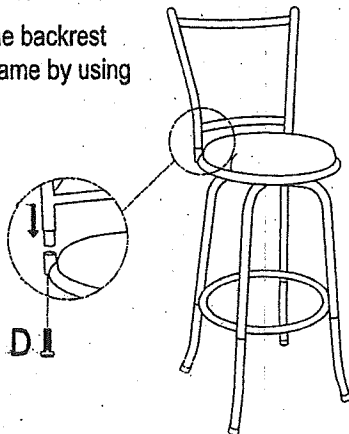
4 STEP:4

Attach seat frame with swivel plate(E) using four bolts(A) and four washers(B), as shown.



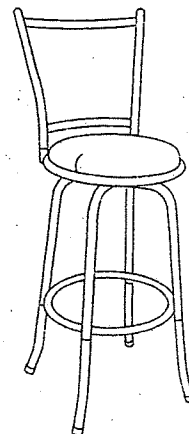
5 STEP:5

Fasten the backrest to seat frame by using bolts (D)



6 STEP:6

Assembly is complete



IMPORTANT NOTE:
HARDWARE PACK LOCATON



Hardware Box

HARDWARE PACK

MADE IN CHINA

CHECK THAT THE FOLLOWING PARTS ARE IN CARTON

A



Allen Bolt
1/4"×12mm 8PCS

B



FLAT WASHER
Ø16×1.2mm 8PCS

C



Allen Bolt
1/4"×35mm 4PCS

D



Allen Bolt
1/4"×20mm 2PCS

E



SWIVEL PLATE
160×160×20mm 1PC

F



ALLEN WRENCH