



SELECTION MADE SIMPLE.
www.americanheritagebilliards.com

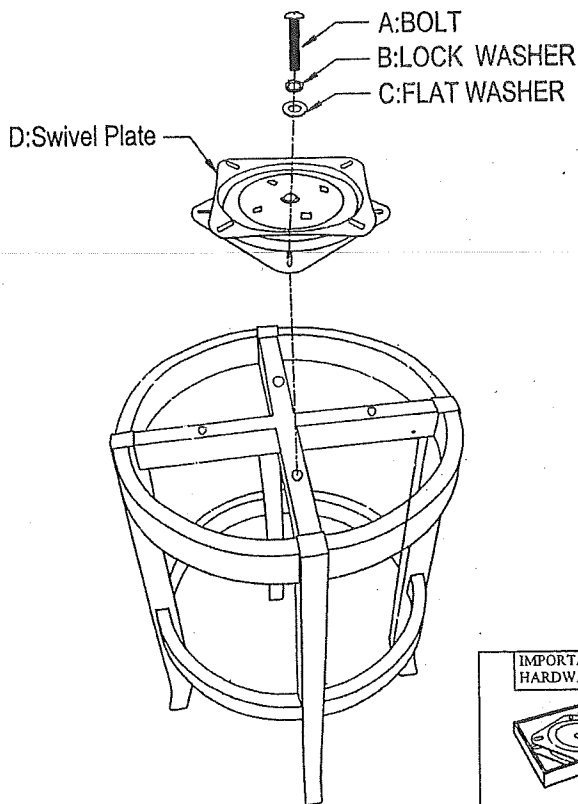
ASSEMBLY INSTRUCTIONS LIVINGSTON STOOL

LOOSELY ATTACH EACH SCREW UNTIL FRAME IS ASSEMBLED THEN TIGHTEN WHEN COMPLETE

1

STEP 1

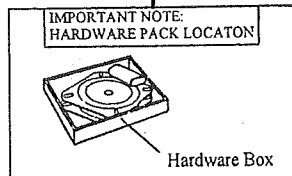
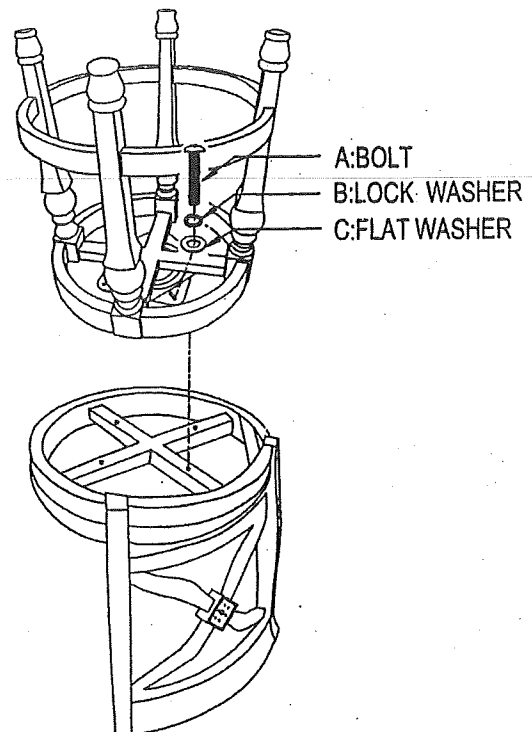
1) Attach swivel plate (D) to the bar stool base using the four short bolts (A) and then lock washer (B) & flat washer (C). Tighten all bolts evenly and then turn each bolt 1/4 turn for final fasten.



2

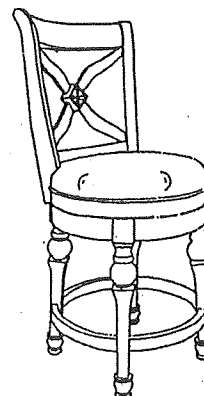
STEP 2

2) Attach bar stool seat to swivel plate, which is now attached to the bar stool base. Attach bar stool seat using four short bolt (A) and then lock washer (B) & flat washer (C). Tighten all bolts evenly and then turn each bolt 1/4 turn evenly for final fasten.



* PLEASE READ INSTRUCTION PRINTED ON SWIVEL PLATE
 HARDWARE PACK
 CHECK THAT THE FOLLOWING PARTS ARE IN CARTON

PARTS LIST				
A		BOLT	1/4"*7/8"	8PCS
B		LOCK WASHER	1/4"	8PCS
C		FLAT WASHER	1/4"*16mm	8PCS
D		SWIVEL PLATE		1PC



MADE IN CHINA