

ASSEMBLY INSTRUCTION

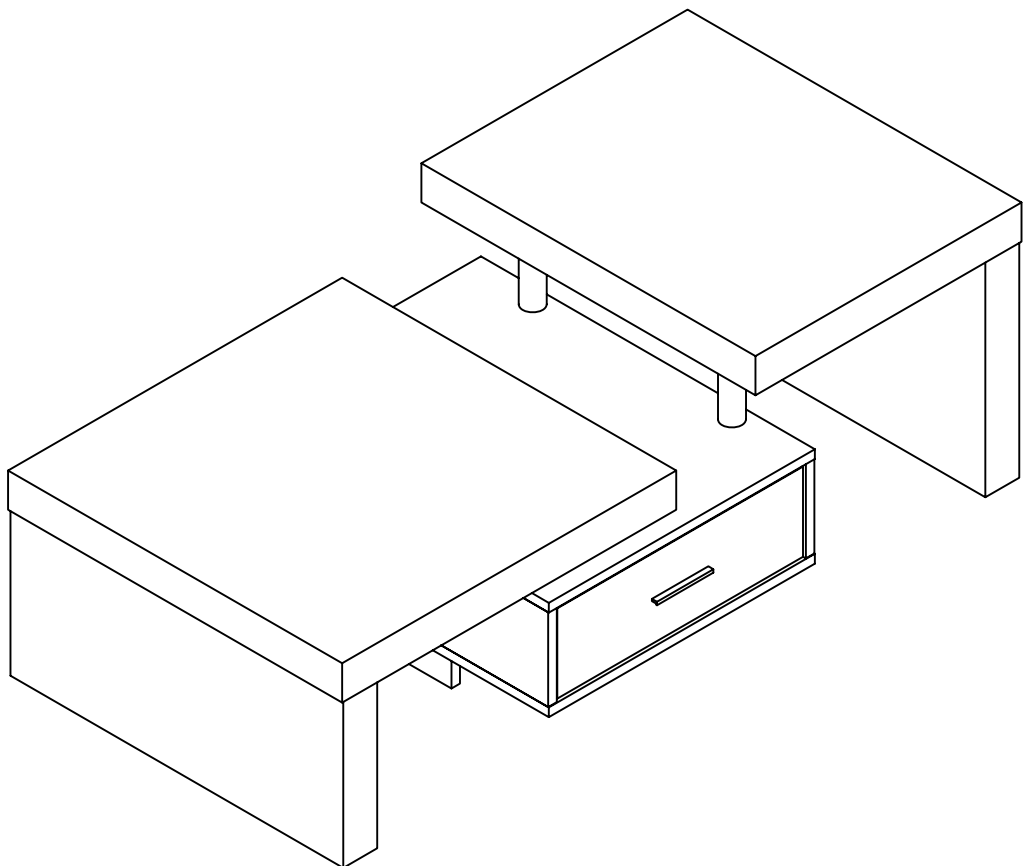
PLEASE READ BEFORE ASSEMBLING!

Tip #1: Make sure you've taken all the pieces and hardware out of its packaging before discarding the box.

Tip #2: Using page 2 and/or page 3 of instruction manual make sure all pieces and hardware are accounted for.

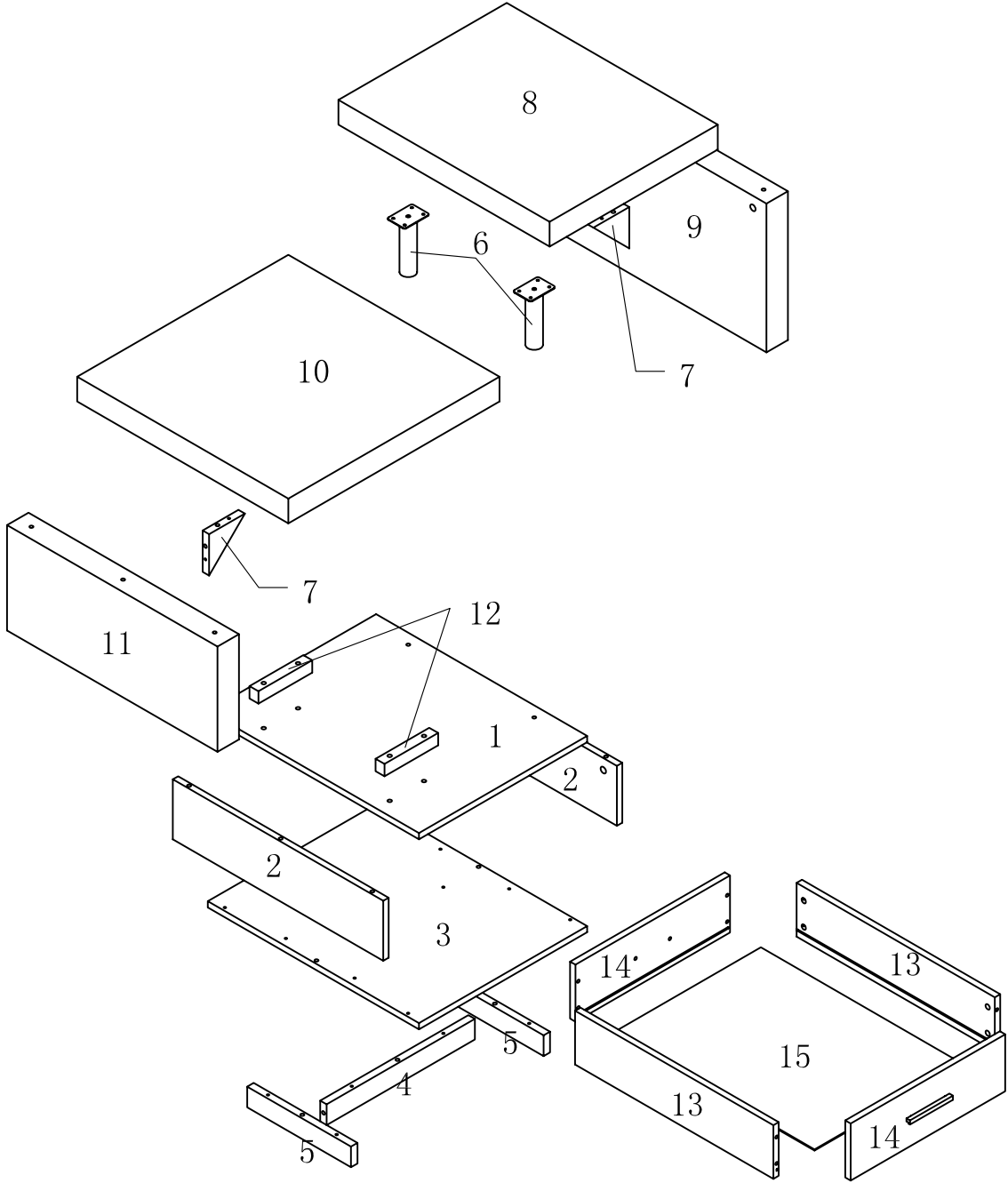
Tip #3: Read manual before assembling, it helps!

ITEM#: 10375CT



PARTS IDENTIFICATION

ITEM#: 10375CT



(1)	1pc	(6)	2pcs	(11)	1pc
(2)	2pcs	(7)	2pcs	(12)	2pcs
(3)	1pc	(8)	1pc	(13)	2pcs
(4)	1pc	(9)	1pc	(14)	2pcs
(5)	2pcs	(10)	1pc	(15)	1pc

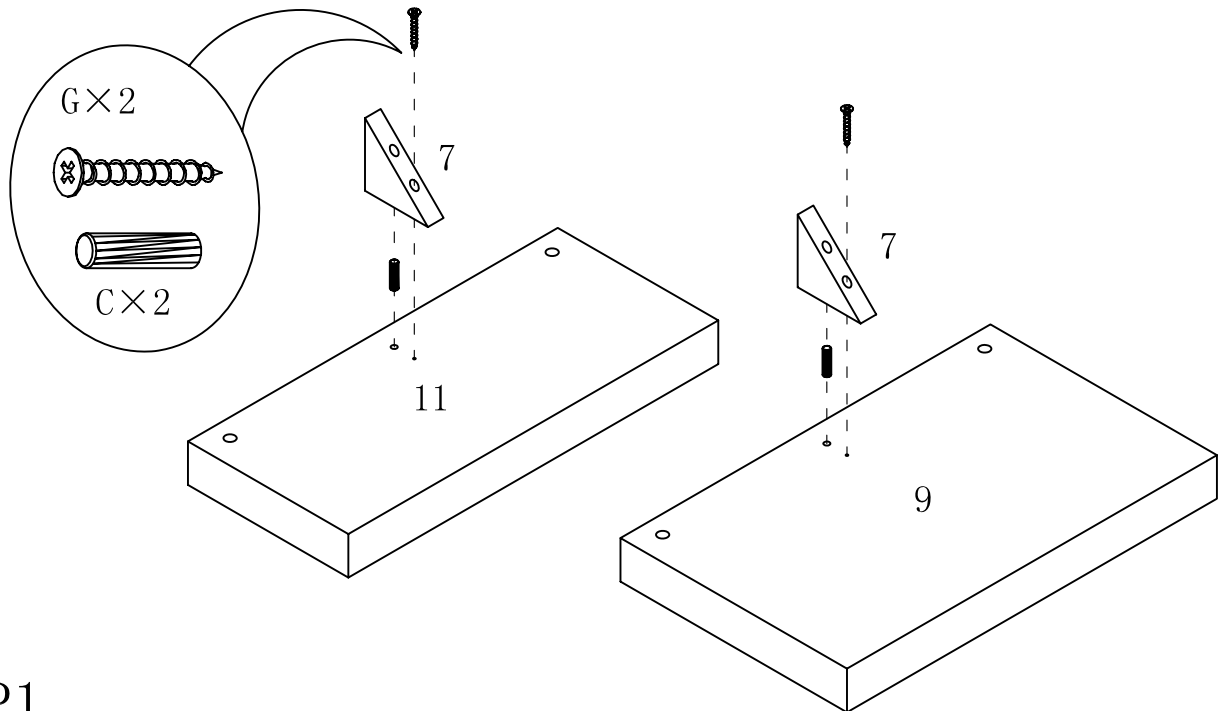
HARDWARE IDENTIFICATION

ITEM#: 10375CT

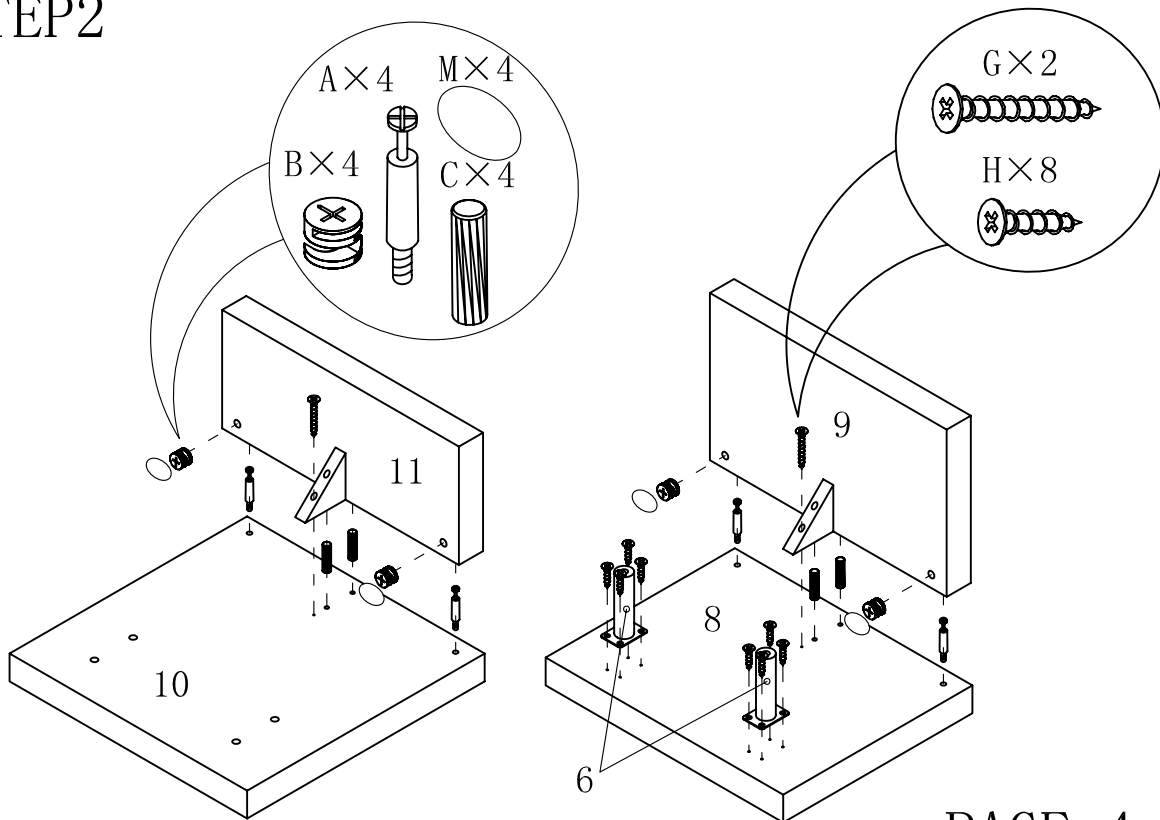
A		L29	10pcs
B		ϕ 15	10pcs
C		ϕ 8 \times 25	13pcs
D		ϕ 8 \times 60	4pcs
E		ϕ 8 \times 30	2pcs
F		M5	1pc
G		ϕ 4 \times 35	14pcs
H		ϕ 4 \times 16	8pcs
I		L20	8pcs
J		ϕ 12	8pcs
K		96#	2pcs
L		ϕ 4 \times 20	4pcs
M		ϕ 18	4pcs
N		Glue: For securing please apply to wood dowel first before inserting into panel	1pc

ASSEMBLY INSTRUCTION

ITEM#: 10375CT

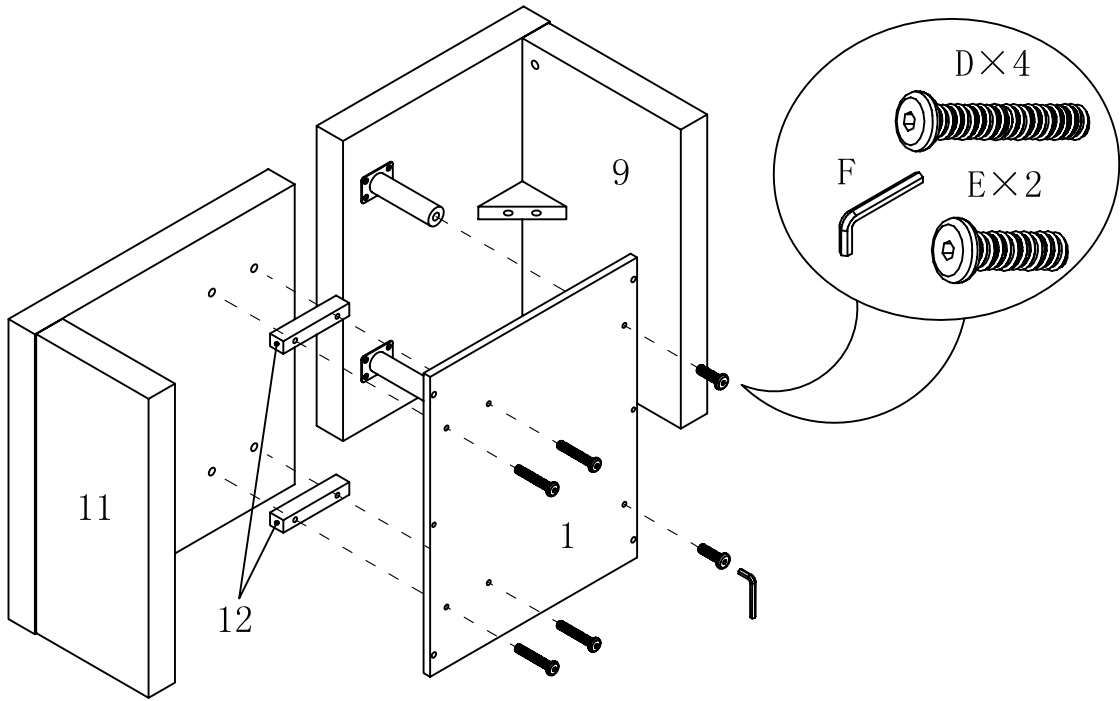


STEP 2



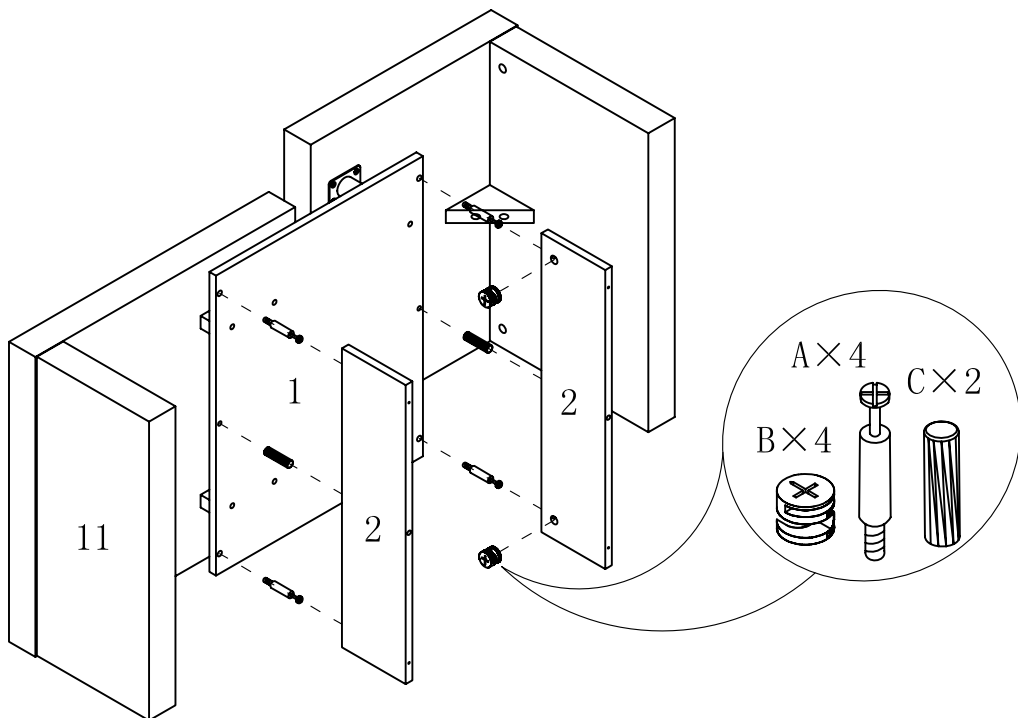
ASSEMBLY INSTRUCTION

ITEM#: 10375CT



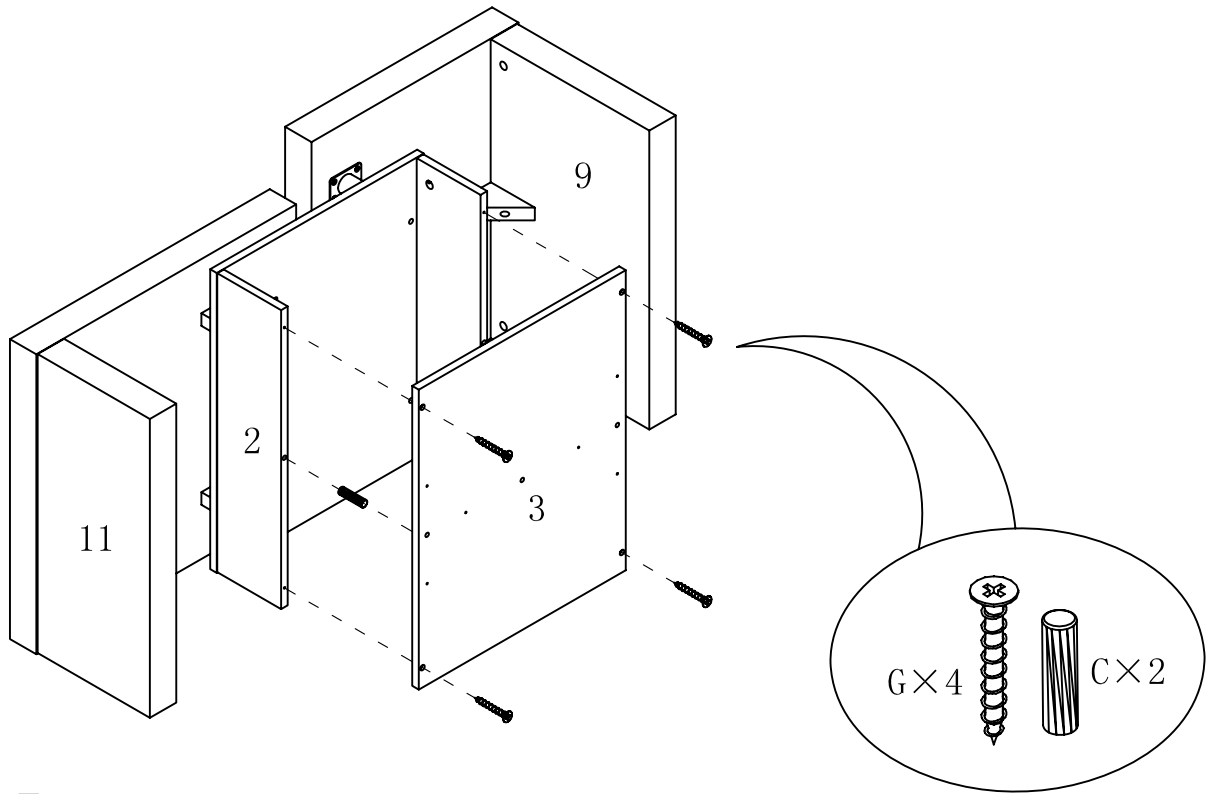
STEP3

STEP4



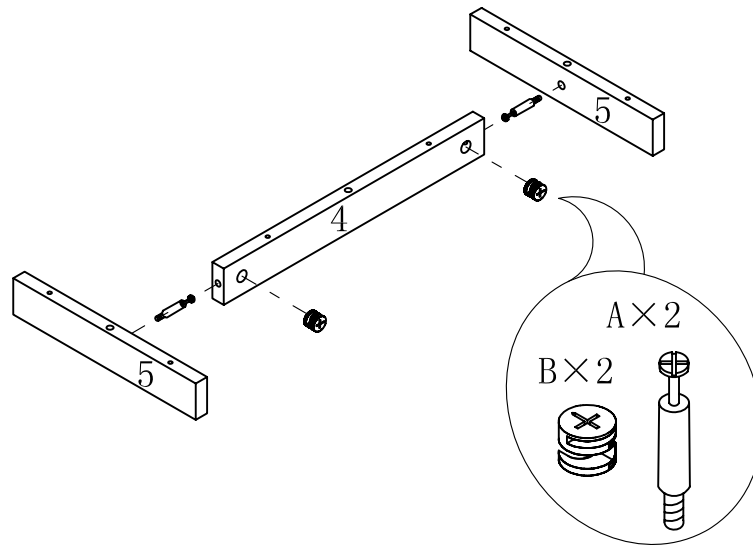
ASSEMBLY INSTRUCTION

ITEM#: 10375CT



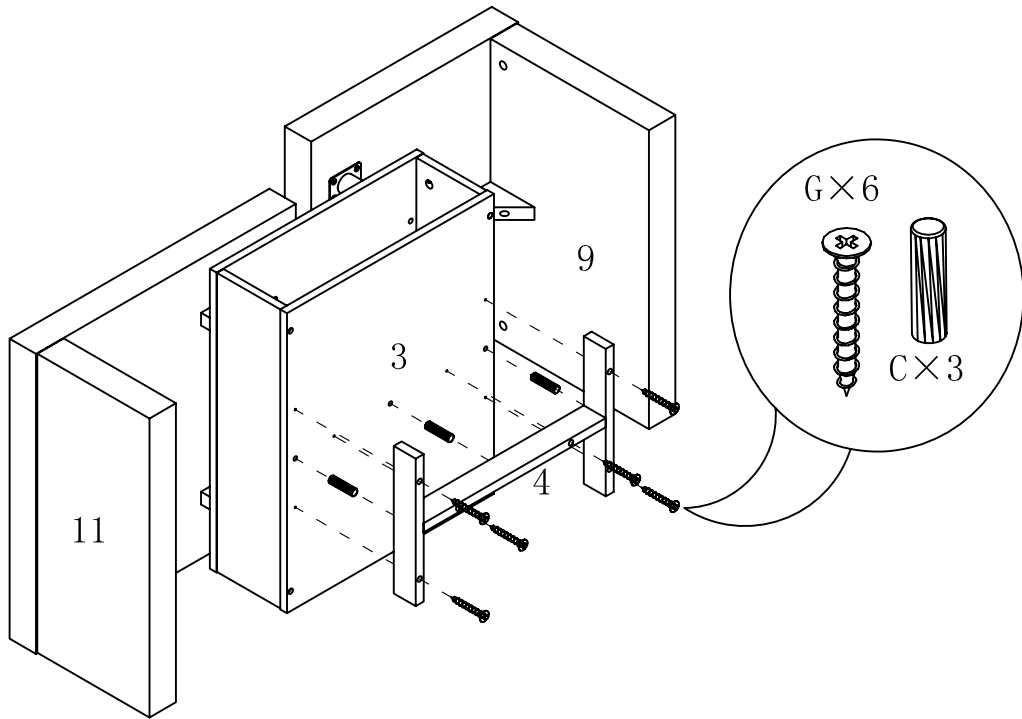
STEP5

STEP6



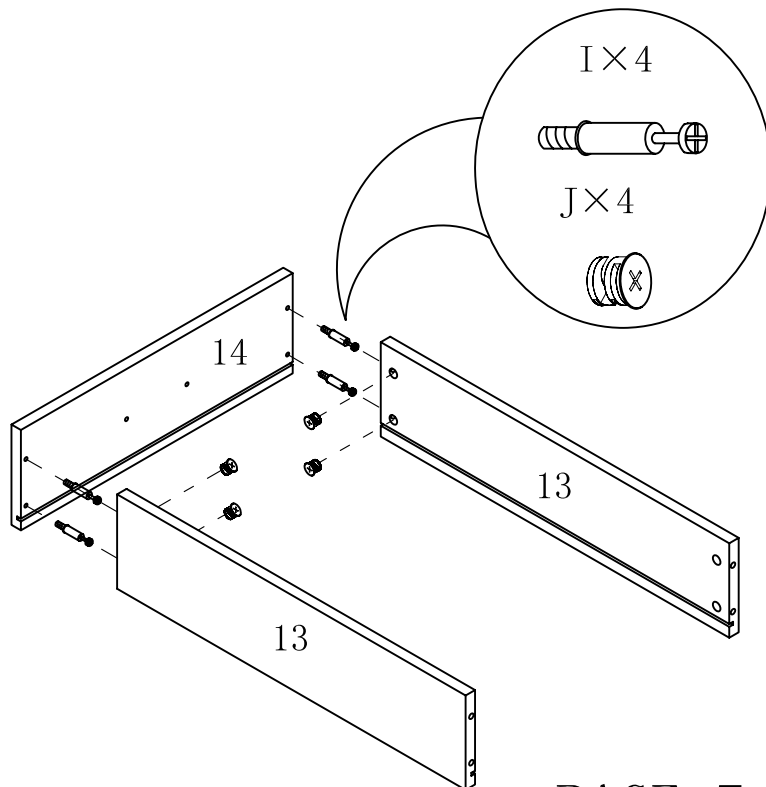
ASSEMBLY INSTRUCTION

ITEM#: 10375CT



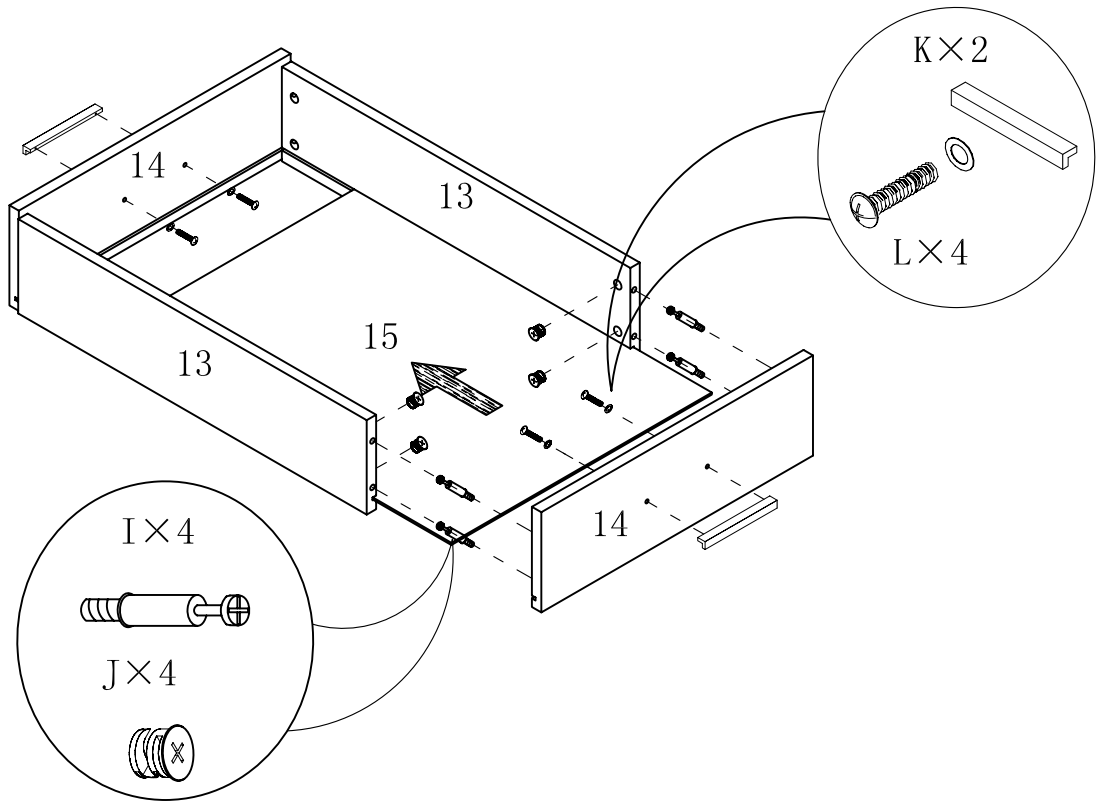
STEP7

STEP8



ASSEMBLY INSTRUCTION

ITEM#: 10375CT



STEP9

STEP10

