

ASSEMBLY INSTRUCTION

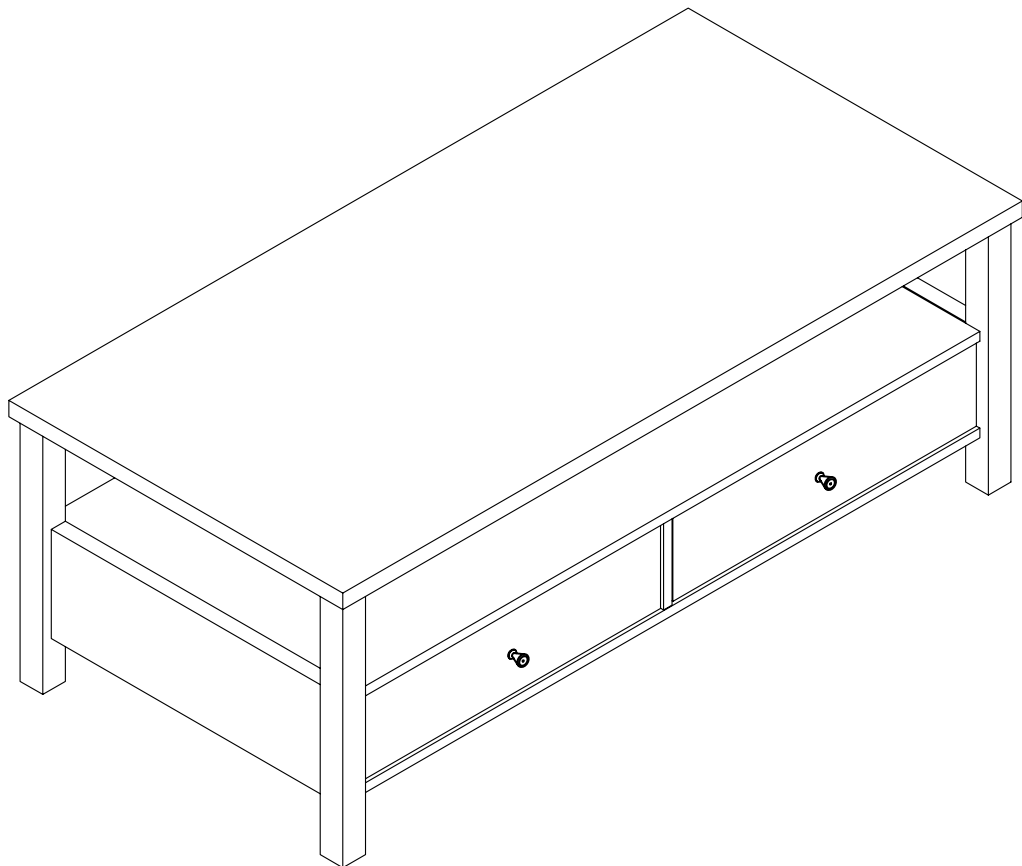
PLEASE READ BEFORE ASSEMBLING!

Tip #1: Make sure you've taken all the pieces and hardware out of its packaging before discarding the box.

Tip #2: Using page 2 and/or page 3 of instruction manual make sure all pieces and hardware are accounted for.

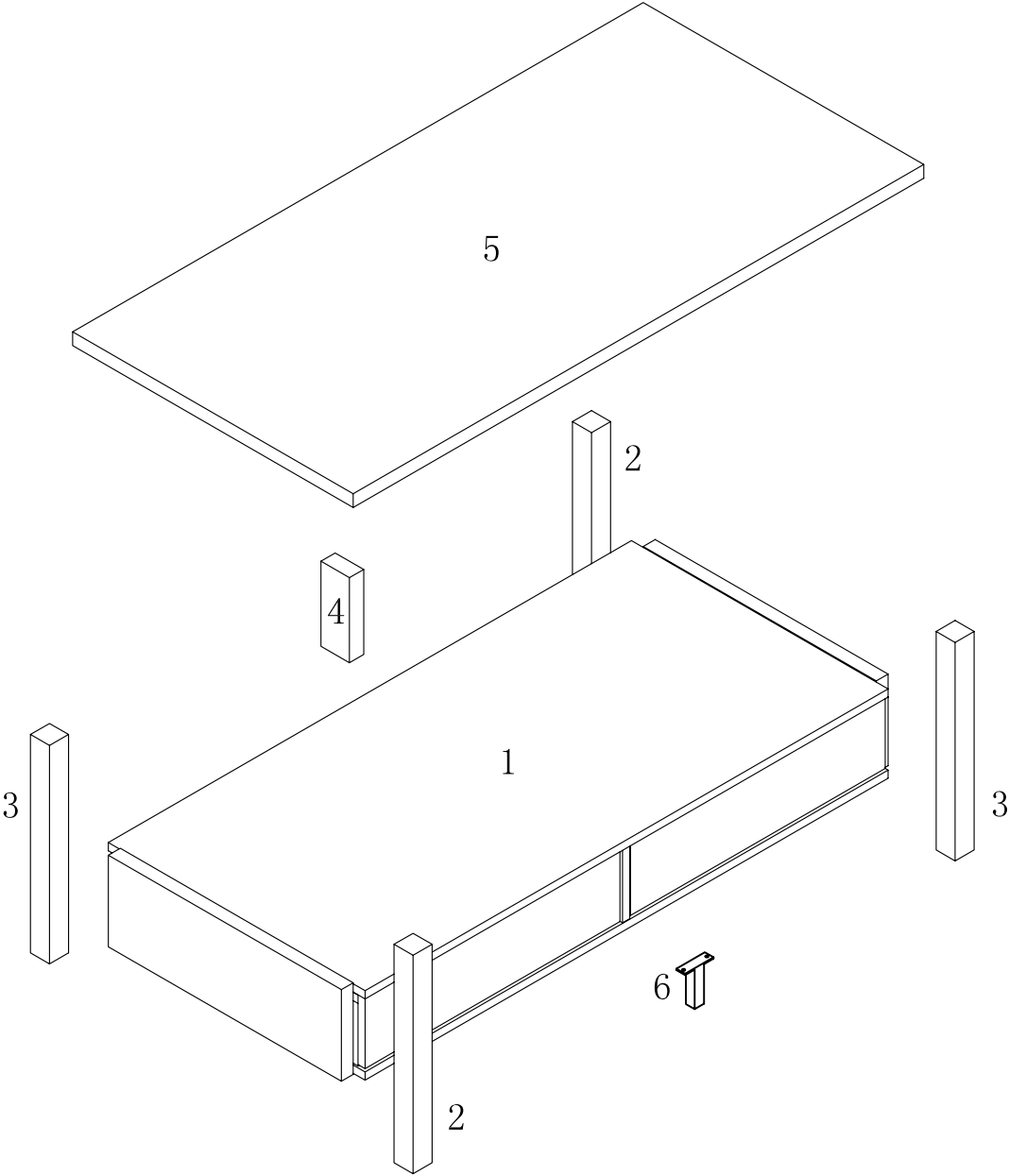
Tip #3: Read manual before assembling, it helps!

ITEM#: 27114CT



PARTS IDENTIFICATION



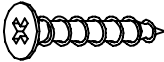
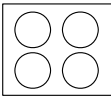
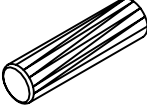

ITEM#: 27114CT



(1)	1pc	(4)	1pc
(2)	2pcs	(5)	1pc
(3)	2pcs	(6)	1pc

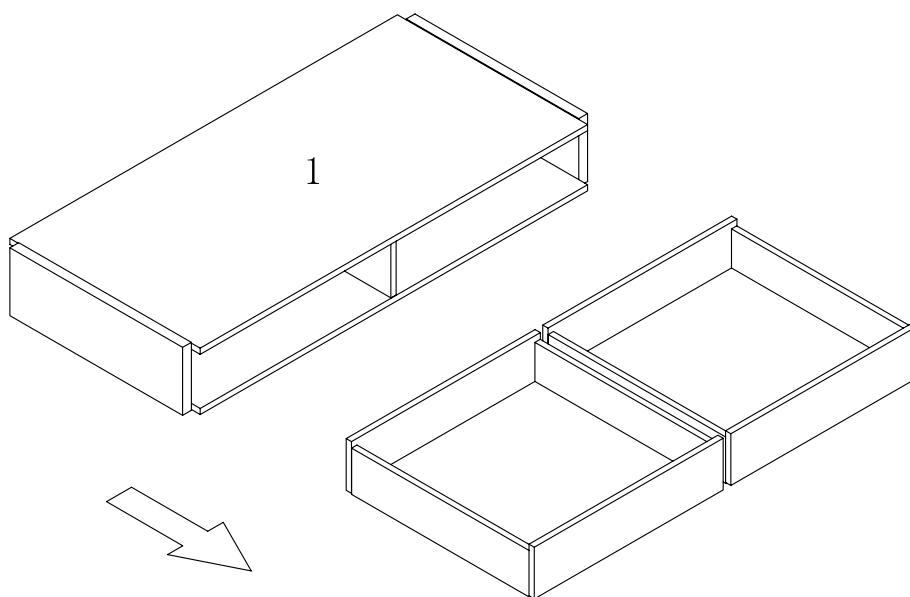
HARDWARE IDENTIFICATION

ITEM#:27114CT

A		L29	12pcs
B		$\phi 15$	12pcs
C		$\phi 4 \times 16$	2pcs
D		$\phi 18$	4pcs
E		$\phi 8 \times 25$	8pcs
F		It's used for stick the stopper to the connecting hole firmly	1pc

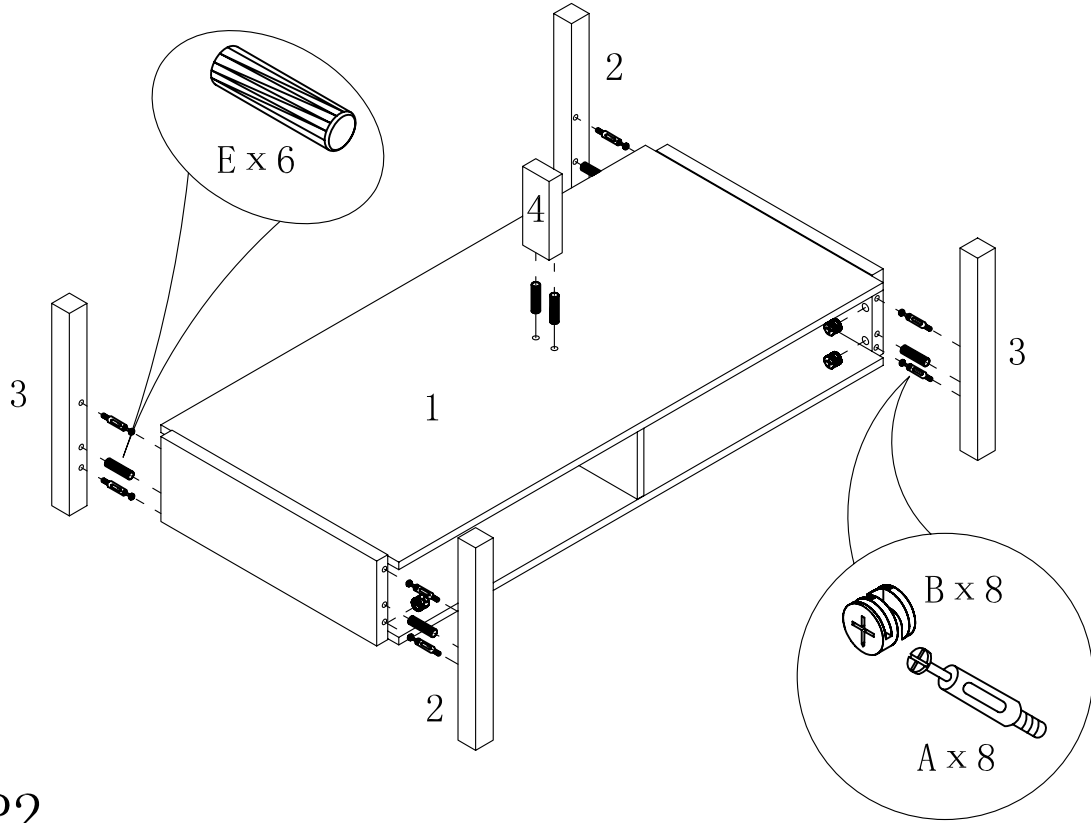
ASSEMBLY INSTRUCTION

ITEM#:27114CT



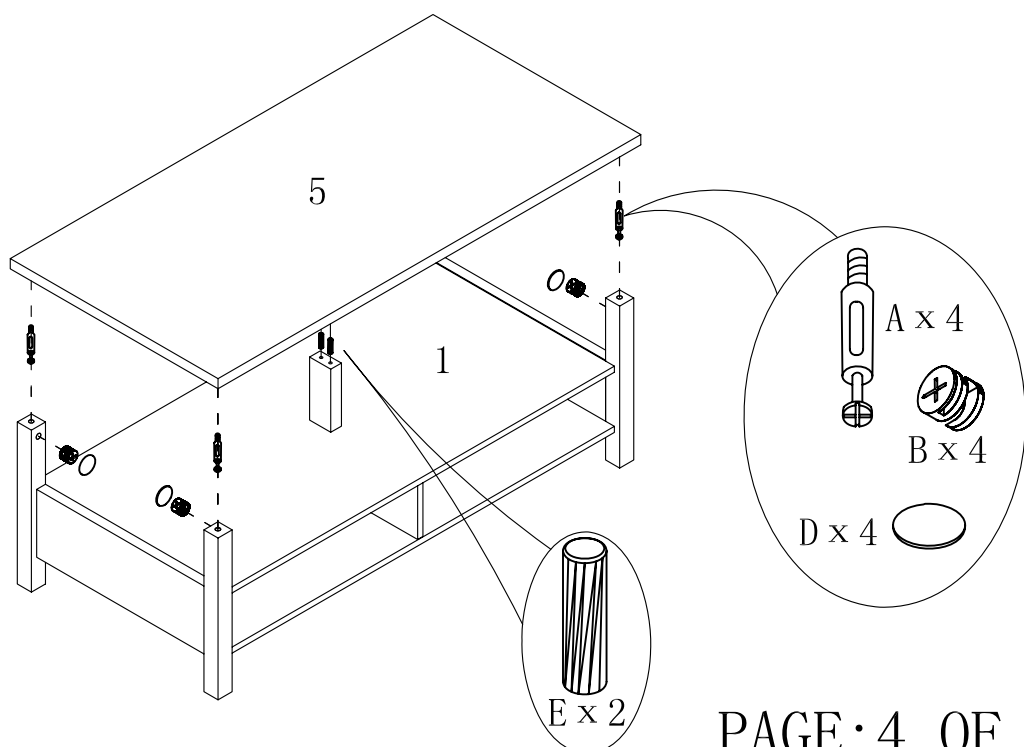
ASSEMBLY INSTRUCTION

ITEM#: 27114CT



STEP 2

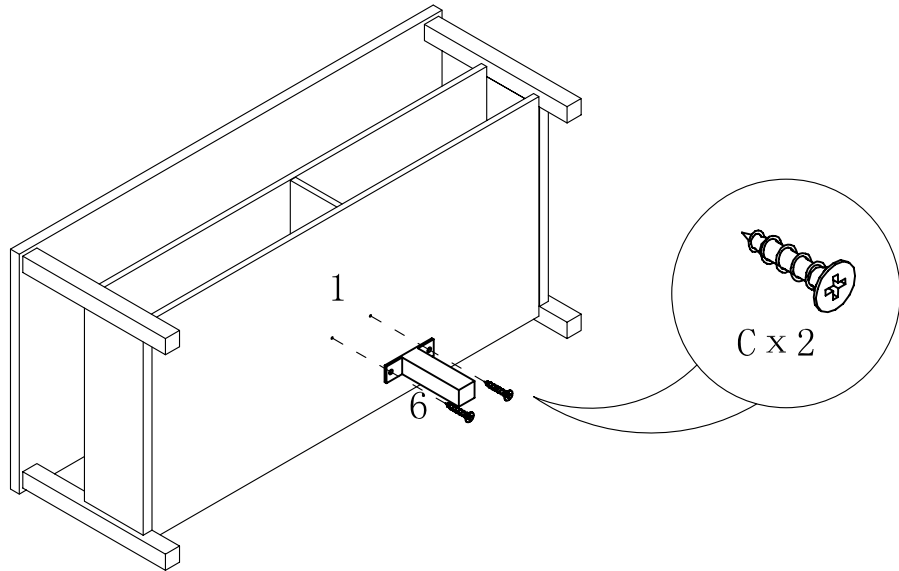
STEP 3



PAGE: 4 OF 5

ASSEMBLY INSTRUCTION

ITEM#: 27114CT



STEP 4

STEP 5

