

ASSEMBLY INSTRUCTION

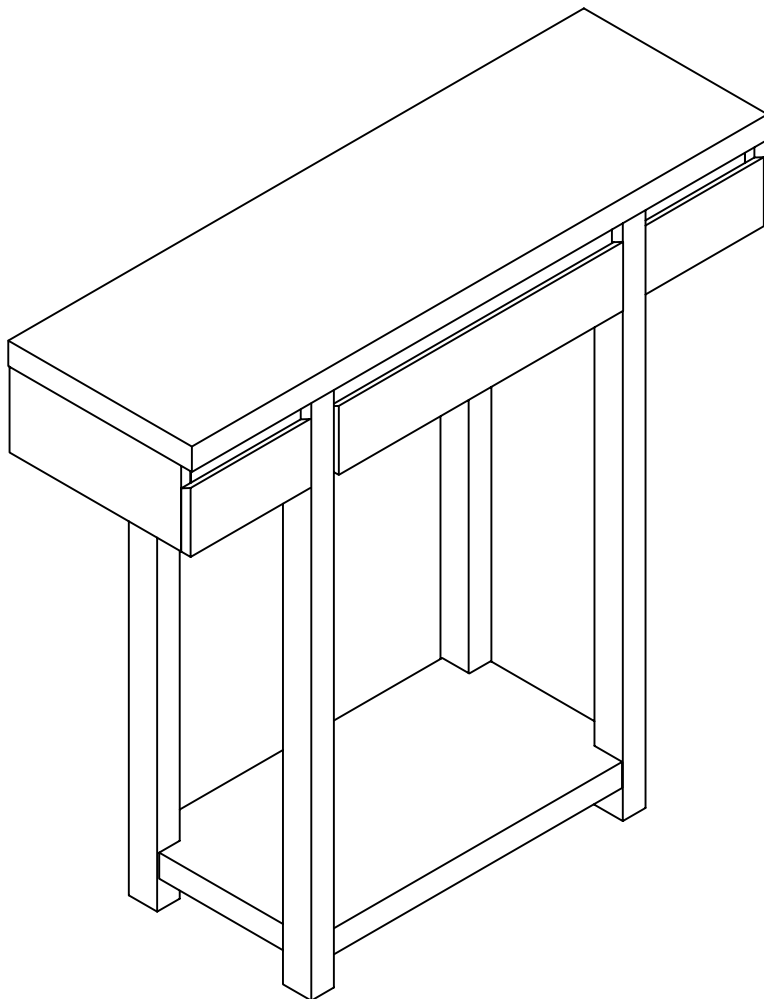
PLEASE READ BEFORE ASSEMBLING!

Tip #1: Make sure you've taken all the pieces and hardware out of its packaging before discarding the box.

Tip #2: Using page 2 and/or page 3 of instruction manual make sure all pieces and hardware are accounted for.

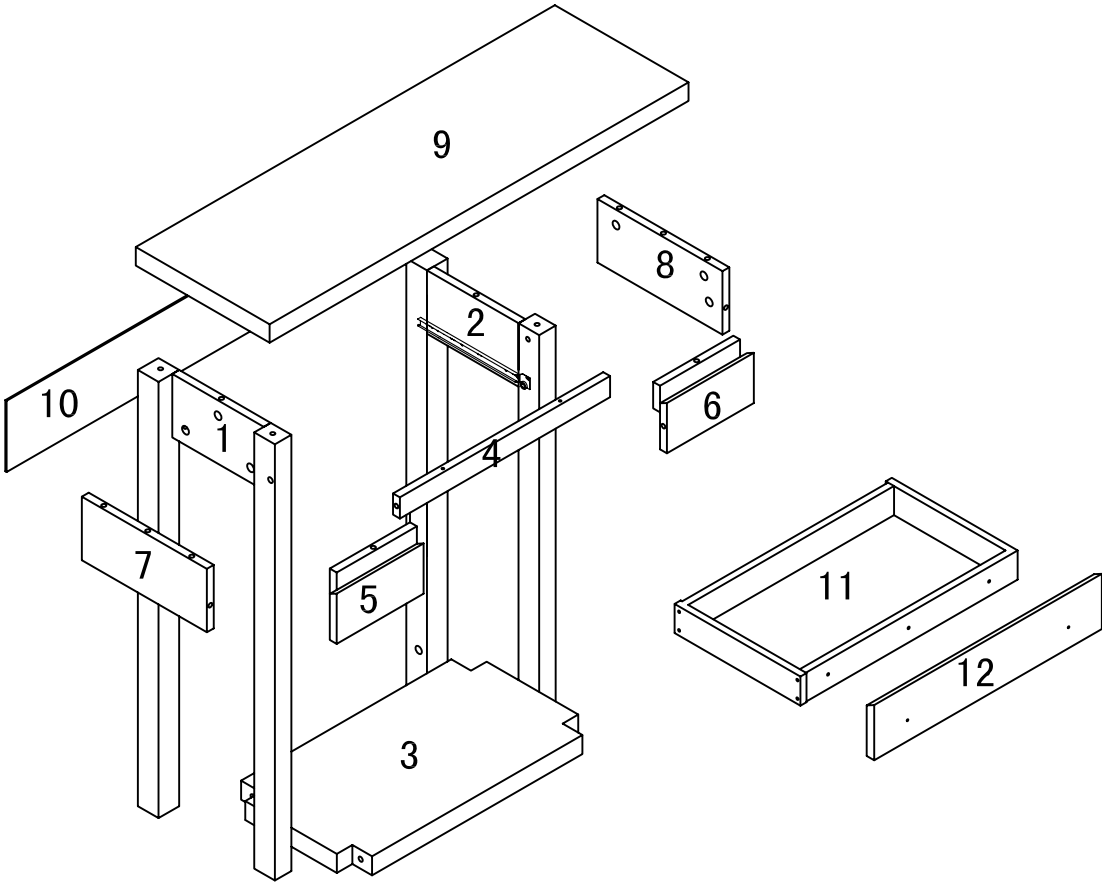
Tip #3: Read manual before assembling, it helps!

ITEM#: 10341



PARTS IDENTIFICATION


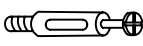

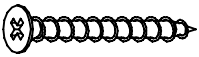
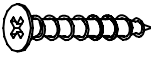






ITEM#: 10341



(1)	1pc	(6)	1pc	(11)	1pc
(2)	1pc	(7)	1pc	(12)	1pc
(3)	1pc	(8)	1pc		
(4)	1pc	(9)	1pc		
(5)	1pc	(10)	1pc		

HARDWARE IDENTIFICATION

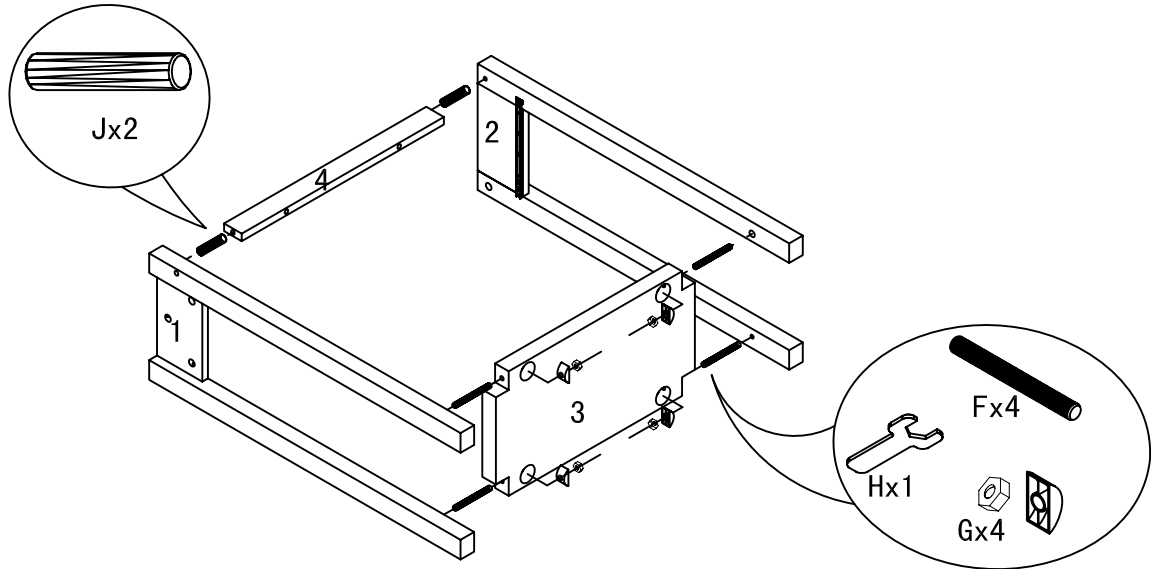
ITEM#: 10341

A		ϕ 15	12pcs
B		L29	12pcs
C		ϕ 8x25	6pcs
D		ϕ 4x50	2pcs
E		ϕ 4x25	3pcs
F		ϕ 8x70	4pcs
G		ϕ 8	4pcs
H		M13	1pc
I			14pcs
J		ϕ 6x30	2pcs
K		It's used for stick the stopper to the connecting hole firmly	1pc

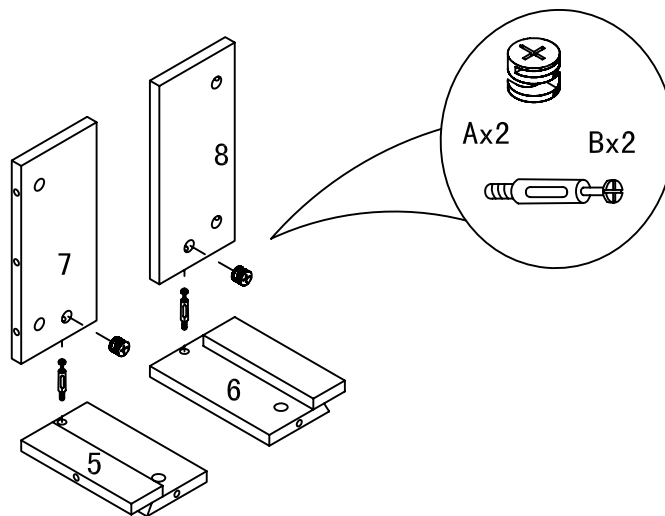
ASSEMBLY INSTRUCTION

ITEM#: 10341

STEP 1



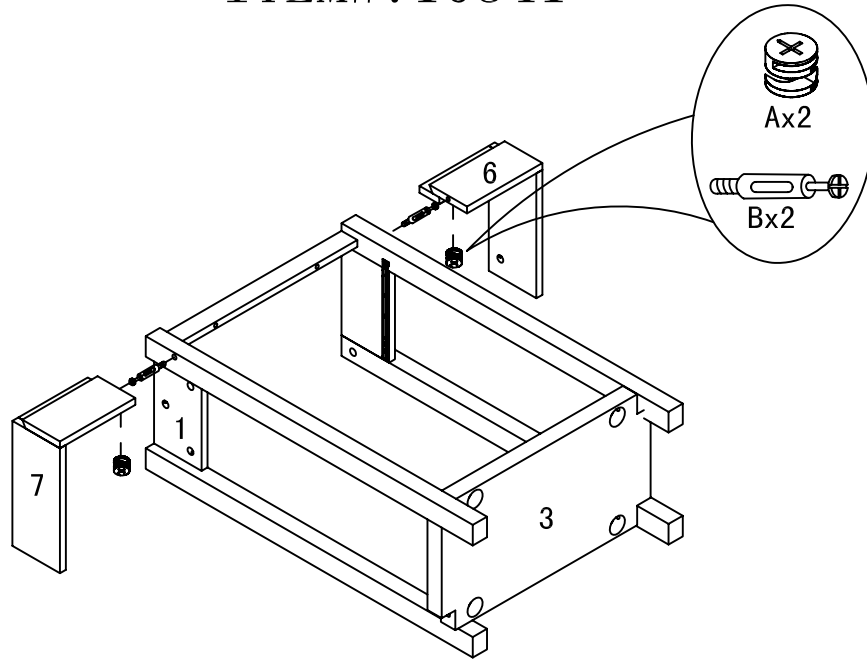
STEP 2



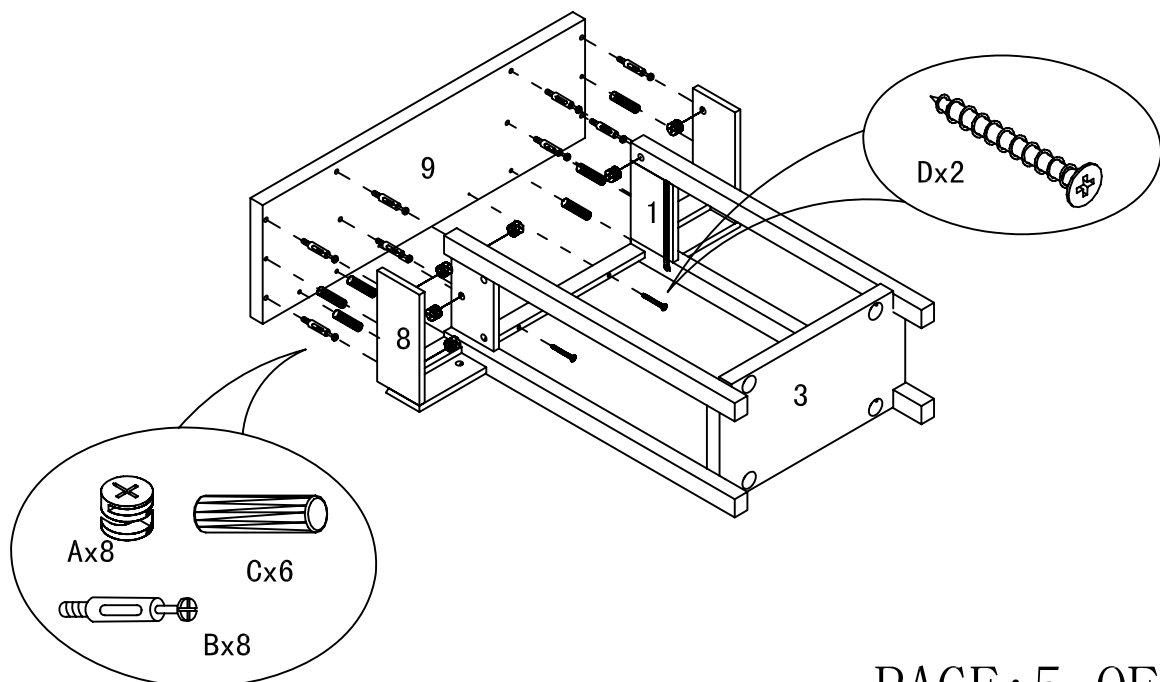
ASSEMBLY INSTRUCTION

ITEM#: 10341

STEP 3



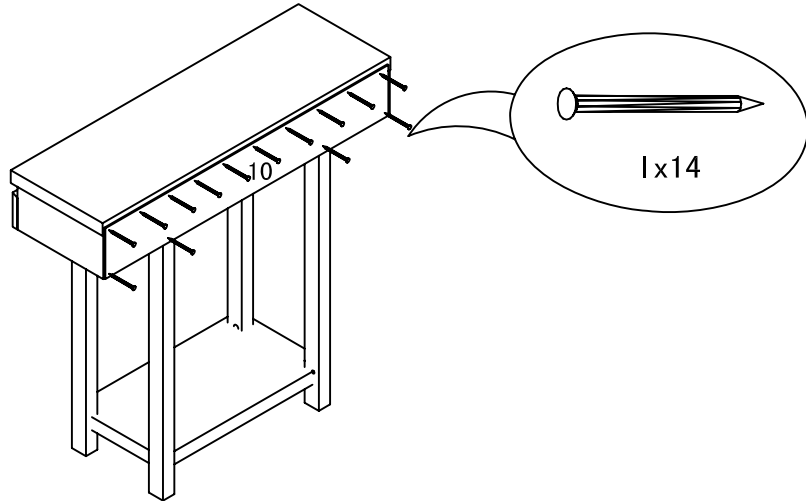
STEP 4



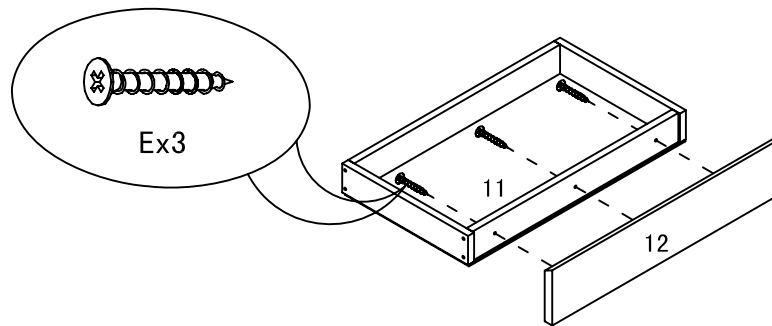
ASSEMBLY INSTRUCTION

ITEM#: 10341

STEP5



STEP6



STEP7

